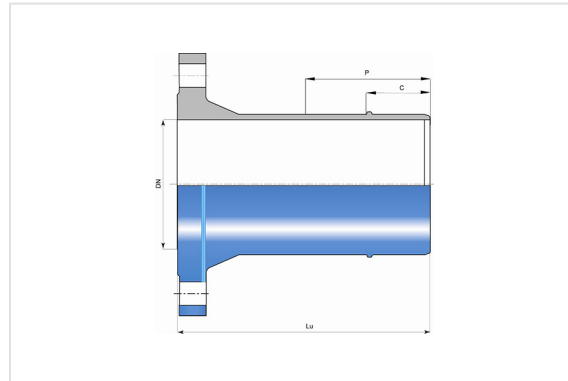


Flange Spigot (PECB) with Fixed Flange + Weld bead Ve



DN (mm)	Lu (mm)	P (mm)	Bead position c (mm)	PN 10		PN 16		PN 25	
				Mass (kg)	References	Mass (kg)	References	Mass (kg)	References
700	600	330	158	189 kg	SSB70BV10TT	187 kg	SSB70BV20TT	225 kg	SSB70BV30TT
800	600	330	148	239 kg	SSB80BV10TT	250 kg	SSB80BV20TT	291 kg	SSB80BV30TT
900	600	330	155	287 kg	SSB90BV10TT			346 kg	SSB90BV30TT
1000	600	330	165	439 kg	SSC10BV10TT				
1200	600	330	170	469 kg	SSC12BV10TT	526 kg	SSC12BV20TT		

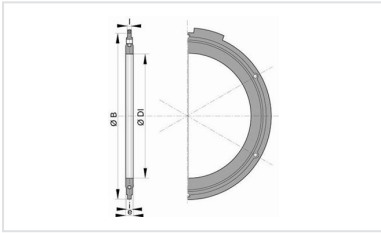
Field of use:

- For drinking water networks

Main characteristics:

- External and internal coating : Blue epoxy powder 250 microns average thickness with a minimum of 200 microns, conforming to EN 14901 (PECB)
- In conformity with EN 545:2010 and ISO 2531:2009

Linked products



Flanged joint with hot galvanized steel bolts, nuts and washers

The information on this sketch is, to the best of our knowledge correct at the time of printing. However Saint-Gobain are constantly looking at ways of improving their products and services therefore reserve the right to change without prior notice, any of the data shown. Any orders placed will be subject to our Standard Conditions of Sale, available on request.