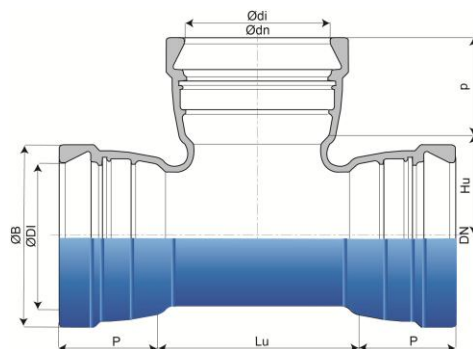


All socket tee UNIVERSAL TYTON DN250-300



DN (mm)	Ødn (mm)	Lu (mm)	P (mm)	ØDI (mm)	ØB (mm)	Hu (mm)	p (mm)	Ødi (mm)	Mass (kg)	References
250	100	200	160.6	276.5	347	170	139	120.5	58.00	SKB25TE0FTT
300	200	320	173.5	328.5	406	205	154	224.5	94.00	SKB30TE0KTT
300	300	435	173.5	328.5	406	220	173.5	328.5	118.00	SKB30TE0MTT

Field of use:

- To use under high to very high pressures
- For connecting and water supply of snow guns

Main characteristics:

- External and internal coating : Blue epoxy powder 250 microns average thickness with a minimum of 200 microns, conforming to EN 14901-1 (PECB)
- Thickness of ductile iron adapted to the pressure
- Elastomer of quality EPDM
- Class : pressure class according to EN 545 and ISO 2531