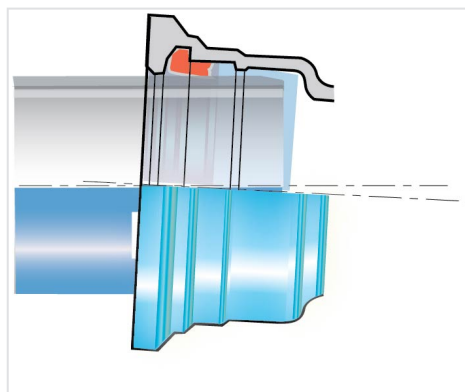


Conjunto Tê 2 bocas Standard/ flange PECB + Junta Standard



Diâmetro 1	Diâmetro 2	Peso do Kit	Referência
60	60	9.92 kg	SSA60UD1CTT-E00
80	80	10.5 kg	SSA80UD1ATT-E00
80	80	11.4 kg	SSA80UD1CTT-E00
80	80	12.8 kg	SSA80UD1ETT-E00
100	100	12.4 kg	SSB10UD1ATT-E00
100	100	13.3 kg	SSB10UD1CTT-E00
100	100	15 kg	SSB10UD1ETT-E00
100	100	16.8 kg	SSB10UD1FTT-E00
125	125	15.68 kg	SSB12UD1CTT-E00
125	125	17.28 kg	SSB12UD1ETT-E00
125	125	18.98 kg	SSB12UD1FTT-E00
125	125	23.48 kg	SSB12UD1GTT-E00
150	150	17.68 kg	SSB15UD1ATT-E00
150	150	18.58 kg	SSB15UD1CTT-E00
150	150	20.18 kg	SSB15UD1ETT-E00
150	150	21.98 kg	SSB15UD1FTT-E00
150	150	30.08 kg	SSB15UD1JTT-E00
200	200	26.76 kg	SSB20UD1CTT-E00
200	200	27.76 kg	SSB20UD1ETT-E00
200	200	29.86 kg	SSB20UD1FTT-E00
200	200	35.66 kg	SSB20UD1JTT-E00
200	200	45.46 kg	SSB20UD1KTT-E00

Diâmetro 1	Diâmetro 2	Peso do Kit	Referência
200	200	45.36 kg	SSB20UD2KTT-E00
250	250	32.4 kg	SSB25UD1CTT2-E00
250	250	32.3 kg	SSB25UD1ETT2-E00
250	250	33.8 kg	SSB25UV1FTT2-E00
250	250	40 kg	SSB25UD1JTT2-E00
250	250	48 kg	SSB25UD1KTT2-E00
250	250	48.2 kg	SSB25UD2KTT2-E00
250	250	56.8 kg	SSB25UD1LTT2-E00
250	250	56.8 kg	SSB25UD2LTT2-E00
300	300	43.12 kg	SSB30UD1CTT2-E00
300	300	42.92 kg	SSB30UD1ETT2-E00
300	300	43.22 kg	SSB30UV1FTT2-E00
300	300	50.22 kg	SSB30UD1JTT2-E00
300	300	59.72 kg	SSB30UD1KTT2-E00
300	300	59.92 kg	SSB30UD2KTT2-E00
300	300	69.32 kg	SSB30UD2LTT2-E00
300	300	80.52 kg	SSB30UD1MTT2-E00
300	300	80.02 kg	SSB30UD2MTT2-E00
350	350	50.21 kg	SSB35UD1CTT2-E00
350	350	50.21 kg	SSB35UD3CTT2-E00
350	350	51.89 kg	SSB35UD1ETT2-E00
350	350	73.6 kg	SSB35UV1FTT-E00
350	350	61.65 kg	SSB35UD1JTT2-E00
350	350	63.75 kg	SSB35UD3JTT2-E00
350	350	68.3 kg	SSB35UD1KTT2-E00
350	350	68.5 kg	SSB35UD2KTT2-E00
350	350	69.8 kg	SSB35UD3KTT2-E00
350	350	80.3 kg	SSB35UD1LTT2-E00
350	350	80.3 kg	SSB35UD2LTT2-E00
350	350	86.6 kg	SSB35UD1MTT2-E00
350	350	86.1 kg	SSB35UD2MTT2-E00
350	350	132.8 kg	SSB35UD1YTT-E00
350	350	133.8 kg	SSB35UD2YTT-E00
400	400	63.16 kg	SSB40UD1ETT2-E00

Diâmetro 1	Diâmetro 2	Peso do Kit	Referência
400	400	69.15 kg	SSB40UV1FTT2-E00
400	400	70.62 kg	SSB40UD1JTT2-E00
400	400	79.55 kg	SSB40UD1KTT2-E00
400	400	79.76 kg	SSB40UD2KTT2-E00
400	400	92.88 kg	SSB40UD1LTT2-E00
400	400	92.88 kg	SSB40UD2LTT2-E00
400	400	95.61 kg	SSB40UD3LTT2-E00
400	400	99.71 kg	SSB40UD1MTT2-E00
400	400	99.18 kg	SSB40UD2MTT2-E00
400	400	123.75 kg	SSB40UD1NTT2-E00
400	400	128.48 kg	SSB40UD2NTT2-E00
400	400	137.93 kg	SSB40UD3NTT2-E00
450	450	80.55 kg	SSB45UV1FTT2-E00
450	450	81.92 kg	SSB45UV3FTT2-E00
450	450	89.27 kg	SSB45UD1JTT2-E00
450	450	91.37 kg	SSB45UD3JTT2-E00
450	450	203.64 kg	SSB45UD1PTT-E00
450	450	209.64 kg	SSB45UD2PTT-E00
500	500	91.81 kg	SSB50UV1FTT2-E00
500	500	93.17 kg	SSB50UV3FTT2-E00
500	500	135.28 kg	SSB50UD1JTT-E00
500	500	137.28 kg	SSB50UD3JTT-E00
500	500	111.88 kg	SSB50UD1KTT2-E00
500	500	112.08 kg	SSB50UD2KTT2-E00
500	500	113.48 kg	SSB50UD3KTT2-E00
500	500	152.68 kg	SSB50UD1LTT-E00
500	500	191.08 kg	SSB50UD2MTT-E00
500	500	162.18 kg	SSB50UD1NTT2-E00
500	500	166.88 kg	SSB50UD2NTT2-E00
500	500	259.39 kg	SSB50UD1QTT2-E00
500	500	428.44 kg	SSB50UD2QTT2-E00
600	600	126.82 kg	SSB60UV1FTT2-E00
600	600	128.22 kg	SSB60UV3FTT2-E00
600	600	172.32 kg	SSB60UD1JTT-E00

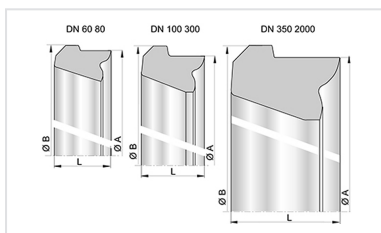
Diâmetro 1	Diâmetro 2	Peso do Kit	Referência
600	600	166.86 kg	SSB60UV1KTT2-E00
600	600	181.04 kg	SSB60UV3KTT2-E00
600	600	234.62 kg	SSB60UD1MTT-E00
600	600	233.92 kg	SSB60UD2MTT-E00
600	600	212.32 kg	SSB60UD1NTT2-E00
600	600	217.32 kg	SSB60UD2NTT2-E00
700	700	267.94 kg	SSB70UD1JTT-E00
700	700	265.87 kg	SSB70UD3JTT-E00
700	700	267.87 kg	SSB70UD1KTT-E00
700	700	349.87 kg	SSB70UD1NTT-E00
700	700	356.74 kg	SSB70UD2NTT-E00
700	700	476.87 kg	SSB70UD1RTT-E00
700	700	501.87 kg	SSB70UD2RTT-E00
700	700	504.87 kg	SSB70UD3RTT-E00
800	800	339.34 kg	SSB80UD1JTT-E00
800	800	336.67 kg	SSB80UD3JTT-E00
800	800	339.67 kg	SSB80UD2KTT-E00
800	800	353.67 kg	SSB80UV1LTT-E00
800	800	433.67 kg	SSB80UD1NTT-E00
800	800	442.34 kg	SSB80UD2NTT-E00
800	800	620.67 kg	SSB80UD1RTT-E00
800	800	645.67 kg	SSB80UD2RTT-E00
800	800	648.67 kg	SSB80UD3RTT-E00
900	900	424.61 kg	SSB90UD1KTT-E00
900	900	423.61 kg	SSB90UD2KTT-E00
900	900	478.61 kg	SSB90UV1LTT-E00
900	900	536.61 kg	SSB90UD1NTT-E00
900	900	540.61 kg	SSB90UD2NTT-E00
900	900	549.61 kg	SSB90UD3NTT-E00
900	900	802.61 kg	SSB90UD1RTT-E00
900	900	827.61 kg	SSB90UD2RTT-E00
900	900	830.61 kg	SSB90UD3RTT-E00
1000	1000	458.18 kg	SSC10UD1JTT-E00
1000	1000	521.18 kg	SSC10UD1KTT-E00

Diâmetro 1	Diâmetro 2	Peso do Kit	Referência
1000	1000	521.18 kg	SSC10UD2KTT-E00
1000	1000	523.18 kg	SSC10UD3KTT-E00
1000	1000	531.18 kg	SSC10UV1LTT-E00
1000	1000	530.18 kg	SSC10UV2LTT-E00
1000	1000	533.18 kg	SSC10UV3LTT-E00
1000	1000	580.18 kg	SSC10UD2MTT-E00
1000	1000	585.18 kg	SSC10UD3MTT-E00
1000	1000	650.18 kg	SSC10UD1NTT-E00
1000	1000	655.18 kg	SSC10UD2NTT-E00
1000	1000	664.18 kg	SSC10UD3NTT-E00
1000	1000	1018.18 kg	SSC10UD1RTT-E00
1000	1000	1043.18 kg	SSC10UD2RTT-E00
1000	1000	1046.18 kg	SSC10UD3RTT-E00
1200	1200	968.68 kg	SSC12UV2LTT-E00

DN mm	Classe	PFA bar
60	C40	40
80	C40	40
100	C40	40
125	C40	40
150	C40	40
200	C40	40
250	C40	40
300	C40	40
350	C30	30
400	C30	30
450	C30	30
500	C30	30
600	C30	30
700	C25	25
800	C25	25
900	C25	25
1000	C25	25

DN mm	Classe	PFA bar
1100	C25	25
1200	C25	25
1400	C25	25
1500	C25	25
1600	C25	25
1800	C25	25
2000	C25	25

Produtos associados



Junta Standard Junta para
Tubos e acessórios
DN60-2000