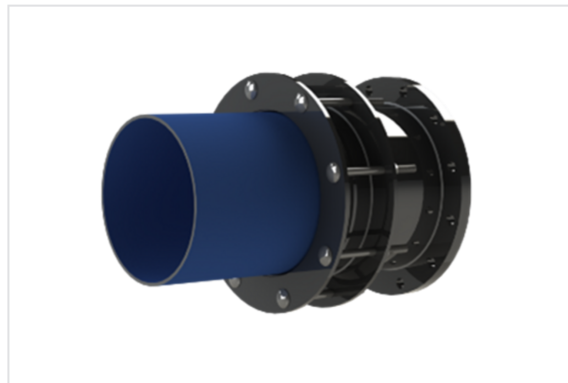


RFLEX - Flange Adaptor Large Tolerance Simple



- DN350 – DN1200 (OD 340 mm to OD 1268 mm) **
- PN10, PN16 **
- Grey & ductile cast iron, Steel, Pressure PVC*, PE*
- Drinking water and raw water
- Carbon steel body coated with RILSAN® 11, thickness 250µ
- EPDM gasket (drinking water/raw water) or NBR gasket (wastewater)
- GEOMET steel or A2 stainless steel tie rods (optional)
- EN1092 flange
- Tolerance 24 to 30 mm depending on DN
- Angular deviation $\pm 3^\circ$ DN350-DN700
- Angular deviation $\pm 2^\circ$ DN800-DN900
- Angular deviation $\pm 1.5^\circ$ DN1000 and above

*** For other DN, PN, and PFA, please contact us*

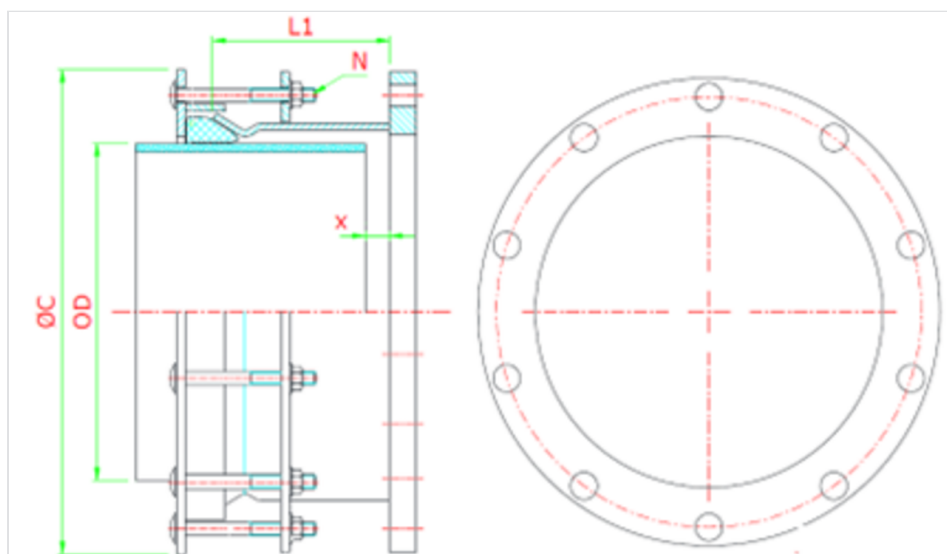
The RFLEX range of multi-material, wide tolerance flange adapters guarantees a tight seal and tensile strength on all types of cast iron/steel pipes and PVC/PE pipes from DN350 to DN1200 PN10 to PN16.

The tie rods compress the seals to achieve a perfect seal. The seal is truncated conical, which ensures optimal positioning on the pipe while allowing a tolerance of up to 24 mm (DN>600) or 30 mm (DN<600) on the outside diameter.

The part is coated with RILSAN®11, a high-performance biological polyamide made from castor beans. This coating offers an exceptional level of versatility, safety, durability, and resistance to permeation.

RFLEX

DN	J Mini - Maxi	L1 (mm)	ØC (mm)	Número	X mini/X maxi (mm)	PN 10		PN 16	
						Peso liquido	Referência	Peso liquido	Referência
350	365-395	216	571	10	20-160	64,00	MAB35D395XCBRG	64,00	MAB35D395XCARG
400	410-440	216	616	10	20-160	75,00	MAB40D440XCBRG	75,00	MAB40D440XCARG
450	465-495	216	671	12	20-160	90,00	MAB45D495XCBRG	90,00	MAB45D495XCARG
500	518-548	216	724	12	20-160	112,00	MAB50D548XCBRG	112,00	MAB50D548XCARG
600	620-650	216	826	14	20-160	152,00	MAB60D650XCBRG	152,00	MAB60D650XCARG
700	726-750	216	893	16	20-160	161,00	MAB70D750XCBRG	161,00	MAB70D750XCARG
800	824-848	216	991	18	20-160	175,00	MAB80D848XCBRG	175,00	MAB80D848XCARG
900	934-958	216	1101	20	20-160	198,00	MAB90D958XCBRG	198,00	MAB90D958XCARG
1000	1036-1060	216	1203	22	20-160	239,00	MAC10D1060XCBRG	239,00	MAC10D1060XCARG
1100	1140-1164	216	1307	24	20-160	247,00	MAC11D1164XCBRG	247,00	MAC11D1164XCARG
1200	1244-1268	216	1411	26	20-160	313,00	MAC12D1268XCBRG	313,00	MAC12D1268XCARG



Product description



1- Central body

Central part made of RILSAN[®]11-coated carbon steel. The tapered ends ensure uniform compression of the seals without creep.

2- Compression ring

RILSAN[®]11-coated carbon steel compression flange that compresses the gasket against the pipe surface when the bolts are tightened.

3- Gasket

Truncated cone-shaped gasket that fits perfectly between the fitting body and the pipe. It provides a complete seal and a tolerance of 24 or 30 mm on the pipe's OD.

4- Bolt holes

Round or square holes for the bolts.

5- Compression tie rods

Made of GEOMET-coated steel or stainless steel, they bring the two compression parts together and ensure the sleeve is sealed.

6- Connection flange

Made of RILSAN[®]11 coated carbon steel. EN1092.

Materials and coatings



Reference	Designation	Material	Coating
1	Central body	Carbon steel	RILSAN®11
2	Compression ring	Carbon steel	RILSAN®11
3	Sealing gasket	EPDM or NBR	
5	Tie rods	GEOMET steel or stainless steel	
6	Flange	Carbon steel	RILSAN®11

Installation instructions

See our [Installation Instructions](#)