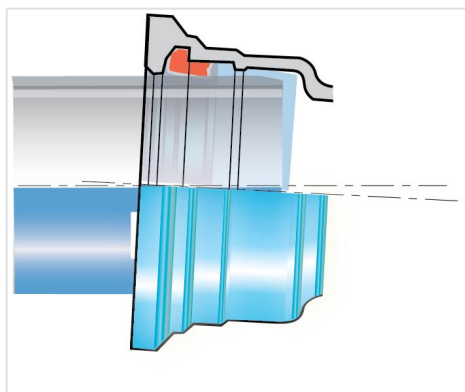


Conjunto curva Standard AQB + Junta Standard

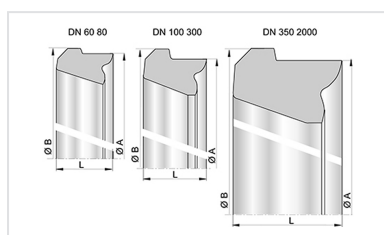


Diâmetro 1	Peso do Kit	Referência
60	6.42 kg	NSA60CA00NN2-E00
60	6.72 kg	NSA60CB00NN2-E00
60	5.12 kg	NSA60CD00NN2-E00
60	5.32 kg	NSA60CE00NN2-E00
80	7.9 kg	NSA80CA00NN2-E00
80	7.3 kg	NSA80CB00NN2-E00
80	6.5 kg	NSA80CD00NN2-E00
80	6.8 kg	NSA80CE00NN2-E00
100	10.4 kg	NSB10CA00NN2-E00
100	9.3 kg	NSB10CB00NN2-E00
100	8.2 kg	NSB10CD00NN2-E00
100	8.3 kg	NSB10CE00NN2-E00
125	12.78 kg	NSB12CB00NN2-E00
125	10.38 kg	NSB12CD00NN2-E00
125	10.78 kg	NSB12CE00NN2-E00
150	18.68 kg	NSB15CA00NN2-E00
150	16.18 kg	NSB15CB00NN2-E00
150	12.78 kg	NSB15CD00NN2-E00
150	13.18 kg	NSB15CE00NN2-E00
200	29.96 kg	NSB20CA00NN2-E00
200	24.46 kg	NSB20CB00NN2-E00
200	19.76 kg	NSB20CD00NN2-E00

Diâmetro 1	Peso do Kit	Referência
200	19.96 kg	NSB20CE00NN2-E00
250	50.6 kg	NSB25CA00NN2-E00
250	41.5 kg	NSB25CB00NN2-E00
250	33.2 kg	NSB25CD00NN2-E00
250	31.5 kg	NSB25CE00NN2-E00
300	74.12 kg	NSB30CA00NN2-E00
300	60.42 kg	NSB30CB00NN2-E00
300	43.62 kg	NSB30CD00NN2-E00
300	41.12 kg	NSB30CE00NN2-E00

DN	Classe	PFA
mm		bar
60	C40	40
80	C40	40
100	C40	40
125	C40	40
150	C40	40
200	C40	40
250	C40	40
300	C40	40

Produtos associados



Junta Standard Junta para
Tubos e acessórios
DN60-2000