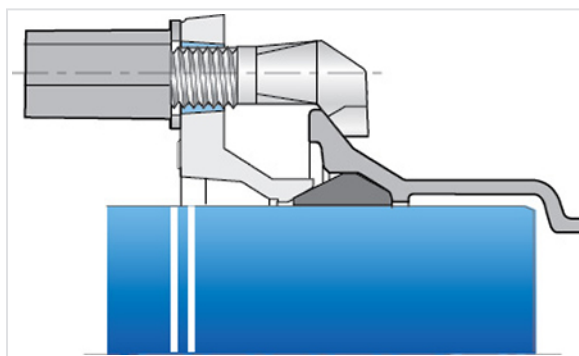


## Conjunto acessório Express AQB + Junta Express



Diâmetro 1	Peso do Kit	Referência
60	11.76 kg	NEA60CE00NN2-S00
60	11.66 kg	NEA60CD00NN2-S00
60	12.76 kg	NEA60CB00NN2-S00
60	12.46 kg	NEA60CA00NN2-S00
80	14.86 kg	NEA80CA00NN2-S00
80	14.26 kg	NEA80CB00NN2-S00
80	13.56 kg	NEA80CD00NN2-S00
80	13.76 kg	NEA80CE00NN2-S00
100	13.64 kg	NEB10CA00NN2-S00
100	12.84 kg	NEB10CB00NN2-S00
100	12.24 kg	NEB10CD00NN2-S00
125	20.12 kg	NEB12CA00NN2-S00
125	18.72 kg	NEB12CB00NN2-S00
125	17.92 kg	NEB12CD00NN2-S00
125	17.72 kg	NEB12CE00NN2-S00
150	20.98 kg	NEB15CA00NN2-S00
150	18.98 kg	NEB15CB00NN2-S00
150	17.88 kg	NEB15CD00NN2-S00
150	17.48 kg	NEB15CE00NN2-S00
200	33.1 kg	NEB20CA00NN2-E00
200	28.9 kg	NEB20CB00NN2-E00
200	26.8 kg	NEB20CD00NN2-E00

Diâmetro 1	Peso do Kit	Referência
200	25.9 kg	NEB20CE00NN2-E00
250	51.08 kg	NEB25CA00NN2-E00
250	43.48 kg	NEB25CB00NN2-E00
250	39.58 kg	NEB25CD00NN2-E00
250	38.38 kg	NEB25CE00NN2-E00
300	65.86 kg	NEB30CA00NN2-E00
300	57.76 kg	NEB30CB00NN2-E00
300	50.76 kg	NEB30CD00NN2-E00
300	48.76 kg	NEB30CE00NN2-E00

Diâmetro 1	Peso do Kit	Referência
60	12.96 kg	NEA60MN00NN2-S00
80	14.96 kg	NEA80MN00NN2-S00
100	13.94 kg	NEB10MN00NN2-S00
125	19.82 kg	NEB12MN00NN2-S00
150	19.88 kg	NEB15MN00NN2-S00
200	28.8 kg	NEB20MN00NN2-E00
250	41.88 kg	NEB25MN00NN2-E00
300	52.36 kg	NEB30MN00NN2-E00

Diâmetro 1	Diâmetro 2	Peso do Kit	Referência
100	60	14.15 kg	NEB10VE0CNN2-S00
100	80	14.18 kg	NEB10VE0ENN2-S00
150	100	20.76 kg	NEB15VE0FNN2-S00
200	100	28.87 kg	NEB20VE0FNN2-E00
200	150	29.89 kg	NEB20VE0JNN2-E00
250	125	36.25 kg	NEB25VE0GNN2-E00
250	150	34.83 kg	NEB25VE0JNN2-E00
250	200	36.24 kg	NEB25VE0KNN2-E00
300	150	50.92 kg	NEB30VE0JNN2-E00
300	200	51.03 kg	NEB30VE0KNN2-E00
300	250	49.47 kg	NEB30VE0LNN2-E00

Diâmetro 1	Diâmetro 2	Peso do Kit	Referência
60	60	15.06 kg	NEA60UD1ANN2-S00

Diâmetro 1	Diâmetro 2	Peso do Kit	Referência
60	60	15.93 kg	NEA60UD1CNN2-S00
60	60	15.96 kg	NEA60UD3CNN2-S00
60	60	16.52 kg	NEA60UD1DNN2-S00
60	60	16.96 kg	NEA60UD3DNN2-S00
80	80	16.96 kg	NEA80UD1ANN2-S00
80	80	17.43 kg	NEA80UD1CNN2-S00
80	80	17.46 kg	NEA80UD3CNN2-S00
80	80	18.02 kg	NEA80UD1DNN2-S00
80	80	18.46 kg	NEA80UD3DNN2-S00
80	80	19.43 kg	NEA80UD1ENN2-S00
100	100	19.54 kg	NEB10UD1ANN2-S00
100	100	20.61 kg	NEB10UD1CNN2-S00
100	100	20.64 kg	NEB10UD3CNN2-S00
100	100	21.2 kg	NEB10UD1DNN2-S00
100	100	21.64 kg	NEB10UD3DNN2-S00
100	100	22.21 kg	NEB10UD1ENN2-S00
100	100	23.44 kg	NEB10UD1FNN2-S00
100	100	24.64 kg	NEB10UD3FNN2-S00
125	125	26.42 kg	NEB12UD1ANN2-S00
125	125	27.69 kg	NEB12UD1CNN2-S00
125	125	27.72 kg	NEB12UD3CNN2-S00
125	125	28.28 kg	NEB12UD1DNN2-S00
125	125	28.72 kg	NEB12UD3DNN2-S00
125	125	29.39 kg	NEB12UD1ENN2-S00
125	125	30.72 kg	NEB12UD1FNN2-S00
125	125	31.92 kg	NEB12UD3FNN2-S00
125	125	33.25 kg	NEB12UD1GNN2-S00
125	125	34.92 kg	NEB12UD3GNN2-S00
150	150	27.88 kg	NEB15UD1ANN2-S00
150	150	29.25 kg	NEB15UD1CNN2-S00
150	150	29.28 kg	NEB15UD3CNN2-S00
150	150	29.84 kg	NEB15UD1DNN2-S00
150	150	30.28 kg	NEB15UD3DNN2-S00
150	150	31.15 kg	NEB15UD1ENN2-S00

Diâmetro 1	Diâmetro 2	Peso do Kit	Referência
150	150	32.68 kg	NEB15UD1FNN2-S00
150	150	33.88 kg	NEB15UD3FNN2-S00
150	150	35.31 kg	NEB15UD1GNN2-S00
150	150	38.04 kg	NEB15UD1JNN2-S00
150	150	40.08 kg	NEB15UD3JNN2-S00
200	200	39.4 kg	NEB20UD1ANN2-E00
200	200	41.17 kg	NEB20UD1CNN2-E00
200	200	41.2 kg	NEB20UD3CNN2-E00
200	200	41.76 kg	NEB20UD1DNN2-E00
200	200	42.2 kg	NEB20UD3DNN2-E00
200	200	43.47 kg	NEB20UD1ENN2-E00
200	200	43.6 kg	NEB20UD1FNN2-E00
200	200	44.8 kg	NEB20UD3FNN2-E00
200	200	48.33 kg	NEB20UD1GNN2-E00
200	200	39.6 kg	NEB20UD3GNN2-E00
200	200	51.46 kg	NEB20UD1JNN2-E00
200	200	53.5 kg	NEB20UD3JNN2-E00
200	200	59.7 kg	NEB20UD1KNN2-E00
200	200	59.6 kg	NEB20UD2KNN2-E00
200	200	61.1 kg	NEB20UD3KNN2-E00
250	250	45.48 kg	NEB25UD1CNN2-E00
250	250	45.08 kg	NEB25UD3CNN2-E00
250	250	45.64 kg	NEB25UD1DNN2-E00
250	250	57.38 kg	NEB25UD3DNN2-E00
250	250	45.38 kg	NEB25UD1ENN2-E00
250	250	47.08 kg	NEB25UV1FNN2-E00
250	250	48.28 kg	NEB25UV3FNN2-E00
250	250	56.98 kg	NEB25UD1JNN2-E00
250	250	58.98 kg	NEB25UD3JNN2-E00
250	250	64.98 kg	NEB25UD1KNN2-E00
250	250	65.18 kg	NEB25UD2KNN2-E00
250	250	66.48 kg	NEB25UD3KNN2-E00
250	250	73.78 kg	NEB25UD1LNN2-E00
250	250	73.78 kg	NEB25UD2LNN2-E00

Diâmetro 1	Diâmetro 2	Peso do Kit	Referência
250	250	76.48 kg	NEB25UD3LNN2-E00
300	300	63.26 kg	NEB30UD1CNN2-E00
300	300	62.86 kg	NEB30UD3CNN2-E00
300	300	79.12 kg	NEB30UD1DNN2-E00
300	300	63.06 kg	NEB30UD1ENN2-E00
300	300	58.15 kg	NEB30UV1FNN2-E00
300	300	59.35 kg	NEB30UV3FNN2-E00
300	300	71.36 kg	NEB30UD1JNN2-E00
300	300	73.36 kg	NEB30UD3JNN2-E00
300	300	80.86 kg	NEB30UD1KNN2-E00
300	300	81.06 kg	NEB30UD2KNN2-E00
300	300	82.36 kg	NEB30UD3KNN2-E00
300	300	90.46 kg	NEB30UD1LNN2-E00
300	300	90.46 kg	NEB30UD2LNN2-E00
300	300	93.16 kg	NEB30UD3LNN2-E00
300	300	101.66 kg	NEB30UD1MNN2-E00
300	300	101.16 kg	NEB30UD2MNN2-E00
300	300	104.76 kg	NEB30UD3MNN2-E00

Diâmetro 1	Peso do Kit	Referência
60	8.7 kg	NEA60BE10NN2-S00
60	8.73 kg	NEA60BE30NN2-S00
65	9.29 kg	NEA65BE10NN2-S00
65	9.73 kg	NEA65BE30NN2-S00
80	10.45 kg	NEA80BE10NN2-S00
100	9.87 kg	NEB10BE10NN2-S00
100	11.07 kg	NEB10BE30NN2-S00
125	13.99 kg	NEB12BE10NN2-S00
125	15.66 kg	NEB12BE30NN2-S00
150	15.03 kg	NEB15BE10NN2-S00
150	17.07 kg	NEB15BE30NN2-S00
200	23.4 kg	NEB20BE10NN2-E00
200	23.3 kg	NEB20BE20NN2-E00
200	24.8 kg	NEB20BE30NN2-E00

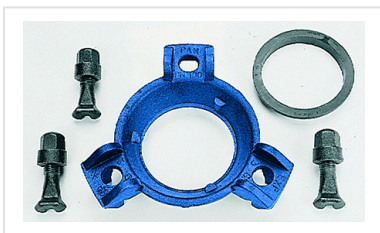
Diâmetro 1	Peso do Kit	Referência
250	34.19 kg	NEB25BE10NN2-E00
250	33.79 kg	NEB25BE20NN2-E00
250	36.69 kg	NEB25BE30NN2-E00
300	43.58 kg	NEB30BE10NN2-E00
300	42.88 kg	NEB30BE20NN2-E00
300	46.48 kg	NEB30BE30NN2-E00

Diâmetro 1	Diâmetro 2	Peso do Kit	Referência
60	60	18.59 kg	NEA60TE0CNN2-S00
80	80	22.24 kg	NEA80TE0ENN2-S00
100	100	25.06 kg	NEB10TE0FNN2-S00
125	125	49.241 kg	NEB12TE0GNN2-S00
150	150	31.51 kg	NEB15TE0CNN2-S00
150	150	32.04 kg	NEB15TE0ENN2-S00
150	150	34.9 kg	NEB15TE0FNN2-S00
150	150	40.72 kg	NEB15TE0JNN2-S00
200	200	42.83 kg	NEB20TE0CNN2-E00
200	200	44.38 kg	NEB20TE0ENN2-E00
200	200	46.72 kg	NEB20TE0FNN2-E00
200	200	53.04 kg	NEB20TE0JNN2-E00
200	200	63.45 kg	NEB20TE0KNN2-E00

DN	PFA
mm	bar
60	40
80	40
100	40
125	40
150	40
200	40
250	40
300	40
350	25
400	25
450	25

DN mm	PFA bar
500	25
600	25
700	25
800	25
900	25
1000	25
1100	25
1200	25

### Produtos associados



Conjunto junta Express para acessórios Express DN200 a 1200



Conjunto junta Express New para acessórios Express DN60-150