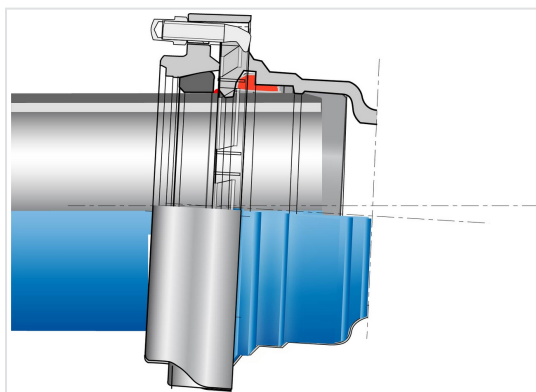


## Conjunto acessório Standard AQB + Junta Standard Ve



| Angulo | DN  | Peso do Kit | Referência       |
|--------|-----|-------------|------------------|
| 90°    | 80  | 19.12 kg    | NSA80CA00NN2-E02 |
| 45°    | 80  | 18.52 kg    | NSA80CB00NN2-E02 |
| 22°30  | 80  | 17.72 kg    | NSA80CD00NN2-E02 |
| 11°15  | 80  | 18.02 kg    | NSA80CE00NN2-E02 |
| 90°    | 100 | 21.52 kg    | NSB10CA00NN2-E02 |
| 45°    | 100 | 22.98 kg    | NSB10CB00NN2-E02 |
| 22°30  | 100 | 21.88 kg    | NSB10CD00NN2-E02 |
| 11°15  | 100 | 21.98 kg    | NSB10CE00NN2-E02 |
| 45°    | 125 | 30.62 kg    | NSB12CB00NN2-E02 |
| 22°30  | 125 | 28.22 kg    | NSB12CD00NN2-E02 |
| 11°15  | 125 | 28.62 kg    | NSB12CE00NN2-E02 |
| 90°    | 150 | 40.22 kg    | NSB15CA00NN2-E02 |
| 45°    | 150 | 37.72 kg    | NSB15CB00NN2-E02 |
| 22°30  | 150 | 34.32 kg    | NSB15CD00NN2-E02 |
| 11°15  | 150 | 34.72 kg    | NSB15CE00NN2-E02 |
| 90°    | 200 | 58.2 kg     | NSB20CA00NN2-E02 |
| 45°    | 200 | 52.7 kg     | NSB20CB00NN2-E02 |
| 22°30  | 200 | 48 kg       | NSB20CD00NN2-E02 |
| 11°15  | 200 | 48.2 kg     | NSB20CE00NN2-E02 |
| 90°    | 250 | 107.68 kg   | NSB25CA00NN2-E02 |
| 45°    | 250 | 98.58 kg    | NSB25CB00NN2-E02 |
| 22°30  | 250 | 90.28 kg    | NSB25CD00NN2-E02 |

| Angulo | DN  | Peso do Kit | Referência       |
|--------|-----|-------------|------------------|
| 11°15  | 250 | 88.58 kg    | NSB25CE00NN2-E02 |
| 90°    | 300 | 150.16 kg   | NSB30CA00NN2-E02 |
| 45°    | 300 | 136.46 kg   | NSB30CB00NN2-E02 |
| 22°30  | 300 | 119.66 kg   | NSB30CD00NN2-E02 |
| 11°15  | 300 | 117.16 kg   | NSB30CE00NN2-E02 |

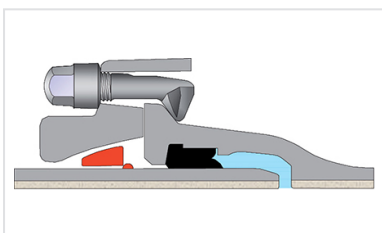
| DN  | Ø dn | PN          | Peso do Kit | Referência       |
|-----|------|-------------|-------------|------------------|
| 80  | 60   | 10 16       | 22.19 kg    | NSA80UD1CNN2-E02 |
| 80  | 60   | 25 40       | 22.22 kg    | NSA80UD3CNN2-E02 |
| 80  | 80   | 10 16 25 40 | 23.49 kg    | NSA80UD1ENN2-E02 |
| 100 | 40   | 10 16 25 40 | 26.08 kg    | NSB10UD1ANN2-E02 |
| 100 | 60   | 10 16       | 26.55 kg    | NSB10UD1CNN2-E02 |
| 100 | 60   | 25 40       | 26.58 kg    | NSB10UD3CNN2-E02 |
| 100 | 80   | 10 16 25 40 | 28.15 kg    | NSB10UD1ENN2-E02 |
| 100 | 100  | 10 16       | 29.78 kg    | NSB10UD1FNN2-E02 |
| 100 | 100  | 25 40       | 30.98 kg    | NSB10UD3FNN2-E02 |
| 125 | 40   | 10 16 25 40 | 32.62 kg    | NSB12UD1ANN2-E02 |
| 125 | 60   | 10 16       | 33.09 kg    | NSB12UD1CNN2-E02 |
| 125 | 60   | 25 40       | 33.12 kg    | NSB12UD3CNN2-E02 |
| 125 | 80   | 10 16 25 40 | 34.59 kg    | NSB12UD1ENN2-E02 |
| 125 | 100  | 10 16       | 36.12 kg    | NSB12UD1FNN2-E02 |
| 125 | 100  | 25 40       | 37.32 kg    | NSB12UD3FNN2-E02 |
| 125 | 125  | 10 16       | 40.55 kg    | NSB12UD1GNN2-E02 |
| 125 | 125  | 25 40       | 42.22 kg    | NSB12UD3GNN2-E02 |
| 150 | 150  | 25 40       | 52.62 kg    | NSB15UD3JNN2-E02 |
| 150 | 40   | 10 16 25 40 | 39.22 kg    | NSB15UD1ANN2-E02 |
| 150 | 60   | 10 16       | 39.69 kg    | NSB15UD1CNN2-E02 |
| 150 | 60   | 25 40       | 39.72 kg    | NSB15UD3CNN2-E02 |
| 150 | 80   | 10 16 25 40 | 41.19 kg    | NSB15UD1ENN2-E02 |
| 150 | 100  | 10 16       | 42.82 kg    | NSB15UD1FNN2-E02 |
| 150 | 100  | 25 40       | 44.02 kg    | NSB15UD3FNN2-E02 |
| 150 | 150  | 10 16       | 50.58 kg    | NSB15UD1JNN2-E02 |
| 200 | 40   | 10 16 25 40 | 54.1 kg     | NSB20UD1ANN2-E02 |
| 200 | 60   | 10 16       | 54.57 kg    | NSB20UD1CNN2-E02 |

| DN  | Ø dn | PN          | Peso do Kit | Referência       |
|-----|------|-------------|-------------|------------------|
| 200 | 60   | 25 40       | 54.6 kg     | NSB20UD3CNN2-E02 |
| 200 | 80   | 10 16 25 40 | 55.47 kg    | NSB20UD1ENN2-E02 |
| 200 | 100  | 10 16       | 57.4 kg     | NSB20UD1FNN2-E02 |
| 200 | 100  | 25 40       | 58.6 kg     | NSB20UD3FNN2-E02 |
| 200 | 150  | 10 16       | 62.86 kg    | NSB20UD1JNN2-E02 |
| 200 | 150  | 25 40       | 64.9 kg     | NSB20UD3JNN2-E02 |
| 200 | 200  | 10          | 73.7 kg     | NSB20UD1KNN2-E02 |
| 200 | 200  | 16          | 73.6 kg     | NSB20UD2KNN2-E02 |
| 200 | 200  | 25          | 75.1 kg     | NSB20UD3KNN2-E02 |
| 250 | 60   | 10 16       | 89.48 kg    | NSB25UD1CNN2-E02 |
| 250 | 60   | 25 40       | 89.08 kg    | NSB25UD3CNN2-E02 |
| 250 | 80   | 10 16 25 40 | 89.38 kg    | NSB25UD1ENN2-E02 |
| 250 | 150  | 10 16       | 97.08 kg    | NSB25UD1JNN2-E02 |
| 250 | 150  | 25 40       | 99.08 kg    | NSB25UD3JNN2-E02 |
| 250 | 200  | 10          | 105.08 kg   | NSB25UD1KNN2-E02 |
| 250 | 200  | 16          | 105.28 kg   | NSB25UD2KNN2-E02 |
| 250 | 200  | 25          | 106.58 kg   | NSB25UD3KNN2-E02 |
| 250 | 250  | 10          | 113.88 kg   | NSB25UD1LNN2-E02 |
| 250 | 250  | 16          | 113.88 kg   | NSB25UD2LNN2-E02 |
| 250 | 250  | 25          | 116.58 kg   | NSB25UD3LNN2-E02 |
| 300 | 60   | 10 16       | 119.16 kg   | NSB30UD1CNN2-E02 |
| 300 | 60   | 25 40       | 118.76 kg   | NSB30UD3CNN2-E02 |
| 300 | 80   | 10 16 25 40 | 118.96 kg   | NSB30UD1ENN2-E02 |
| 300 | 150  | 10 16       | 126.26 kg   | NSB30UD1JNN2-E02 |
| 300 | 150  | 25 40       | 128.26 kg   | NSB30UD3JNN2-E02 |
| 300 | 200  | 10          | 135.76 kg   | NSB30UD1KNN2-E02 |
| 300 | 200  | 16          | 135.96 kg   | NSB30UD2KNN2-E02 |
| 300 | 200  | 25          | 137.26 kg   | NSB30UD3KNN2-E02 |
| 300 | 250  | 10          | 145.36 kg   | NSB30UD1LNN2-E02 |
| 300 | 250  | 16          | 145.36 kg   | NSB30UD2LNN2-E02 |
| 300 | 250  | 25          | 148.06 kg   | NSB30UD3LNN2-E02 |
| 300 | 300  | 10          | 156.56 kg   | NSB30UD1MNN2-E02 |
| 300 | 300  | 16          | 156.06 kg   | NSB30UD2MNN2-E02 |
| 300 | 300  | 25          | 159.66 kg   | NSB30UD3MNN2-E02 |

| DN  | PN          | Peso do Kit | Referência       |
|-----|-------------|-------------|------------------|
| 80  | 10 16 25 40 | 12.43 kg    | NSA80BE10NN2-E02 |
| 100 | 10 16       | 15.04 kg    | NSB10BE10NN2-E02 |
| 100 | 25 40       | 16.24 kg    | NSB10BE30NN2-E02 |
| 125 | 10 16       | 19.39 kg    | NSB12BE10NN2-E02 |
| 200 | 10          | 34.9 kg     | NSB20BE10NN2-E02 |
| 200 | 16          | 34.8 kg     | NSB20BE20NN2-E02 |
| 200 | 25          | 36.3 kg     | NSB20BE30NN2-E02 |
| 250 | 10          | 60.34 kg    | NSB25BE10NN2-E02 |
| 250 | 16          | 59.94 kg    | NSB25BE20NN2-E02 |
| 250 | 25          | 62.84 kg    | NSB25BE30NN2-E02 |
| 300 | 10          | 81.03 kg    | NSB30BE10NN2-E02 |
| 300 | 16          | 80.33 kg    | NSB30BE20NN2-E02 |
| 300 | 25          | 83.93 kg    | NSB30BE30NN2-E02 |

| DN<br>mm | Classe | PFA<br>bar |
|----------|--------|------------|
| 350      | C30    | 27         |
| 400      | C30    | 25         |
| 450      | C30    | 23         |
| 50       | C30    | 22         |
| 60       | C30    | 20         |
| 70       | C25    | 20         |
| 80       | C25    | 16         |
| 90       | C25    | 16         |
| 1000     | C25    | 16         |
| 1100     | C25    | 16         |
| 1200     | C25    | 16         |

## Produtos associados



Junta STD Ve para tubos e acessórios DN80-1200