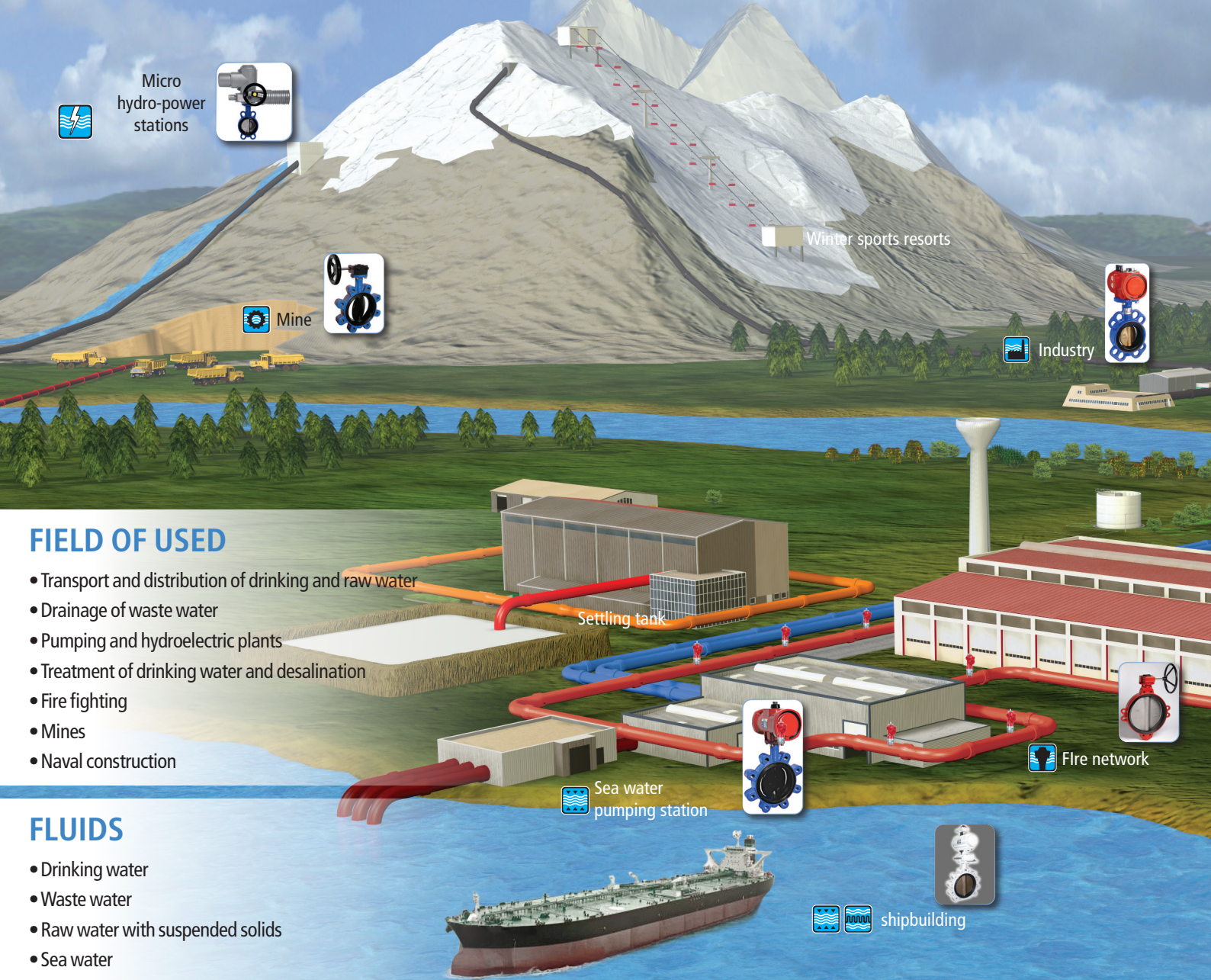


BUTTERFLY VALVES WAFER ET LUG



PIPELINE SOLUTIONS FOR THE FUTURE



FIELD OF USED

- Transport and distribution of drinking and raw water
- Drainage of waste water
- Pumping and hydroelectric plants
- Treatment of drinking water and desalination
- Fire fighting
- Mines
- Naval construction

FLUIDS

- Drinking water
- Waste water
- Raw water with suspended solids
- Sea water

Renowned in the industry sector for its extensive range of materials, coatings and actuators, the short pattern concentric Wafer and Lug Butterfly Valves (BV) are installed overhead where there are many dimensional constraints.

Their wide range of materials and coatings meet all types of application areas such as drinking water, raw water, sea water and gaseous fluids (such as air, gas, etc.) for temperature ranges from -40°C to 95°C .

They provide an effective and reliable solution for the industry, the hydroelectric pumping stations, fire-fighting, irrigation, water treatment, desalination, etc.

For the same diameter, the disk, shaft and seat of the Wafer and Lug are identical and can therefore be interchanged.

Installed between two flanges, only the connectivity and the network maintenance are different.

- Wafer BV:

- . installed using ties and nuts
- . can be dissembled under pressure

- Lug BV:

- . installed with double sided screws without nut
- . can be dissembled under pressure

Wafer



Lug





STANDARD RANGE

- Wafer:
 - . DN 40 to 1200 PFA 10/16 bar
 - . DN 40 to 300 PFA 25 bar
- Lug:
 - . DN 40 to 1000 PFA 10/16 bar
 - . DN 40 to 300 PFA 25 bar

Materials and coatings

- Body: ductile iron + RAL 5005 min. 150 µm powder coated epoxy
- Butterfly/disc:
 - . Ductile iron black min. 150 µm powder coated epoxy with ACS
 - . CF8M stainless steel
- Seat: EPDM with ACS

Actuators

- Manual:
 - . MN/MR with handlever DN 40 to 350
 - . Gearbox with handwheel DN40 to 1200
- Motorised:
 - . Electrical AUMA or BERNARD
 - . Pneumatic: spring return or double effect

Accessories

Manual/electric position indicator, solenoid valves, extensions, etc.

PAM offers a wide range of coatings and materials to meet diverse requirements.

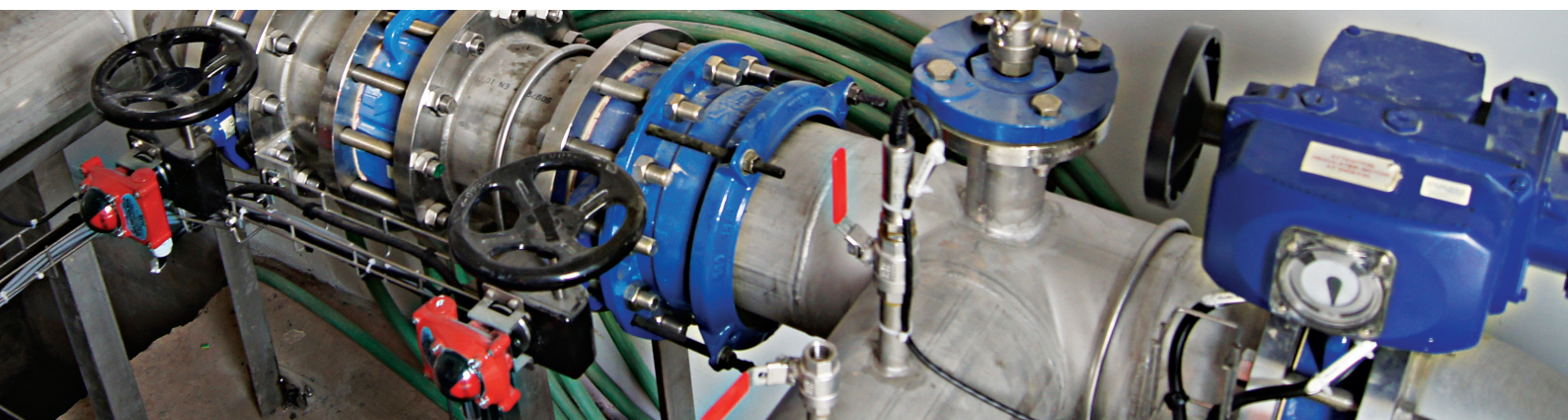
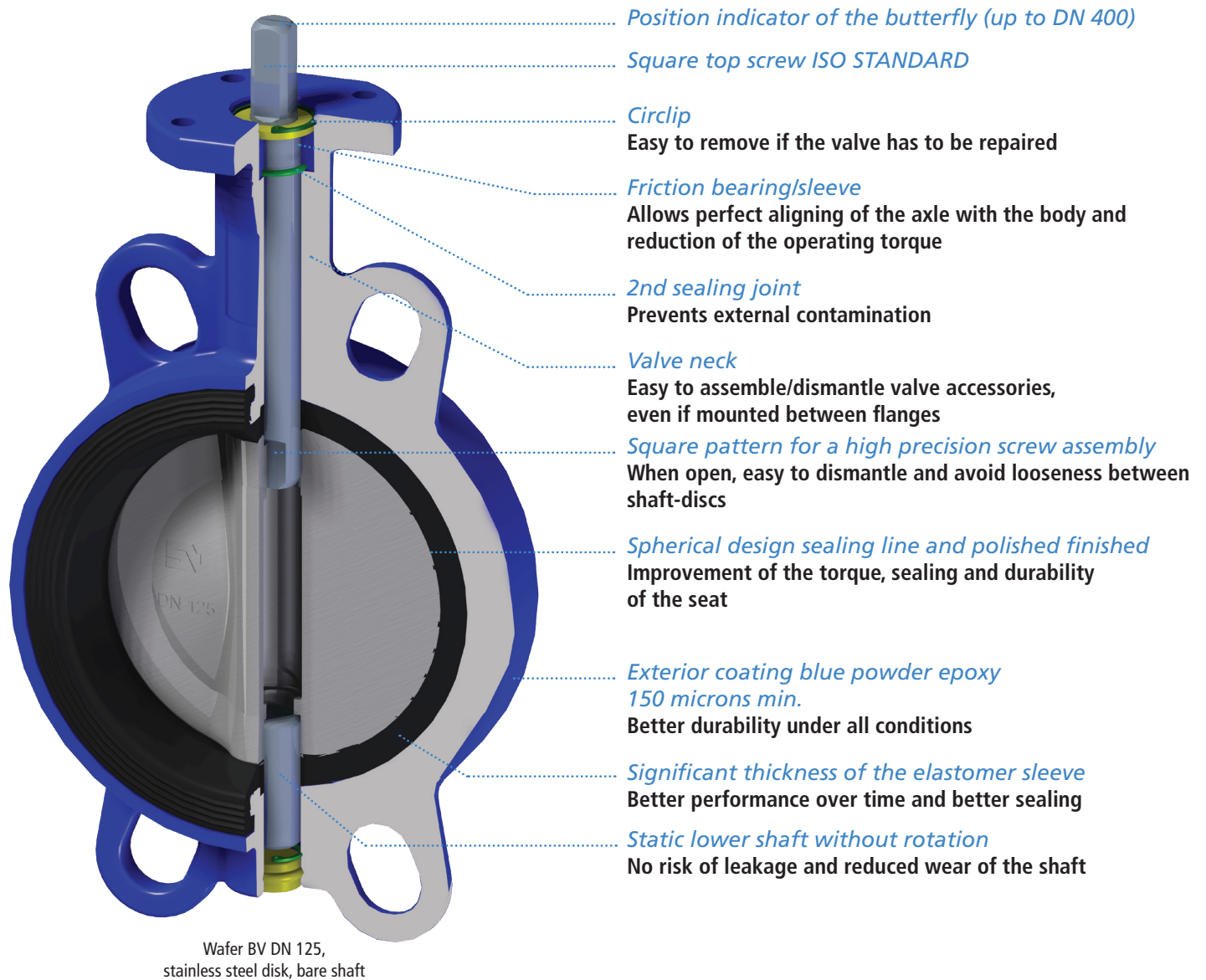
For more information contact our technical sales department.

TABLE OF CONTENTS

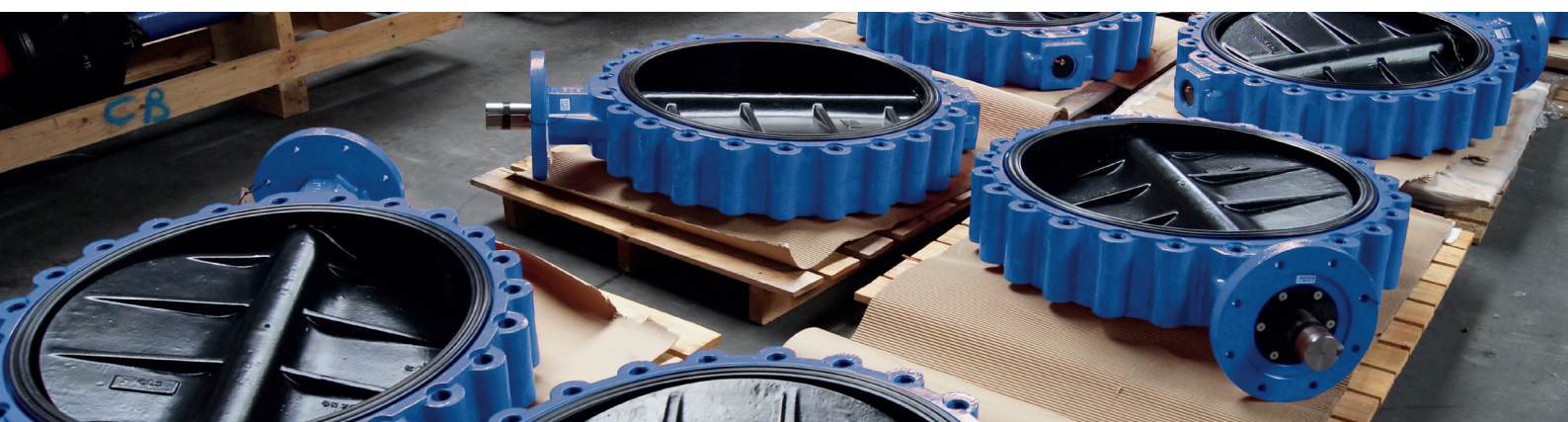
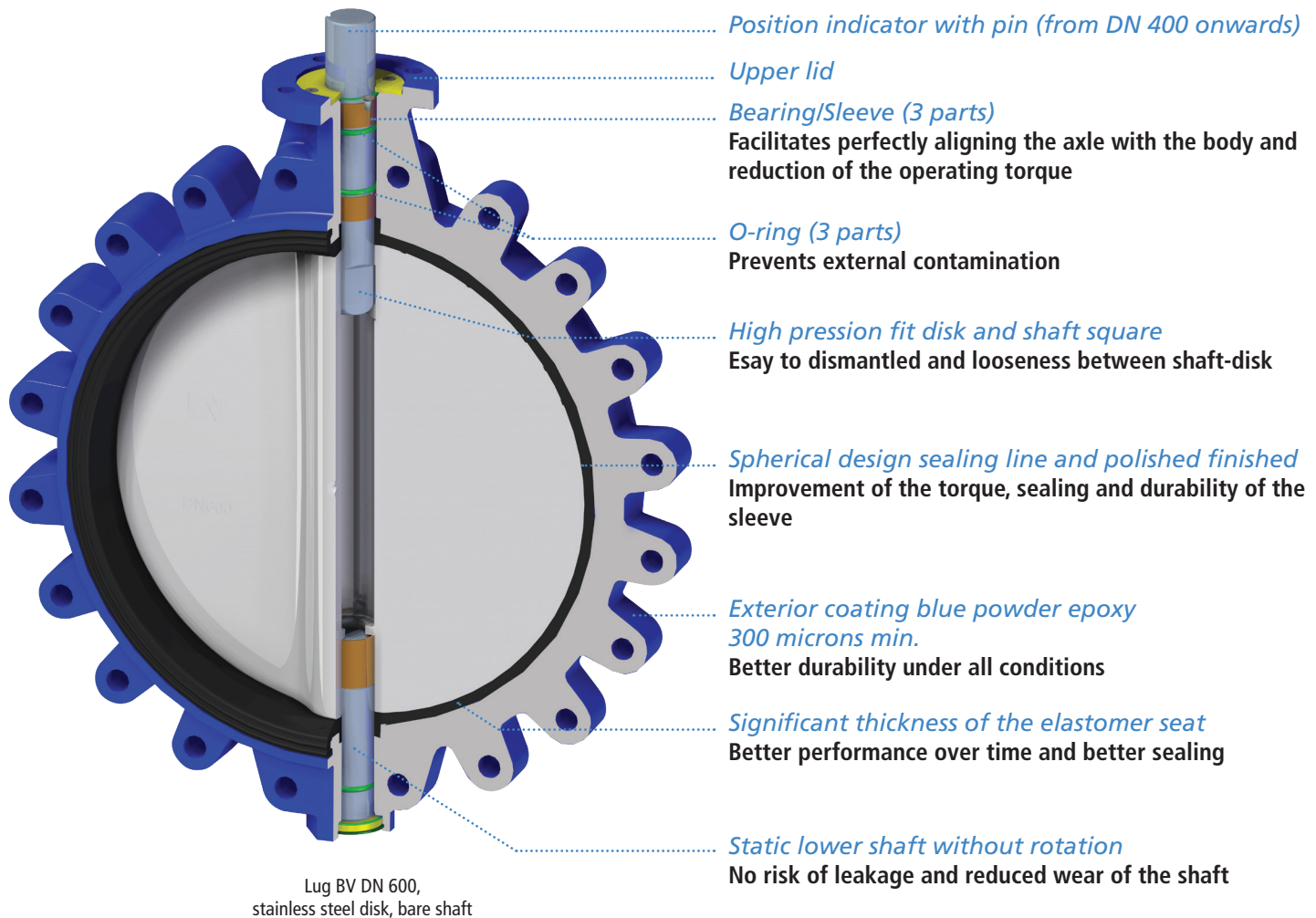
	page
■ Performances and avantages	2
■ Quality assurance	4
■ Technical performance	6
■ Complete Wafer and Lug BV solutions	8
■ Wafer and Lug BV coding	8
■ Wafer BV drawings, materials and coatings	12
■ Lug BV drawings, materials and coatings	14
■ Other materials and coatings suitable for your needs	16
■ Wafer BV dimensions and references	18
■ Lug BV dimensions and references	24
■ Manual handlever actuators	30
■ Manual gearbox with handwheel	32
■ Electric motorised actuators	34
■ Pneumatic motorised actuators	36
■ Fastenings and associated products	38
■ Assembly and maintenance instructions	40

Performance and advantages

- Minimum operating torque and loss of load
- Fully leakproof (Ratio A) with unitary tests
- Flow of fluid in both directions



- Simple assembly and disassembly, all the components are interchangeable
- The butterfly, seat and shaft can be repaired
- No need of flat sealing joints for fixing to the network



Quality assurance

- The design, manufacture and unitary tests are conducted in compliance with the quality assurance system EN ISO 9001:2008 certified by AENOR and by IQNet under no. ES-0780/1997.
- Compliant with EN 1074-2 standards, Directive for pressurised equipment 97/23/CE for industrial applications and the Atex Directive 94/4/CE for explosive atmospheres.
- The valves are certified for installation in naval construction, in explosive atmosphere and for transporting fluids in some countries,...

COMPLIANCE WITH THE STANDARDS AND DIRECTIVES

DIMENSIONS

- NF EN 593: metallic butterfly valves
- NF EN 558-1: face to face dimensions series 20
- EN ISO 5752: metal valves for use in flanged pipe systems (table 5 short series)
- API 609: Flange-Flange, Lug and Wafer Butterfly valves
- NF EN 1092-2: Cast iron flanges for connecting to pipes

MATERIALS: NNF EN 1503-3: valves.
Materials for body, lids, caps in cast iron

CONNECTION OF CONTROLS

- EN ISO 5210: multi-turn
- EN ISO 5211: fraction of a turn

ASSEMBLY BETWEEN FLANGES

- ISO PN10, DIN 2632 PN10, EN-1092 PN10, NFE 29222 PN10

IDENTIFICATION: EN ISO 5209: Marking

PERFORMANCE: EN 1074-2

TESTING

- EN ISO 5208: Test pressure (RatioA - No leak permitted)
- EN 12 266-1: Sealing - pressurised testing (RatioA - No leak permitted)

PRODUCTS FOR CONSTRUCTION


Directive for pressurised equipment 97/23/EC No. 056


EXPLOSIVE ATMOSPHERE


Directive 94/4/CEATEX type "II 2 GD c X" for valves and manual gear units No. SIRA 10XT267



TESTING

 The DN 40-1200 concentric Butterfly Valve range with elastomer in EPDM was tested in the CARSO laboratory - certified by the French Ministry of Health - and obtained the Sanitary Compliance Certificate in line with the order of 29 May 1997 under ACS no. 10ACC LY 19.

 The range with elastomer of W270 quality was tested according to German regulation DVGW at the TZW laboratory and obtained approval no. NW-6201CM0237.

 The same range is certified, in Russia by the accredited body GOST, for contact with drinking water (no. 78.01.01.515).



SEALING AND UNITARY MECHANICAL RESISTANCE TESTS

A leakage test is made on each valve according to EN ISO 5208 and EN 12266-1: leakage - pressure tests (Ratio A – no leak permitted).

For the butterfly, the test is made on each side with the butterfly closed, at a pressure equal to 1.1 x PFA (bar).

For the product assembly, the test is made with the butterfly semi-open, under a pressure equal to 1.5 x PFA (bar).

Upon customer's request, other certificates, tests or quality acceptances can be carried out.

If a 3.1 type unitary quality control is requested, each BV will be supplied with a document containing quality information of the assembly, hydraulic testing and inspection stages.



UNITARY IDENTIFICATION AND TRACEABILITY

Identification is compilation with the EN ISO 5209 standards "Marking". Marks on material of body and butterfly, as well as all the stickered labels, provides information about the type of material, the chemical composition and the mechanical performance until its end of life.

MARKINGS OF MATERIALS

- **Body:** diameter, pressure, manufacturer, casting no. and material
- **Butterfly:** diameter, manufacturer, material and casting no.

LABELS

Standard and traceability aspect: labels stickered on each valve.

- 1 Directive of CE pressure equipment: placed in front of the body
- 2 Rectangular label protected with actuator: placed on the flange of the body

Commercial aspect: label stickered on each valve.

One single label to be selected placed in front of the body

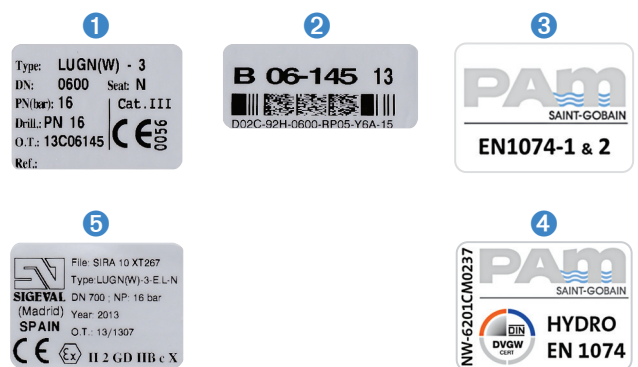
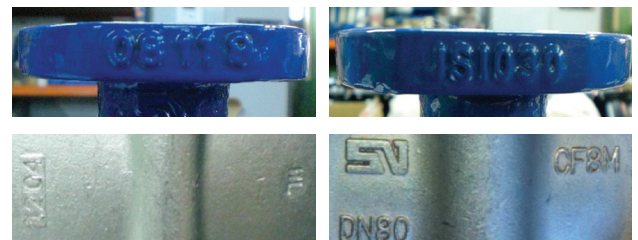
- 3 Standard range PAM brand: EPDM elastomer with ACS
- 4 DVGW special range: EPDM elastomer W270 type certified by DVGW

Special scenario for explosive atmospheres

- 5 Only on the BV in compliance with the ATEX directive

UNITARY IDENTIFICATION

Upon the customer's request, a unit identification per product is possible. This identification must appear on the label of the square CE marking and in the rectangular placed on the mounting flange for the actuator. Contact us.



	ACS (and others except DVGW)	DVGW
Without ATEX	1 2 3	1 2 4
With ATEX	1 2 3 5	1 2 4 5

STANDARDISATION FOR OTHER FIELDS OF ACTIVITY

NAVAL CONSTRUCTION

This range is certified with regard to the three main certifying bodies of products for the naval construction market: DNV (Det Norske Veritas), Lloyd's Register and BureauVeritas.

GOST FOR THE GAS NETWORK IN RUSSIA



Technical performances

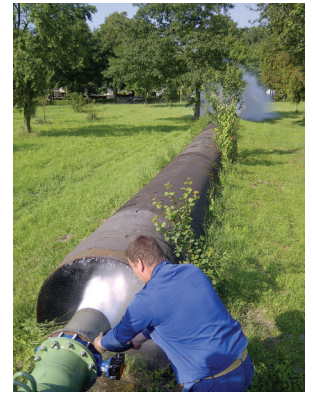
HYDRAULIC CHARACTERISTICS

- The Pressure drop the valve expressed through Kv, i.e. the flow, at a temperature of 20°C, passing the valve while resulting in a loss of load of 1 bar.
- In case of water, we have the following simplified relationship:

$$Kv = \frac{Q}{\sqrt{\Delta P}}$$

Where:

- Q = flow travelling in m³/h,
- Kv = flowrate coefficient of the valve in m³/h,
- ΔP = Pressure loss in bar



Values of Kv in m³/h, depending on the diameter and the degree of opening of the valve

DN	Degree of opening of the butterfly (*)							
	25	30	40	50	60	70	80	90
40	2,5	4,3	9	15	22	38	60	68
50	5	7.7	14	23	45	60	90	112
60-65	8,6	12.9	22	36	70	90	138	172
80	13	19	33	54	110	138	207	258
100	24	36	63	103	200	260	410	474
125	52	76	133	215	420	540	860	970
150	146	125	215	353	690	890	1420	1680
200	146	215	360	603	1120	1510	2350	2800
250	224	336	580	990	1850	3190	3700	4310
300	327	475	860	1380	2670	3490	5215	6465
350	430	645	1120	1896	3535	4395	6980	8620
400	560	775	1465	2285	4395	5600	9310	10775
450	775	1077	1980	3190	6120	7930	12700	15086
500	970	1380	2415	3965	7500	9900	15085	18965
600	1293	1895	3275	5260	10130	14225	20700	24137
700	1350	1990	3860	5980	10600	17100	25300	36000
800	1600	2200	4500	8200	12500	20000	29000	44000
900	1800	2300	6100	10400	17500	29000	42000	58000
1000	2500	3800	8700	13500	23000	37500	59200	80500
1100	4450	6350	10560	18210	28650	54560	72540	97586
1200	5400	7800	12500	22600	35500	61500	82000	110500

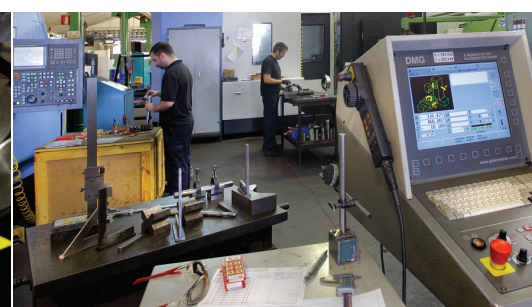
Note : Values of the table are valid for the Wafer and Lug BV.

OPERATING TORQUES

- Torque in Nm required for seal closing (ratio A) based on the diameter and differential pressure. These torques were tested for the standard range with water at 20°C, optimal assembly and EPDM seat.

Pressure (Bar)	DN																			
	40	50	65	80	100	125	150	200	250	300	350	400	450	500	600	700	800	900	1000	1200
3	5	5	15	17	22	39	48	90	126	161	245	520	590	840	1000	1650	2300	4700	6500	8500
6	6	7	16	20	29	46	75	120	210	270	300	624	1120	1390	2200	3300	4600	6800	8500	12000
10	9	13	20	23	42	72	90	140	270	390	500	897	1450	1800	3450	5000	6500	8500	11500	15500
16	15	17	25	28	50	85	110	215	350	560	950	1400	1950	2500	3800	5860	9500	11500	15000	22000

Note : Values of the table are valid for the Wafer and Lug BV.





Lug BV DN 100 PN10/16 manual with handwheel gear unit and butterfly in CF8M stainless steel

Wafer BV DN 100 PN10/16 manual with handle lever and butterfly in DI coated with min. 150 microns black epoxy

Complete Wafer and Lug solutions

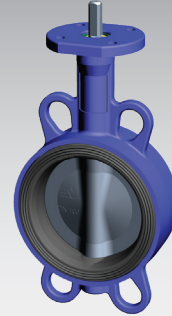
4

FOUR STEPS TO SELECT THE PRODUCT THAT MEETS YOUR REQUIREMENTS ▶▶▶▶▶▶

1 TYPE OF BUTTERFLY VALVE

WAFER DN 40-1200

DN 40-150: PN10/16
DN 200-1200: PN10 and PN16
DN 40-300: PN25



2 TYPE OF ACTUATOR

MANUAL

WITH HANDLEVER

MN Type
DN 40-200



MR Type
DN 40-350



GEARBOX WITH HANDWHEEL

MDV Type
PFA10/16 bar: DN 40-1200
PN25: DN 40-300



3 MATERIALS AND COATINGS

BODY



- Ductile iron + 150 µm blue epoxy
- Ductile iron + epoxy in other colours (can be customised)
- Grey cast iron + 150 µm epoxy
- Aluminium
- Stainless steel
- Others, please contact us.

See page 16

BUTTERFLY



- Ductile iron + 150 µm black epoxy
- CF8M stainless steel
- Duplex and super Duplex
- Cupro-aluminium
- Ductile Iron 150 µm Rilsan®
- Others, please contact us.

See page 16

SEAT



- EPDM with ACS
- EPDM with DVGW
- NITRILE
- HYPALON®
- FLUCAST
- Others, please contact us

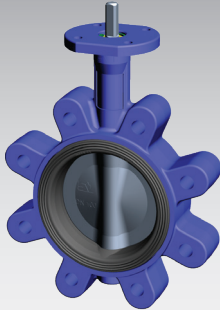
See page 17

- 1 TYPE OF BUTTERFLY VALVE
- 2 TYPE OF ACTUATOR
- 3 MATERIALS AND COATINGS
- 4 ACCESSORIES

PAM has a wide range of actuator and operating accessory solutions suited to your needs. Please contact our technical sales department.

For other fluids, PAM has a diverse range of materials, coatings and colours for the body, butterfly, seat and operating shaft.

1 TYPE OF BUTTERFLY VALVE



LUG DN 40-1000

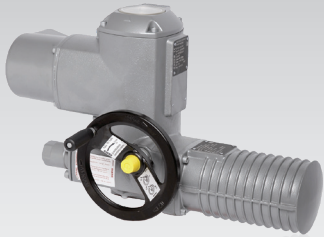
DN 40-150: PN10/16
DN 200-1000: PN10 and PN16
DN 40-300: PN25

2 TYPE OF ACTUATOR

MOTORIZED

ELECTRIC

AUMA
(single-phase or three-phase)



BERNARD
(single-phase or three-phase)



PNEUMATIC

Spring return



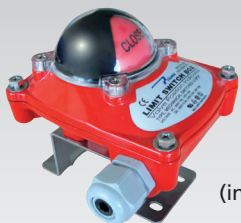
Double effect



4 ACCESSORIES

POSITION INDICATOR (mechanical/electric)

Standard version
(mechanical switch)



ATEX version
(inductive switch)



DECLUTCHABLE GEARBOX

For actionneur
Pneumatic



REGULATION AND CONTROL



SOLENOID VALVE

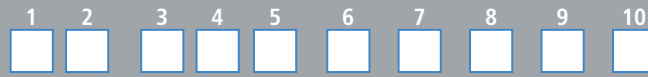
For pneumatic actuator





Lug BV DN 700 PN16 bare shaft with
DI butterfly coated with Rilsan®
180 microns min.

References of the range of Wafer and Lug concentric Butterfly Valves has 10 characters.



DEFINITION OF THE REFERENCE

1+2	BV type concentric	Wafer					Lug			Flange	
		VW					VL			VB	
3 + 4 + 5	Diameter	DN40	DN50	DN60	DN65	DN80	DN100	DN125	DN150	DN200	DN250
		A40	A50	A60	A65	A80	B10	B12	B15	B20	B25
		DN300	DN350	DN400	DN450	DN500	DN600	DN700	DN800	DN900	
		B30	B35	B40	B45	B50	B60	B70	B80	B90	
		DN1000	DN1100	DN1200	DN1300	DN1400	DN1500	DN1600			
		C10	C11	C12	C13	C14	C15	C16			
6	Disk/butterfly material	Ductile Iron + min. 150 µm epoxy						CF8M Stainless Steel			
		F						A			
7	Actuator	Bare shaft without mechanism									
		A									
		Manual	With handlever					gearbox with handwheel			
			L					B			
		Electrical-motorised	Auma Three-phase			Auma Single-phase		Bernard Three-phase		Bernard Single-phase	
E			M		Y		Z				
Electrical-motorised	Spring return					Double effect					
		X					P				
8	Rated pressure	PFA10/16 bar	PFA10 bar			PFA16 bar		PN20	PN25		
		C	B			A		F	D		
9	Coatings	150 µm blue powdered epoxy						150 µm red powdered epoxy			
		W						F			
10	Type of joint/sleeve	EPDM with ACS			EPDM with DVGW		Nitrile		Viton		
		E			W		N		V		

Example:

VWB10AMCWN = Wafer BV DN 100 motorised electric single-phase Auma PFA10/16 with disk in CF8M stainless steel and blue epoxy 150 microns and seat in nitrile.

For other types of materials, coatings, pressures or actuators, contact us.



Wafer BV drawings, materials and coatings

The Wafer Butterfly Valve is manufactured for a range of diameters from DN 40 to DN 1200 PFA 16 bar and DN 40-300 PFA 25 bar.

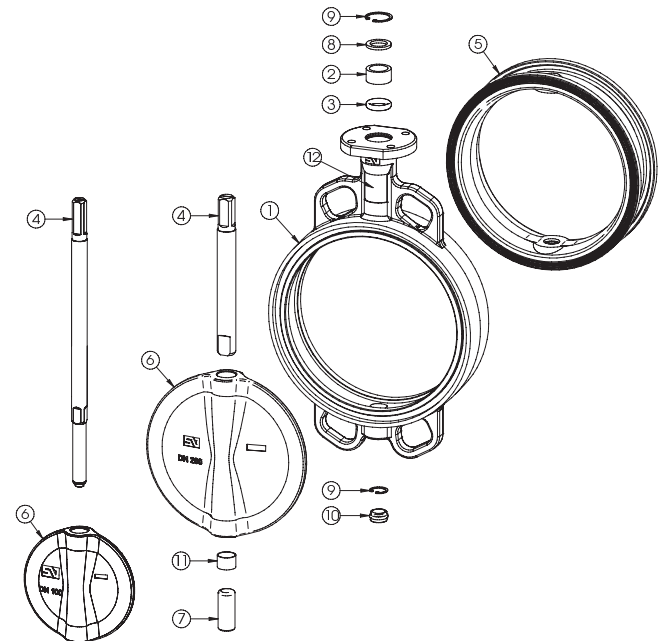
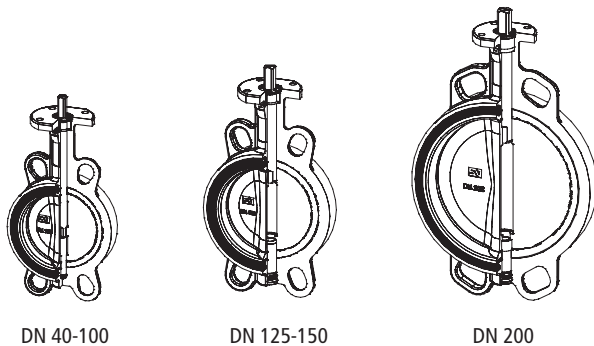
COMMON COMPONENTS TO WAFER BV

Ref.	Description	Material	Coating
1	Valve body	Ductile iron EN GJS-400-15	Min. 150 µ RAL 5005 blue powder epoxy
2	Friction bearing	Acetal "DELTRIN" (POM)	-
3	O-ring	Nitrile	-
4	Upper axle	X20Cr13 Stainless steel as per EN10088-3	-
5	Seat	EPDM elastomer with ACS	-
6	Disk	Ductile iron EN GJS-400-15 (*)	Min. 150 µ black powder epoxy with ACS
		CF8M stainless steel (contact us) (**)	-
7	Lower axle	Stainless steel AISI 420	-



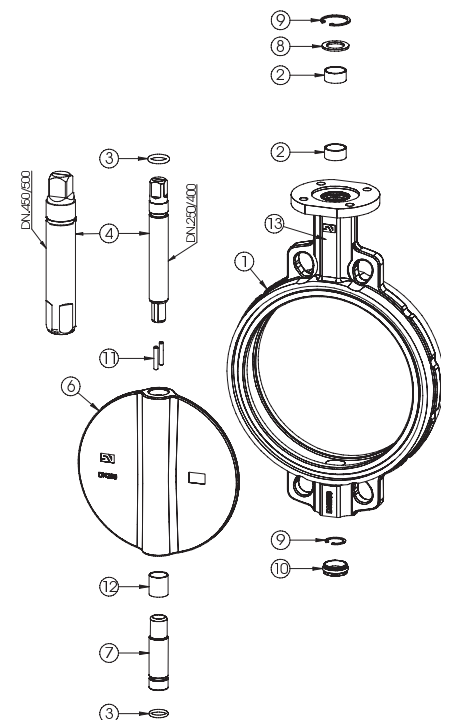
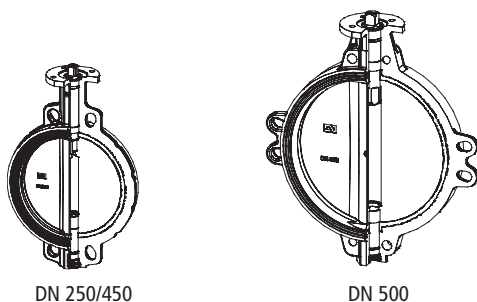
COMPONENTS RANGE DN 40-200

Ref.	Description	Material	Coating
8	Lock washer	Galvanised steel	-
9	Circlip	Galvanised steel	DIN 472
10	Lower plug	EPDM	-
11	Friction bearing	Acetal "DELTRIN" (POM)	-
12	Marking	Polyester	-



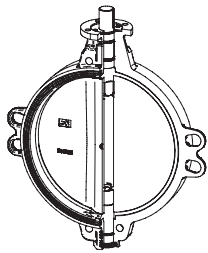
COMPONENTS RANGE DN 250-500

Ref.	Description	Material	Coating
8	Lock washer	Galvanised steel	-
9	Circlip	Galvanised steel	DIN 472
10	Lower plug	EPDM elastomer	-
11	Cylindrical pin (2 DN250-300) (4 DN350-400)	Carbon steel	100Cr6
		BZ steel	PTFE
12	Friction bearing	BZ steel	PTFE
13	Marking	Polyester	-

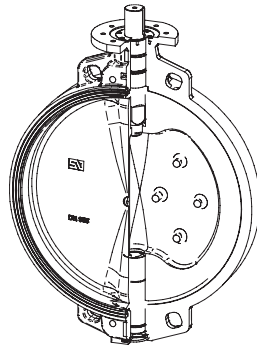


COMPONENTS RANGE DN 600-1100

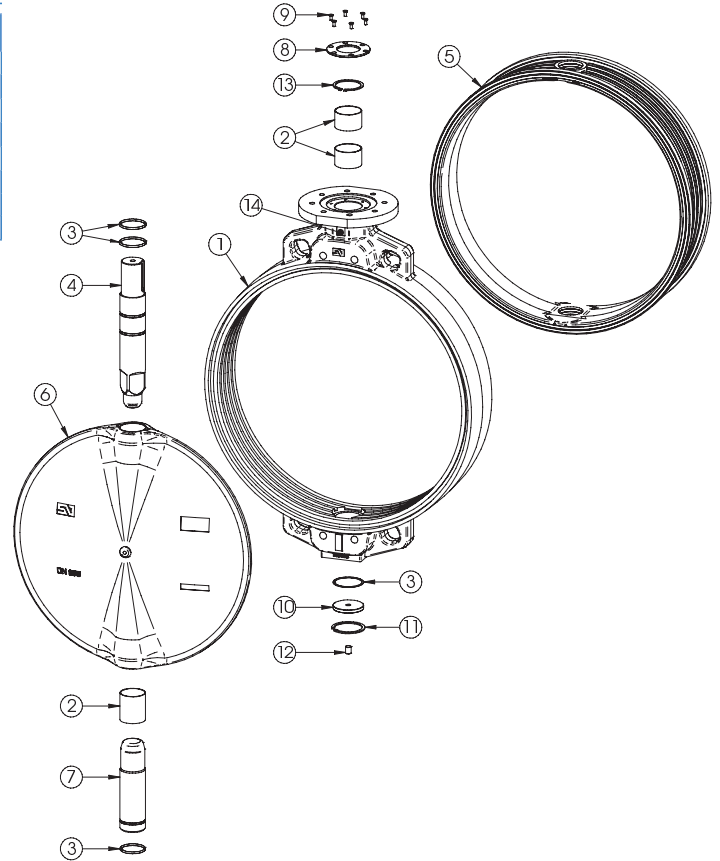
Ref.	Description	Material	Coating
8	Upper lid	Carbon steel	Black powder epoxy
9	Lock washer	Galvanised steel	-
10	Circlip	Galvanised steel	DIN 472
11	Lower plug	EPDM elastomer	-
12	Elastic washer	Galvanised steel	DIN 913
13	Axle elastic washer (DN 600/800 seul)	Galvanised steel	DIN 471
14	Marking	Polyester	-



DN 600/800

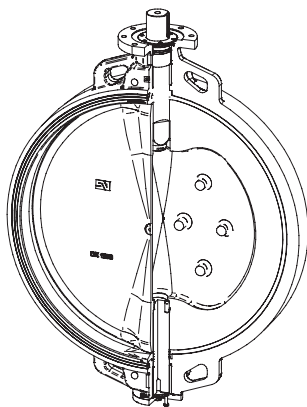


DN 900/1100

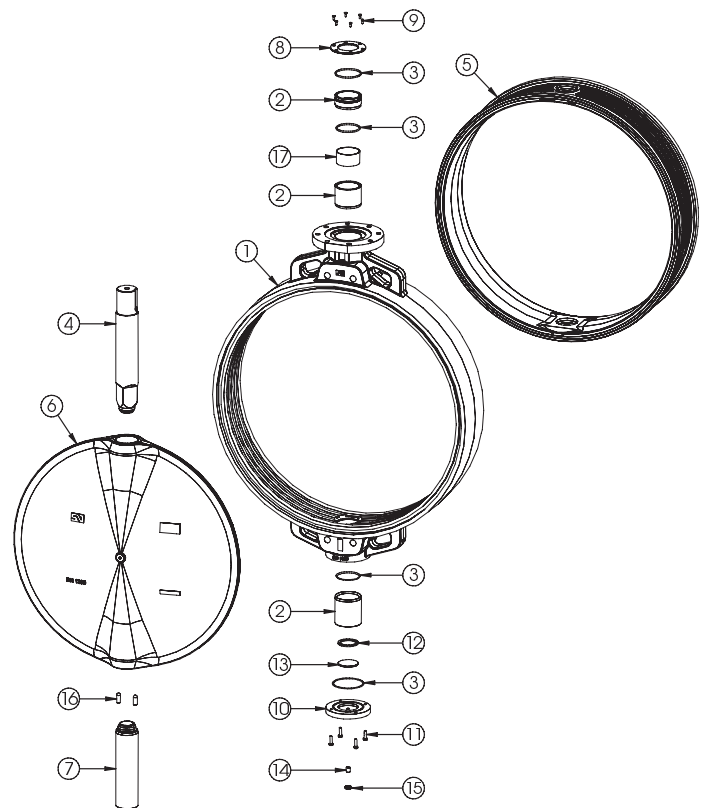


COMPONENTS RANGE DN 1200

Ref.	Description	Material	Coating
8	Upper lid	Carbon steel	Black powder epoxy
9	Upper lid screw	Galvanised steel	DIN 7991
10	Lower over	Galvanised steel	-
11	Lower screw	Galvanised steel	DIN 931
12	Lower elastic washer	Bronze	-
13	Disk	Galvanised steel	-
14	Screw	Galvanised steel	DIN 913
15	Pin	Galvanised steel	DIN 934
16	Guides	X20Cr13 Stainless steel as per EN10088-3	-
17	Bearing	Steel-Bz	PTFE



DN 1200

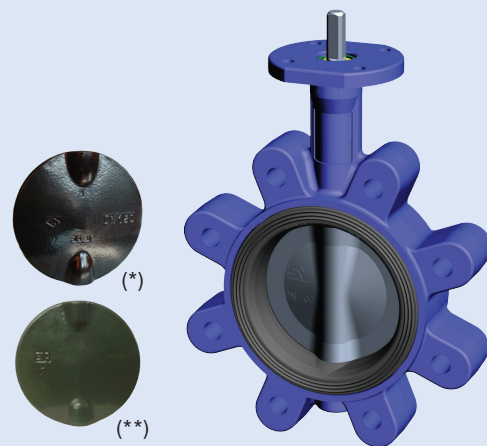


Lug BV drawings, materials and coatings

The Lug Butterfly Valve is manufactured for a range of diameters from DN 40 to DN 1000mm PFA 16 bar and DN 40-300 PFA 25 bar.

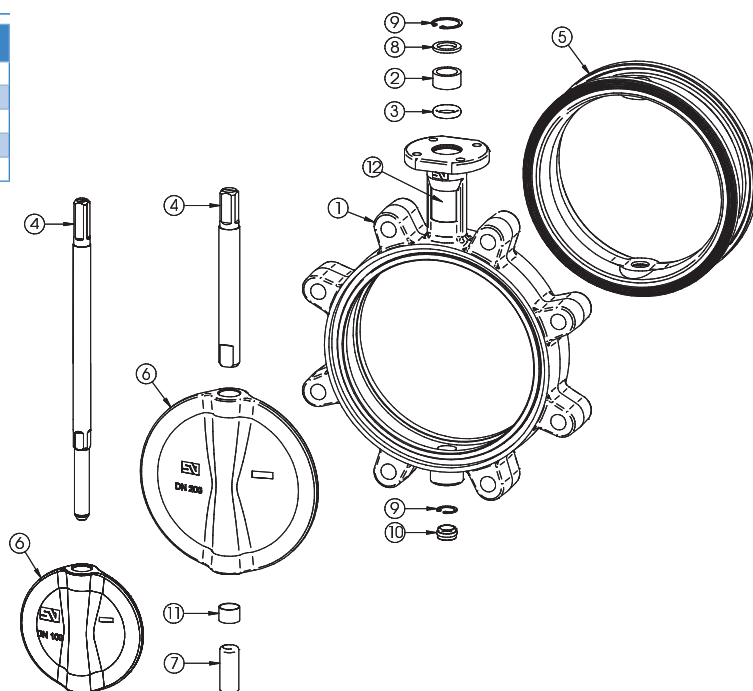
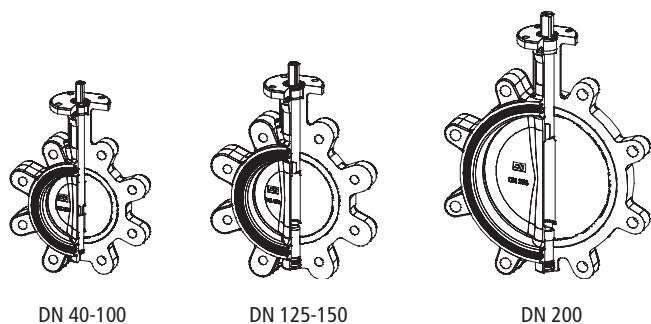
COMPONENTS COMMON TO LUG BV

Ref.	Description	Material	Coating
1	Valve body	Ductile iron EN GJS-400-15	Min. 150 µ RAL 5005 blue powder epoxy
2	Friction bearing	Acetal "DELRIN" (POM)	-
3	O-ring	Nitrile	-
4	Upper axle	X20Cr13 Stainless steel as per EN 10088-3	-
5	Seat	EPDM elastomer with ACS (nitrile in sanitation)	-
6	Butterfly	Ductile iron EN GJS-400-15 (*)	Min. 150 microns black powder epoxy with ACS
		CF8M stainless steel (**)	-
7	Lower axle	X20Cr13 Stainless steel as per EN 10088-3	-



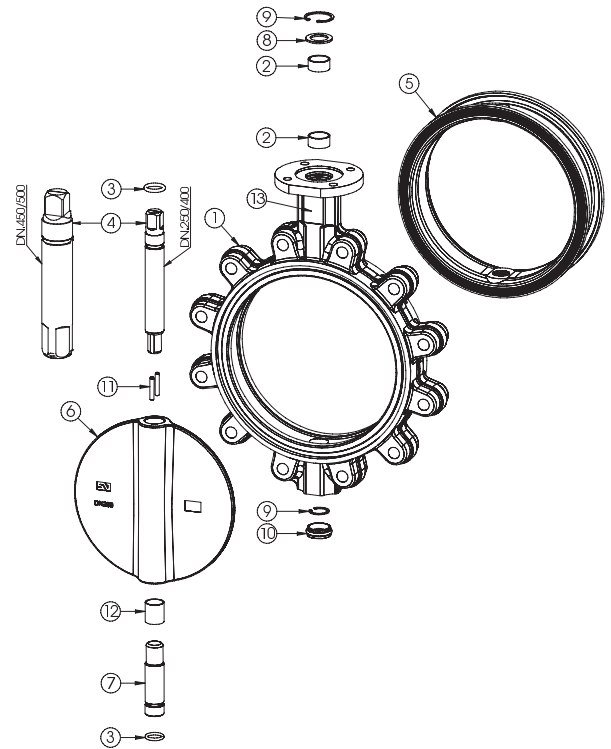
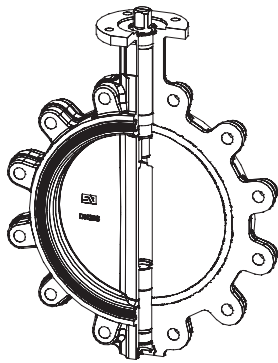
COMPONENTS RANGE DN 40-200

Ref.	Description	Material	Coating
8	Lock washer	Galvanised steel	-
9	Circlip	Galvanised steel	DIN 472
10	Lower plug	EPDM	-
11	Friction bearing	Acetal "DELRIN" (POM)	-
12	Marking	Polyester	-



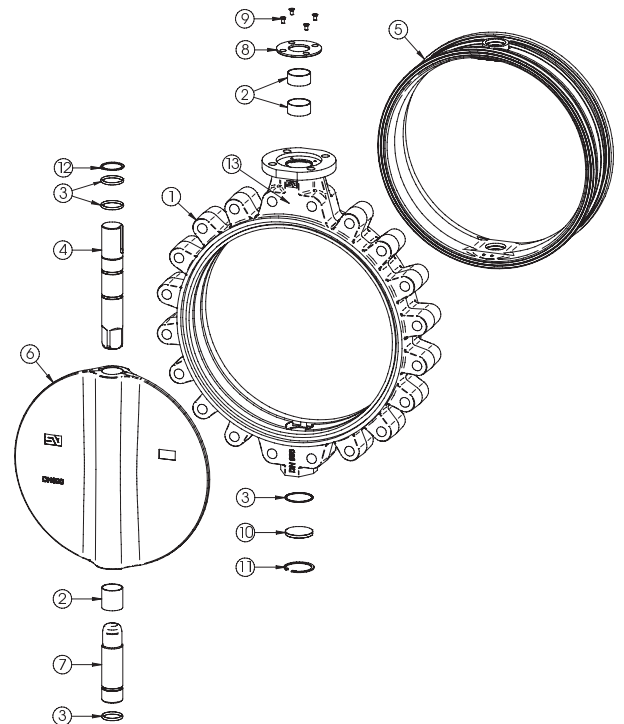
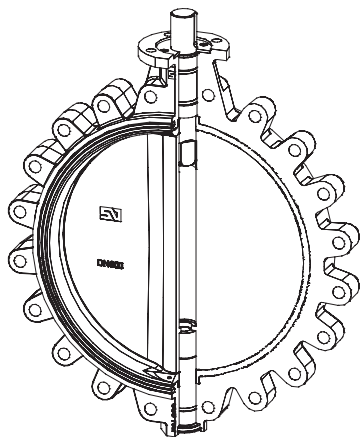
COMPONENTS RANGE DN 250-500

Ref.	Description	Material	Coating
8	Lock washer	Galvanised steel	-
9	Circlip	Galvanised steel	DIN 472
10	Lower plug	EPDM elastomer	-
11	Cylindrical pin (2 DN250-300) (4 DN350-400)	Carbon steel	100Cr6
12	Friction bearing	BZ steel	PTFE
13	Marking	Polyester	-



COMPONENTS RANGE DN 600-1000

Ref.	Description	Material	Coating
8	Upper lid	Carbon steel	Black powder epoxy
9	Circlip	Galvanised steel	DIN 472
10	Lower plug	EPDM elastomer	-
11	Elastic washer	Galvanised steel	-
12	Lock washer	Nickel steel	DIN 471
14	Marking	Polyester	-



Other materials and coatings suitable for your needs

- The Wafer and Lug type short pattern BV from PAM are suitable for all types of fluids and situations.
- The diversity of materials and coatings meet the market requirements of water, sanitation, industry and other applications.
- One solution for each fluid to be conveyed: drinking water, raw water, waste water, sea water, water with suspended solids, transporting steam viscous fluids, etc.

BODY

Standard solution

Material + coating	Standards conformity	Applications
Ductile iron + 150 µm RAL 5005 blue powder epoxy	EN GJS 400-15 (DIN 1693 GGG 40)	Prescriptive market

Other solutions

Material + coating	Standards conformity	Applications
Grey cast iron + 150 µm powder epoxy	EN GJL-250 (DIN 1691 GG 25)	Irrigation
Carbon steel + 150 µm powder epoxy	ASTM A 216 / A216M WCB	
Carbon steel + 150 µm powder epoxy	EN 10025 S 275 JR	
Stainless steel	ASTM A 351 / 351M CF8 / CF8M	Corrosive environment
Stainless steel	AISI 304 / 316	Corrosive environment
Aluminium	EN AC 47100 / EN AC 46100	Optimised weight
Bronze	DIN 1705 Rg 10	Corrosive environment

For other types of coatings, thicknesses or colours, see next page or contact our technical sales department.



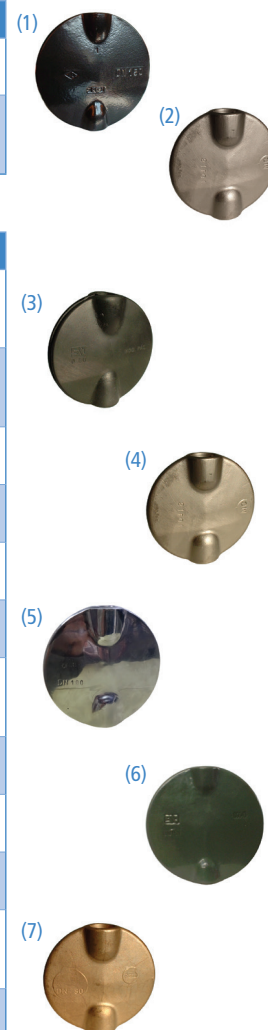
BUTTERFLY/DISK

Standard solution

Material + coating	Standards conformity	Characteristics	Applications
Black ductile iron + 150 µm black powder epoxy (1)	EN GJS 400-15 (DIN 1693 GGG 40)	Good mechanical resistance similar to carbon steel	Hot water (max. 90°C) air and gas
Stainless steel CF8M (2)	ASTM A 351 / 351M CF8 / CF8M	Very good chemical resistance and resistance to corrosion	Demineralised water, chemical and food products

Other solutions

Material + coating	Standards conformity	Characteristics	Applications
Vulcanised ductile iron (3)	EN GJS 400-15 (DIN 1693 GGG 40) + EPDM	Very good chemical resistance and resistance to corrosion	Fluids with suspended solids and sea water
Ductile Iron coated Rilsan®	EN GJS 400-15 (DIN 1693 GGG 40) + Rilsan®	Good mechanical resistance similar to carbon steel	Hot water (max. 90°), industrial oils, air, etc.
Stainless steel CF3M	A 351 Gr. CF3M	Very good chemical resistance and resistance to corrosion	Demineralised water, chemical and food products
Stainless steel CF8 (4)	ASTM A 351 / 351M CF8	Very good chemical resistance and resistance to corrosion	Chemical and food products
Stainless steel CF8M + polishing treatment (5)	ASTM A 351 / 351M CF8 / CF8M	Very good chemical resistance and resistance to corrosion	Chemical and food products
Stainless steel CF8M coated with HALAR (6)	ASTM A 351 / 351M CF8 / CF8M	Very good chemical resistance and resistance to corrosion	Chemical products and sea water
Duplex	ASTM A 351 / 351M CD4MCu (NORIDUR)	Very good chemical resistance and resistance to corrosion	Chemical products
Super duplex	14469	Very good chemical resistance and resistance to corrosion	Sea water and gas corrosives
Super austenitic	14539 B6 904L (Uranus)	Very good chemical resistance and resistance to corrosion	Chemical products
Bronze-Tin	DIN 1705 Rg 10 (DN<300)	Good mechanical resistance similar to carbon steel	Sea water
Bronze-Aluminium (7)	UNE EN 1982 (cual10fesni5c) (DN>350)	Good mechanical resistance similar to carbon steel	Sea water
Aluminium	En AC 44100	Very good chemical resistance and resistance to corrosion	Cold water and air
Carbon steel	ASTM A 216 / A216M WCB	Good mechanical resistance similar to carbon steel	Water and gas



All technical information about resistances, temperatures and applications is for information only. PAM reserves the right to change it without prior notice. PAM shall not be liable for possible consequences of wrong use of information included in these tables.

SEAT

Standard solution

Material	Name	SGPAM	Colour code	Permissible temperatures	Applications
	ISO 1629				
Ethylene Propylene (1)	EPDM	E ACS	-	-20°C +110°C	Water, sea water, weak acids and bases



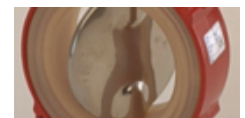
Other solutions

Material	Name	SGPAM	Colour code	Permissible temperatures	Applications
	ISO 1629				
Ethylene Propylene	EPDM	E	-	-20°C +110°C	Water, sea water, weak acids and bases
Ethylene Propylene with DVGW	EPDM	E DVGW	-	-20°C +95°C	Water, sea water, weak acids and bases
High temperature Ethylene Propylene	EPDM	HT	Grey	+80°C +130°C	Heating without presence of steam
Nitrile (2)	NBR	NC	Blue Yellow	-10°C +90°C	Oils and grease mineral and vegetal
Flucast AB/P	-	AP	Red	-10°C + 70°C	Powder abrasive products
Flucast AB/E	-	AE	Red Yellow	-20°C + 95°C	Oxygenated solvents, ketone, esters abrasive
Flucast AB/N	-	AN	Brown	-10°C + 100°C	Oils and grease mineral and vegetal abrasifs
Silicon (3)	MVQ	S	-	-60°C +200°C	Extreme temperature without presence of steam
Food Silicon (4)	MVQ	SA	-	- 60°C +200°C	Milk and food products
Steam Silicon (5)	MVQ	SV	Red White	-60°C +140°C	Steam at low pressure
Viton	FPM	V	Yellow	-15°C +210°C	Acids and fluids at high temperature
Hypalon®	CSM	H	Green	-25°C +125°C	Water, bases and acids non oxidative dissolved
Epichlorhydrine	ECO	EP	-	-40°C +125°C	Brine, low temperatures and hydrocarbons
Neoprene	CR	NP	White	-25°C + 80°C	Sea water, average resistance to oils and greases



OTHER COATINGS AND SURFACE TREATMENTS

Coating	Thickness	Applications
Power epoxy different colours (RAL)	150-300 µm	Protection for highly corrosive atmospheres
Resi-coat RT 9000 R4	150-300 µm	Good resistance at high T° food (KTW, WRC, KIWA)
Halar (Fluorescent)	500-800 µm	Good resistance to environments and high T° (150°)
Rilsan®	150-300 µm	High resistance to organic acids, salts, bases, solvents and hydrocarbons High resistance to abrasion and impacts.
Ebonite	-	Protection against water and sea



Surface treatment	Applications
Stainless steel shiny polishing	Pharmaceutical and food industry
Chromium	Highly aggressive environment



SHAFT

Basic solution is stainless steel AISI 420. For other requirements, here are other types of materials.

Material	Stainless steel	Duplex	Super Duplex	Alloy Ni-Cu	Alloy Al-Bronze	Alloy Ni-Cr-Mb
Description	AISI 316 and AISI 316 L	1.4462	1.4541	MONEL K 500	QAL-10 Cu Al10 Fe Ni S-C	INCONEL 625



In case of other very specific requests, please contact us.

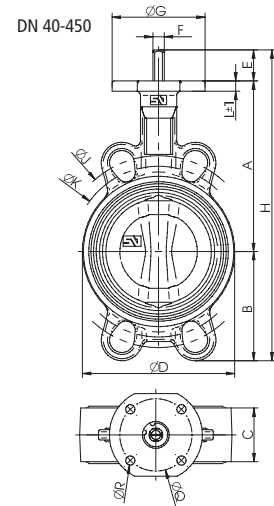
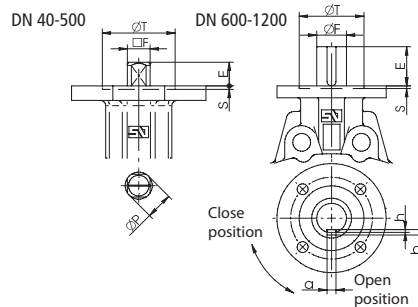
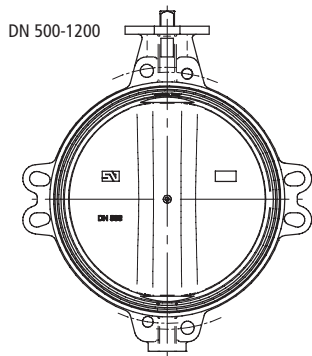
All technical information about resistances, temperatures and applications is for information only. PAM reserves the right to change it without prior notice.

Wafer BV dimensions and references

- The Wafer Butterfly Valve is manufactured for a range of diameters from DN 40 to DN 1200mm.
- Specially designed for conveyance of drinking water, pumping stations, waste water treatment, desalinisation, fire-fighting networks, naval construction, air-conditioning, etc. This BV is installed between two flanges using ties that do not allow isolating the two sides for network maintenance.



DN	Manual				Motorised				Pneumatic	
	Lever based		Gear unit based		Electric		Bernard			
	DI Disk	Stainless Steel disk	DI Disk	Stainless Steel disk	Auma	Stainless Steel disk	DI Disk	Stainless Steel disk	Double effect	Spring return
40	PN 10/16	PN25	PN 10/16	PN25	PN 10/16	PN25	PN 10/16	PN25	PN 10/16	PN 10/16
50										
60-65										
80										
100										
125	PN10	PN10	PN10 and PN16	PN10 and PN16	PN10 and PN16	PN10 and PN16	PN10 and PN16	PN10	PN10	
150										
200	PN10	PN10	PN10 and PN16	PN10 and PN16	PN10 and PN16	PN10 and PN16	PN10 and PN16	PN10 and PN16	PN10	PN10
250										
300										
350										
400										
450										
500										
600										
700										
800										
900	PN10	PN10								
1000	Contact us	Contact us								
1100										
1200										



SIZE WAFER BV BARE SHAFT

DN			General dimensions											
mm	Inches	ISO	A	B	C	D	E	F	G	H	J	L	K	Weight
40	1 1/2"	F-07	110	56	33	76	30	11	90	196	110	95	10	1.7
50	2"	F-07	120	61.5	43	100	30	11	90	211.5	123	120.6	10	2.4
65	2 1/2"	F-07	135	69	46	108	30	11	90	234	145	127	10	2.6
80	3"	F-07	141	94	46	124	30	11	90	265	160	145	10	3.1
100	4"	F-07	165	106	52	147	30	11	90	301	185.5	165	10	4.0
125	5"	F-07	180	126.5	56	180	33	14	90	339.5	225	206	12	6.1
150	6"	F-07	193	133	56	206	33	14	90	359	241.3	229	12	7.3
200	8"	F-07	225	170	60	257	33	17	90	428	305	280	12	11
250	10"	F-10	282.5	210	68	324	23	22	130	515.5	362	335	14	20.5
300	12"	F-10	308	240	78	376	23	22	130	571	431.8	394	14	29.5
350	14"	F-10	338.5	263	78	430	31	22	160	632.5	476.3	445	15	35.4
400	16"	F-12	380	308	102	485	31	27	160	719	540	510	18	55.7
450	18"	F-14	380.5	340	114	536	38	36	190	758.5			20	80.8
500	20"	F-14	432.5	380	127	593	38	36	210	850.5			20	114
600	24"	F-16	494	440	154	690	80	60	210	1014			24	170.6
700	28"	F-25	590	490	165	830	106	65	300	1186			30	252
800	32"	F-25	630	565	190	902	106	80	300	1301			28	347
900	36"	F-25	695	610	203	1010	110	80	350	1415			32	457
1000	40"	F-25	770	675	216	1116	110	80	350	1555			32	580
1100	44"	F-25	815	733	216	1215	110	80	350	1658			32	701
1200	48"	F-30	875	818	254	1334	110	100	350	1803			40	959

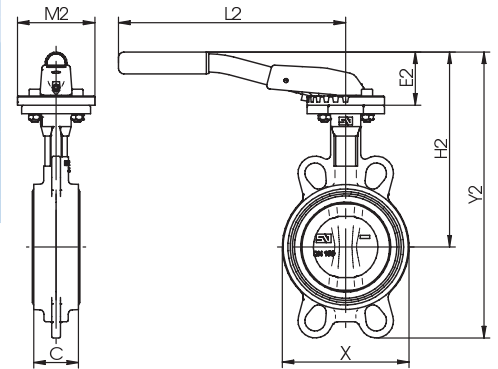
Dimensions in mm, weight in kg.

SIZE WAFER BV WITH HANDLEVER

"MN" TYPE

DN		Handlever								Weight
mm	Inches	C	X	E2	H2	Y2	L2	M2		
40	1½"	33	76	49	159	215	220	90	2.1	
50	2"	43	100	49	169	230	220	90	2.9	
65	2½"	46	108	49	184	253	220	90	3	
80	3"	46	124	60	201	295	260	90	3.6	
100	4"	52	147	60	225	331	260	90	4.4	
125	5"	56	180	75	255	381	315	90	6.6	
150	6"	56	206	75	268	401	315	90	7.6	
200	8"	60	257	75	300	470	315	90	11.6	

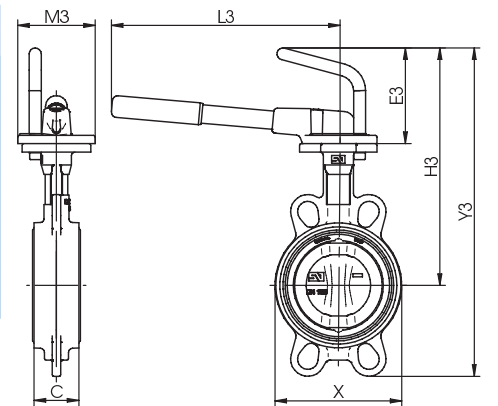
Dimensions in mm, weight in kg.



"MR" TYPE

DN		Handlever								Weight
mm	Inches	C	X	E3	H3	Y3	L3	M3		
40	1½"	33	76	115	225	281	260	90	2.3	
50	2"	43	100	115	235	296	260	90	3.1	
65	2½"	46	108	115	250	319	260	90	3.2	
80	3"	46	124	115	256	350	260	90	3.7	
100	4"	52	147	115	280	386	260	90	4.5	
125	5"	56	180	115	295	421	310	90	6.8	
150	6"	56	206	115	308	441	310	90	7.9	
200	8"	60	257	115	340	510	310	90	11.7	
250	10"	68	324	120	402	612	500	130	22.2	
300	12"	78	376	120	428	668	500	130	31.2	
350	14"	78	430	120	458	722	500	130	37.1	

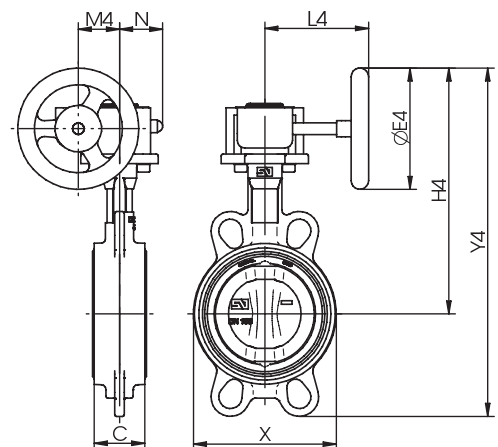
Dimensions in mm, weight in kg.



SIZE WAFER BV WITH MANUAL HANDWHEEL GEAR UNIT

DN		MDV type gear unit with handwheel										Weight
mm	Inches	C	X	Model	E4	H4	Y4	L4	M4	N		
40	1½"	33	76	MDV - 0	125	198	254	128	43,5	50	2.9	
50	2"	43	100	MDV - 0	125	208	269	128	43,5	50	3.7	
65	2½"	46	108	MDV - 0	125	223	292	128	43,5	50	3.8	
80	3"	46	124	MDV - 0	125	229	323	128	43,5	50	4.3	
100	4"	52	147	MDV - 0	125	253	359	128	43,5	50	5.2	
125	5"	56	180	MDV - 1	160	286	412	135	43,5	50	7.5	
150	6"	56	206	MDV - 1	160	298	431	135	43,5	50	8.7	
200	8"	60	257	MDV - 1A	200	355	525	152	52,5	57	13.6	
250	10"	68	324	MDV - 2	250	442	652	222	61	70	24	
300	12"	78	376	MDV - 2	250	468	708	222	61	70	33	
350	14"	78	430	MDV - 2	250	498	761	222	61	70	39	
400	16"	102	485	MDV - 2A	300	572	880	278	69	73	64.6	
450	18"	114	536	MDV - 3	400	630	970	321	96,5	92	99.2	
500	20"	127	593	MDV - 3	400	682	1062	321	96,5	92	132	
600	24"	154	690	MDV - 4	500	799	1239	408	138	140	205	
700	28"	165	830	MDV - 4	600	945	1435	424	138	140	331.8	
800	32"	190	902	MDV - 5	600	985	1550	456	138	156	423.6	
900	36"	203	1010	MDV - 6	700	1108	1718	510	180	156	557.0	
1000	40"	216	1116	MDV - 7	700	1183	1858	579	180	156	659.0	
1100	44"	216	1215	MDV - 7	700	1229	1962	579	180	156	786.0	
1200	48"	254	1134	MDV - 8	700	1310	2128	593	252	201	1256.6	

Dimensions in mm, weight in kg.

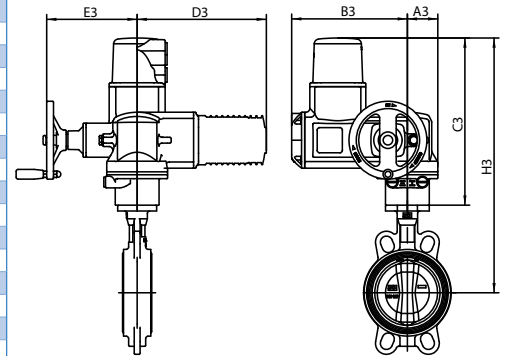


Wafer BV dimensions and references

SIZE AUMA ELECTRIC MOTORISED WAFER BV PFA10 bar

DN		Gear unit and servomotor mechanism	Dimensions						Weight (kg)
mm	Inches		A3	B3	C3	D3	E3	H3	
40	1 1/2"	SG 03.3	92	210	207	215	119	320	10.0
50	2"	SG 03.3	92	210	207	215	119	327	10.7
65	2 1/2"	SG 03.3	92	210	207	215	119	342	10.9
80	3"	SG 04.3	92	210	207	215	119	348	11.4
100	4"	SG 04.3	92	210	207	215	119	372	12.3
125	5"	SG05.1	63	238	344	265	186	524	29.1
150	6"	SG05.1	63	238	344	265	186	537	30.3
200	8"	SG07.1	63	238	344	265	186	569	34
250	10"	SG10.1	80	248	361	265	191	643.5	47.5
300	12"	SG10.1	80	248	361	265	191	669	56.5
350	14"	SG10.1	80	248	361	265	191	699.5	62.4
400	16"	SG12.1	105	248	385	265	191	765	87.7
450	18"	GS100.3/VZ4.3/SA07.2	112.5	255	447	265	216	827.5	124
500	20"	GS100.3/VZ4.3/SA07.2	112.5	255	447	265	216	879.5	157
600	24"	GS100.3/VZ4.3 + SA07.6	547	189	313	164	287	807	231
700	28"	GS125.3/VZ4.3 + SA10.2	554	194	323	158	316	913	324
750	30"	GS125.3/VZ4.3 + SA10.2	554	194	323	158	316	913	366
800	32"	GS125.3/VZ4.3 + SA10.2	554	194	323	158	316	953	419
900	36"	GS160.3/GZ160.3(8:1) + SA07.6	628	290	313	165	346	1008	575
1000	40"	GS160.3/GZ160.3(8:1) + SA10.2	630	290	323	165	351	1093	698
1100	44"	GS160.3/GZ160.3(8:1) + SA10.2	630	290	323	165	351	1138	819
1200	48"	GS200.3/GZ200.3(8:1) + SA10.2	760	366	338	208	391	1213	1156

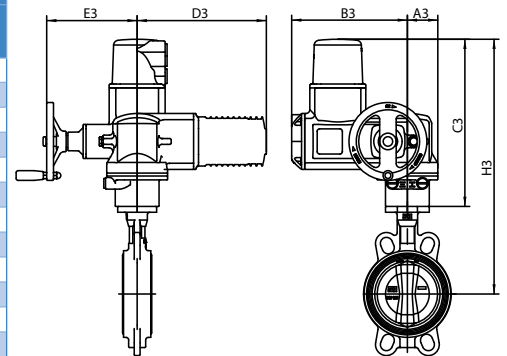
Dimensions in mm, weight in kg.



SIZE AUMA ELECTRIC MOTORISED WAFER BV PFA16 bar

DN		Gear unit and servomotor mechanism	Dimensions						Weight (kg)
mm	Inches		A3	B3	C3	D3	E3	H3	
200	8"	SG07.1	63	238	344	265	186	569	30
250	10"	SG10.1	80	248	361	265	191	643.5	46
300	12"	SG10.1	80	248	361	265	191	669	55
350	14"	SG12.1	105	248	385	265	191	723.5	65
400	16"	SG12.1	105	248	385	265	191	765	85
450	18"	GS100.3/VZ4.3/SA07.6	112.5	255	447	265	216	827.5	157
500	20"	GS100.3/VZ4.3/SA07.6	112.5	255	447	265	216	879.5	190
600	24"	GS100.3/VZ4.3 SA07.6	547	189	313	164	287	807	246.6
700	28"	GS125.3/VZ4.3 SA10.2	554	194	323	158	316	913	341
750	30"	GS125.3/VZ4.3 SA10.2	554	194	323	158	316	913	383
800	32"	GS160.3/GZ160.3(8:1) SA10.2	630	290	323	165	351	953	481
900	36"	GS160.3/GZ160.3(8:1) SA10.2	630	290	323	165	351	1018	591
1000	40"	GS200.3/GZ200.3(8:1) SA10.2	760	366	338	208	391	1108	793
1100	44"	GS200.3/GZ200.3(16:1) SA10.2	760	366	338	208	391	1153	914
1200	48"	GS200.3/GZ200.3(16:1) SA10.2	760	366	338	208	391	1213	1169

Dimensions in mm, weight in kg.



Contact us for the dimensions of Wafer BV with Bernard motorisation



References correspond to the Wafer BV with ductile iron body EN GJS-400-15 + RAL 5005 min. 150 microns powder coated epoxy and seat/joint in EPDM elastomer with ACS. Contact us for other materials.

For other types of seats, change the letter in position 10 of the reference: N=Nitrile, W=EPDM DVGW, V=Viton.

REFERENCES WAFER BV PFA16 bar BARE SHAFT

DN mm	Weight (kg) PN10/16	DI butterfly + black 150 µm powder epoxy		CF8M stainless steel disk	
		PN10	PN16	PN10-	PN16
40	1.70	VWA40FACWE		VWA40AACWE	
50	2.40	VWA50FACWE		VWA50AACWE	
65	2.60	VWA65FACWE		VWA65AACWE	
80	3.10	VWA80FACWE		VWA80AACWE	
100	4.00	VWB10FACWE		VWB10AACWE	
125	6.10	VWB12FACWE		VWB12AACWE	
150	7.30	VWB15FACWE		VWB15AACWE	
200	11.00	VWB20FABWE	VWB20FAAWE	VWB20AABWE	VWB20AAAWE
250	20.50	VWB25FABWE	VWB25FAAWE	VWB25AABWE	VWB25AAAWE
300	29.50	VWB30FABWE	VWB30FAAWE	VWB30AABWE	VWB30AAAWE
350	35.40	VWB35FABWE	VWB35FAAWE	VWB35AABWE	VWB35AAAWE
400	55.70	VWB40FABWE	VWB40FAAWE	VWB40AABWE	VWB40AAAWE
450	80.80	VWB45FABWE	VWB45FAAWE	VWB45AABWE	VWB45AAAWE
500	114.00	VWB50FABWE	VWB50FAAWE	VWB50AABWE	VWB50AAAWE
600	170.60	VWB60FABWE	VWB60FAAWE	VWB60AABWE	VWB60AAAWE
700	252.00	VWB70FABWE	VWB70FAAWE	VWB70AABWE	VWB70AAAWE
800	347.00	VWB80FABWE	VWB80FAAWE	VWB80AABWE	VWB80AAAWE
900	457.00	VWB90FABWE	VWB90FAAWE	VWB90AABWE	VWB90AAAWE
1000	580.00	VWC10FABWE	VWC10FAAWE	VWC10AABWE	VWC10AAAWE
1100	701.00	VWC11FABWE	VWC11FAAWE	VWC11AABWE	VWC11AAAWE
1200	959.00	VWC12FABWE	VWC12FAAWE	VWC12AABWE	VWC12AAAWE



Wafer BV PFA25 bar DN 40-300 bare shaft (CF8M stainless steel butterfly), change position 8 letter with "D".

REFERENCES RAP WAFER PFA16 bar MANUAL WITH HANDLEVER

DN mm	Type Lever	Weight (kg) PN10/16	Butterfly FD + epoxy poudre 150 µm noir		CF8M stainless steel disk	
			PN10	PN16	PN10-	PN16
40	MN	2.1	VWA40FLCWE		VWA40ALCWE	
50	MN	2.9	VWA50FLCWE		VWA50ALCWE	
65	MN	3.0	VWA65FLCWE		VWA65ALCWE	
80	MN	3.6	VWA80FLCWE		VWA80ALCWE	
100	MN	4.4	VWB10FLCWE		VWB10ALCWE	
125	MN	6.6	VWB12FLCWE		VWB12ALCWE	
150	MN	7.9	VWB15FLCWE		VWB15ALCWE	
200	MR	11.7	VWB20FLBWE	VWB20FLAWE	VWB20ALBWE	VWB20ALAWWE
250	MR	22.2	VWB25FLBWE	VWB25FLAWE	VWB25ALBWE	VWB25ALAWWE
300	MR	31.2	VWB30FLBWE	VWB30FLAWE	VWB30ALBWE	VWB30ALAWWE



Wafer BV PFA25 bar DN 40-100 (CF8M stainless steel butterfly), change position 8 letter with "D".

Contact us for MR lever DN 40-150.

REFERENCES WAFER BV PFA16 bar MANUAL HANDWHEEL WITH MDV GEAR UNIT

DN mm	Weight (kg) PN10/16	Gear unit	DI butterfly + black 150 µm powder		CF8M stainless steel disk	
			PN10	PN16	PN10-	PN16
40	2.9	MDV - 0	VWA40FBCWE		VWA40ABCWE	
50	3.7	MDV - 0	VWA50FBCWE		VWA50ABCWE	
65	3.8	MDV - 0	VWA65FBCWE		VWA65ABCWE	
80	4.3	MDV - 0	VWA80FBCWE		VWA80ABCWE	
100	5.2	MDV - 0	VWB10FBCWE		VWB10ABCWE	
125	7.5	MDV - 1	VWB12FBCWE		VWB12ABCWE	
150	8.7	MDV - 1	VWB15FBCWE		VWB15ABCWE	
200	13.6	MDV - 1A	VWB20FBBWE	VWB20FBAWE	VWB20ABBWE	VWB20ABAWWE
250	24.0	MDV - 2	VWB25FBBWE	VWB25FBAWE	VWB25ABBWE	VWB25ABAWWE
300	33.0	MDV - 2	VWB30FBBWE	VWB30FBAWE	VWB30ABBWE	VWB30ABAWWE
350	39.0	MDV - 2	VWB35FBBWE	VWB35FBAWE	VWB35ABBWE	VWB35ABAWWE
400	64.6	MDV - 2A	VWB40FBBWE	VWB40FBAWE	VWB40ABBWE	VWB40ABAWWE
450	99.2	MDV - 3	VWB45FBBWE	VWB45FBAWE	VWB45ABBWE	VWB45ABAWWE
500	132.0	MDV - 3	VWB50FBBWE	VWB50FBAWE	VWB50ABBWE	VWB50ABAWWE
600	205.0	MDV - 4	VWB60FBBWE	VWB60FBAWE	VWB60ABBWE	VWB60ABAWWE
700	331.8	MDV - 4	VWB70FBBWE	VWB70FBAWE	VWB70ABBWE	VWB70ABAWWE
800	423.6	MDV - 5	VWB80FBBWE	VWB80FBAWE	VWB80ABBWE	VWB80ABAWWE
900	557.0	MDV - 6	VWB90FBBWE	VWB90FBAWE	VWB90ABBWE	VWB90ABAWWE
1000	659.0	MDV - 7	VWC10FBBWE	VWC10FBAWE	VWC10ABBWE	VWC10ABAWWE
1100	786.0	MDV - 7	VWC11FBBWE	VWC11FBAWE	VWC11ABBWE	VWC11ABAWWE
1200	1257.6	MDV - 8	VWC12FBBWE	VWC12FBAWE	VWC12ABBWE	VWC12ABAWWE

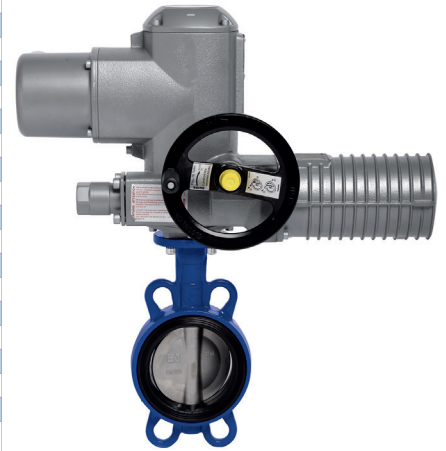


Wafer BV PFA25 bar DN 40-300 with MDV manual gear unit (CF8M stainless steel disk), change position 8 letter with "D".

Wafer BV dimensions and references

REFERENCES AUMA ELECTRIC MOTORISED WAFER BV PFA10 bar

DN	PN	Auma Motor/gear unit	Auma Single-phase			Auma Three-phase		
			Weight (kg)	DI Disk + epoxy 150 µm	CF8M stainless steel disk	Weight (kg)	DI Disk + epoxy 150 µm	CF8M stainless steel disk
40	10/16	SG03.3	10,0	VWA40FMCWE	VWA40AMCWE	10,0	VWA40FECWE	VWA40AECWE
50	10/16	SG03.3	10,7	VWA50FMCWE	VWA50AMCWE	10,7	VWA50FECWE	VWA50AECWE
65	10/16	SG03.3	10,9	VWA65FMCWE	VWA65AMCWE	11,3	VWA65FECWE	VWA65AECWE
80	10/16	SG04.3	11,4	VWA80FMCWE	VWA80AMCWE	11,5	VWA80FECWE	VWA80AECWE
100	10/16	SG04.3	12,3	VWB10FMCWE	VWB10AMCWE	12,3	VWB10FECWE	VWB10AECWE
125	10/16	SG05.1	29,1	VWB12FMCWE	VWB12AMCWE	24,1	VWB12FECWE	VWB12AECWE
150	10/16	SG05.1	30,3	VWB15FMCWE	VWB15AMCWE	25,5	VWB15FECWE	VWB15AECWE
200	10	SG07.1	34,0	VWB20FMBWE	VWB20AMBWE	29,0	VWB20FEBWE	VWB20AEBWE
250	10	SG10.1	47,5	VWB25FMBWE	VWB25AMBWE	45,0	VWB25FEBWE	VWB25AEBWE
300	10	SG10.1	56,5	VWB30FMBWE	VWB30AMBWE	54,0	VWB30FEBWE	VWB30AEBWE
350	10	SG10.1	62,4	VWB35FMBWE	VWB35AMBWE	60,0	VWB35FEBWE	VWB35AEBWE
400	10	SG12.1	87,7	VWB40FMBWE	VWB40AMBWE	84,0	VWB40FEBWE	VWB40AEBWE
450	10	GS100.3/VZ4.3/SA07.2	124,0	VWB45FMBWE	VWB45AMBWE	141,0	VWB45FEBWE	VWB45AEBWE
500	10	GS100.3/VZ4.3/SA07.2	157,0	VWB50FMBWE	VWB50AMBWE	174,0	VWB50FEBWE	VWB50AEBWE
600	10	GS100.3/VZ4.3/SA07.6	231,0	VWB60FMBWE	VWB60AMBWE	231,6	VWB60FEBWE	VWB60AEBWE
700	10	GS125.3/VZ4.3/SA10.2	324,0	VWB70FMBWE	VWB70AMBWE	326,0	VWB70FEBWE	VWB70AEBWE
750	10	GS125.3/VZ4.3/SA10.2	366,0	VWB75FMBWE	VWB75AMBWE	368,0	VWB75FEBWE	VWB75AEBWE
800	10	GS125.3/VZ4.3/SA10.2	419,0	VWB80FMBWE	VWB80AMBWE	421,0	VWB80FEBWE	VWB80AEBWE
900	10	GS160.3/ GZ160.3(8:1)/SA07.6	575,0	VWB90FMBWE	VWB90AMBWE	570,0	VWB90FEBWE	VWB90AEBWE
1000	10	GS160.3/ GZ160.3(8:1)/SA10.2	698,0	VWC10FMBWE	VWC10AMBWE	699,0	VWC10FEBWE	VWC10AEBWE
1100	10	GS160.3/ GZ160.3(8:1)/SA10.2	819,0	VWC11FMBWE	VWC11AMBWE	820,0	VWC11FEBWE	VWC11AEBWE
1200	10	GS200.3/ GZ200.3(8:1)/SA10.2	1 156,0	VWC12FMBWE	VWC12AMBWE	1 154,0	VWC12FEBWE	VWC12AEBWE



REFERENCES AUMA ELECTRIC MOTORISED WAFER BV PFA16 bar

DN	PN	Auma Motor/gear unit	Auma Single-phase			Auma Three-phase		
			Weight (kg)	DI Disk + epoxy 150 µm	CF8M stainless steel disk	Weight (kg)	DI Disk + epoxy 150 µm	CF8M stainless steel disk
200	16	SG07.1	30,0	VWB20FMAWE	VWB20AMAWWE	29,0	VWB20FEAWWE	VWB20AEAWWE
250	16	SG10.1	46,0	VWB25FMAWE	VWB25AMAWWE	45,0	VWB25FEAWWE	VWB25AEAWWE
300	16	SG10.1	55,0	VWB30FMAWE	VWB30AMAWWE	54,0	VWB30FEAWWE	VWB30AEAWWE
350	16	SG12.1	65,0	VWB35FMAWE	VWB35AMAWWE	64,0	VWB35FEAWWE	VWB35AEAWWE
400	16	SG12.1	85,0	VWB40FMAWE	VWB40AMAWWE	84,0	VWB40FEAWWE	VWB40AEAWWE
450	16	GS100.3/VZ4.3/SA07.6	157,0	VWB45FMAWE	VWB45AMAWWE	142,0	VWB45FEAWWE	VWB45AEAWWE
500	16	GS100.3/VZ4.3/SA07.6	190,0	VWB50FMAWE	VWB50AMAWWE	175,0	VWB50FEAWWE	VWB50AEAWWE
600	16	GS100.3/VZ4.3/SA07.6	246,6	VWB60FMAWE	VWB60AMAWWE	231,6	VWB60FEAWWE	VWB60AEAWWE
700	16	GS125.3/VZ4.3/SA10.2	341,0	VWB70FMAWE	VWB70AMAWWE	326,0	VWB70FEAWWE	VWB70AEAWWE
750	16	GS125.3/VZ4.3/SA10.2	383,0	VWB75FMAWE	VWB75AMAWWE	368,0	VWB75FEAWWE	VWB75AEAWWE
800	16	GS160.3/GZ160.3(8:1)/ SA10.2	481,0	VWB80FMAWE	VWB80AMAWWE	466,0	VWB80FEAWWE	VWB80AEAWWE
900	16	GS160.3/GZ160.3(8:1)/ SA10.2	591,0	VWB90FMAWE	VWB90AMAWWE	576,0	VWB90FEAWWE	VWB90AEAWWE
1000	16	GS200.3/GZ200.3(8:1)/ SA10.2	793,0	VWC10FMAWE	VWC10AMAWWE	778,0	VWC10FEAWWE	VWC10AEAWWE
1100	16	GS200.3/ GZ200.3(16:1)/SA10.2	914,0	VWC11FMAWE	VWC11AMAWWE	899,0	VWC11FEAWWE	VWC11AEAWWE
1200	16	GS200.3/ GZ200.3(16:1)/SA10.2	1 169,0	VWC12FMAWE	VWC12AMAWWE	1 154,0	VWC12FEAWWE	VWC12AEAWWE



REFERENCES AUMA ELECTRIC MOTORISED WAFER BV PFA25 bar

DN 40-300 CF8M stainless steel disk, change position 8 letter with "D".

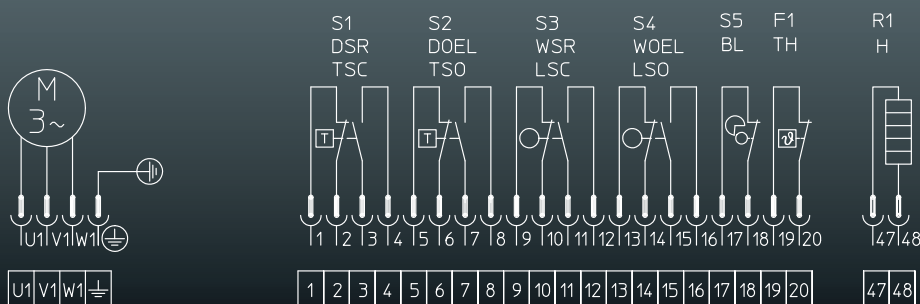


Diagram provided for information only.
PAM shall not be liable for the wrong use of information included in this diagram.

REFERENCES BERNARD ELECTRIC MOTORISED WAFER BV PFA10 bar

DN	PN	Bernard Moteur / Gear unit	Bernard Single-phase			Bernard Three-phase		
			Weight (kg)	DI Disk + epoxy 150 µm	CF8M stainless steel disk	Weight (kg)	DI Disk + epoxy 150 µm	CF8M stainless steel disk
40	10/16	OA-6	7,7	VWA40FZCWE	VWA40AZCWE	8,5	VWA40FYCWE	VWA40AYCWE
50	10/16	OA-6	8,4	VWA50FZCWE	VWA50AZCWE	8,7	VWA50FYCWE	VWA50AYCWE
65	10/16	OA-6	9,0	VWA65FZCWE	VWA65AZCWE	10,0	VWA65FYCWE	VWA65AYCWE
80	10/16	OA-6	9,2	VWA80FZCWE	VWA80AZCWE	10,0	VWA80FYCWE	VWA80AYCWE
100	10/16	OA-6	11,0	VWB10FZCWE	VWB10AZCWE	10,2	VWB10FYCWE	VWB10AYCWE
125	10/16	OA-8	13,1	VWB12FZCWE	VWB12AZCWE	11,0	VWB12FYCWE	VWB12AYCWE
150	10/16	OA-15	14,5	VWB15FZCWE	VWB15AZCWE	13,1	VWB15FYCWE	VWB15AYCWE
200	10	OA15	18,0	VWB20FZBWE	VWB20AZBWE	14,5	VWB20FYBWE	VWB20AYBWE
250	10	ASP	36,0	VWB25FZBWE	VWB25AZBWE	18,0	VWB25FYBWE	VWB25AYBWE
300	10	AS-50	50,0	VWB30FZBWE	VWB30AZBWE	36,0	VWB30FYBWE	VWB30AYBWE
350	10	AS-80	57,0	VWB35FZBWE	VWB35AZBWE	50,0	VWB35FYBWE	VWB35AYBWE
400	10	AS-100	103,0	VWB40FZBWE	VWB40AZBWE	57,0	VWB40FYBWE	VWB40AYBWE
450	10	AS-200	145,0	VWB45FZBWE	VWB45AZBWE	103,0	VWB45FYBWE	VWB45AYBWE
500	10	AS-200	178,0	VWB50FZBWE	VWB50AZBWE	145,0	VWB50FYBWE	VWB50AYBWE
600	10	AS-400	237,6	VWB60FZBWE	VWB60AZBWE	178,0	VWB60FYBWE	VWB60AYBWE
700	10	AS-600	344,0	VWB70FZBWE	VWB70AZBWE	237,6	VWB70FYBWE	VWB70AYBWE
750	10	AS-1000	386,0	VWB75FZBWE	VWB75AZBWE	336,0	VWB75FYBWE	VWB75AYBWE
800	10	AS-1000	439,0	VWB80FZBWE	VWB80AZBWE	386,0	VWB80FYBWE	VWB80AYBWE
900	10	AS-1000	549,0	VWB90FZBWE	VWB90AZBWE	439,0	VWB90FYBWE	VWB90AYBWE
1000	10	ASM1+SBWG05-1-SDM	NC	VWC10FZBWE	VWC10AZBWE	549,0	VWC10FYBWE	VWC10AYBWE
1100	10	ASM2+SBWG55-1-SDM	NC	VWC11FZBWE	VWC11AZBWE	NC	VWC11FYBWE	VWC11AYBWE
1200	10	ASM2+SBWG55-1-SDM	NC	VWC12FZBWE	VWC12AZBWE	NC	VWC12FYBWE	VWC12AYBWE



REFERENCES BERNARD ELECTRIC MOTORISED WAFER BV PFA16 bar

DN	PN	Moteur / Gear unit Bernard	Bernard Single-phase			Bernard Three-phase		
			Weight (kg)	DI Disk + epoxy 150 µm	CF8M stainless steel disk	Weight (kg)	DI Disk + epoxy 150 µm	CF8M stainless steel disk
200	16	ASP	26,0	VWB20FZAWE	VWB20AZAWE	26,0	VWB20FYAWE	VWB20AYAWE
250	16	AS-50	41,0	VWB25FZAWE	VWB25AZAWE	41,0	VWB25FYAWE	VWB25AYAWE
300	16	AS-80	51,0	VWB30FZAWE	VWB30AZAWE	51,0	VWB30FYAWE	VWB30AYAWE
350	16	AS-100	83,0	VWB35FZAWE	VWB35AZAWE	83,0	VWB35FYAWE	VWB35AYAWE
400	16	AS-100	103,0	VWB40FZAWE	VWB40AZAWE	103,0	VWB40FYAWE	VWB40AYAWE
450	16	AS-200	145,0	VWB45FZAWE	VWB45AZAWE	145,0	VWB45FYAWE	VWB45AYAWE
500	16	AS-200	178,0	VWB50FZAWE	VWB50AZAWE	178,0	VWB50FYAWE	VWB50AYAWE
600	16	AS-400	237,6	VWB60FZAWE	VWB60AZAWE	237,6	VWB60FYAWE	VWB60AYAWE
700	16	AS-600	344,0	VWB70FZAWE	VWB70AZAWE	336,0	VWB70FYAWE	VWB70AYAWE
750	16	AS-1000	386,0	VWB75FZAWE	VWB75AZAWE	386,0	VWB75FYAWE	VWB75AYAWE
800	16	AS-1000	439,0	VWB80FZAWE	VWB80AZAWE	439,0	VWB80FYAWE	VWB80AYAWE
900	16	ASM1+SBWG05-1-SDM	NC	VWB90FZAWE	VWB90AZAWE	NC	VWB90FYAWE	VWB90AYAWE
1000	16	ASM2+SBWG55-1-SDM	NC	VWC10FZAWE	VWC10AZAWE	NC	VWC10FYAWE	VWC10AYAWE
1100	16	ASM2+SBWG55-1-SDM	NC	VWC11FZAWE	VWC11AZAWE	NC	VWC11FYAWE	VWC11AYAWE
1200	16	ST70+SBWG55-1-SM	NC	VWC12FZAWE	VWC12AZAWE	NC	VWC12FYAWE	VWC12AYAWE



REFERENCES BERNARD ELECTRIC MOTORISED WAFER BV PFA25 bar

DN 40-300 CF8M stainless steel disk, change position 8 letter with "D".

REFERENCES PNEUMATIC MOTORISED WAFER BV

- Spring return: DN40-150 PFA10/16 bar and DN200-500 PFA10 bar, change position 7 letter with "X"
- Double effect: DN40-150 PFA10/16 bar and DN200-600 PFA10 bar, change position 7 letter with "P"

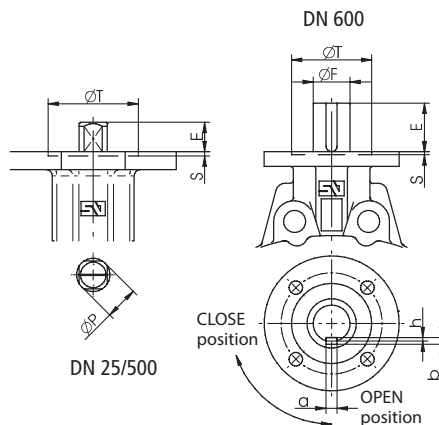
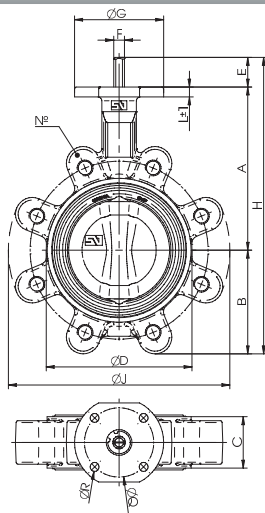


Lug BV dimensions and references

- The Lug Butterfly Valve is manufactured for a range of diameters from DN 40 to DN 1000 mm.
- The connection between flanges of the network is made with screws located on each side of the BV and screwed to the body of the valve. This assembly allows dismantling the valve from one side of the installation while keeping the other side pressurised and fully operational. This Lug BV offers greater simplification during the time of assembly that requires isolating the line temporarily, as well as for removing pumps, tanks, boat shells, etc.



DN	Manual				Motorised				Pneumatic	
	Lever based		Gear unit based		Electric					
	DI Disk	Stainless Steel disk	DI Disk	Stainless Steel disk	Auma DI Disk	Stainless Steel disk	Bernard DI Disk	Stainless Steel disk	Double effect	Spring return
40	PN10/ PN16	PN25	PN10/ PN16	PN25	PN10/ PN16	PN25	PN10/ PN16	PN25	PN10/ PN16	PN10/ PN16
50										
60-65										
80										
100										
125	PN10	PN10	PN10 and PN16	PN10 and PN16	PN10 and PN16	PN10 and PN16	PN10 and PN16	PN10 and PN16	PN16	PN16
150										
200	PN10	PN10	PN10 and PN16	PN10 and PN16	PN10 and PN16	PN10 and PN16	PN10 and PN16	PN10 and PN16	PN10	PN10
250										
300										
350										
400										
450										
500										
600										
700										
800										
900	Contact us	Contact us	Contact us	Contact us	Contact us	Contact us	Contact us	Contact us	Contact us	Contact us
1000										



SIZE LUG BV BARE SHAFT

DN		ISO	N°	General dimensions											Weight
mm	Inches			A	B	C	D	E	F	G	H	J	L		
40	1 ½"	F-07	4	110	54	33	76	30	11	90	194	140	10	2	
50	2"	F-07	4	120	59.5	43	100	30	11	90	209.5	156	10	2.9	
65 (*)	2 ½"	F-07	4	135	66.5	46	108	30	11	90	231.5	175	10	3.3	
65	2 ½"	F-07	8	135	82	46	108	30	11	90	247	175	10	4	
80 (*)	3"	F-07	8	141	91	46	124	30	11	90	262	194	10	4.8	
80	3"	F-07	4	141	75	46	124	30	11	90	246	185	10	3.5	
100	4"	F-07	8	165	105	52	147.3	30	11	90	300	224	10	6.3	
125	5"	F-07	8	180	125	56	180	33	14	90	338	267	12	9.8	
150	6"	F-07	8	193	136.5	56	206.5	33	14	90	362.5	292	12	10.5	
200 (*)	8"	F-07	8	225	156	60	257	33	17	90	414	334	12	13.9	
200	8"	F-07	12	225	171	60	257	33	17	90	429	352	12	17.5	
250	10"	F-10	12	282.5	210	68	324	23	22	130	515.5	409	14	26.6	
300	12"	F-10	12	308	240	78	383	23	22	130	571	480	14	39.5	
350 (*)	14"	F-10	16	338.5	263	78	437	31	22	160	632.5	522	18	56	
350	14"	F-10	12	338.5	263	78	437	31	22	160	632.5	522	18	55.5	
400	16"	F-12	16	380	308	102	486	31	27	160	719	595	17	73.6	
450 (*)	18"	F-14	20	380.5	340	114	538	38	36	190	758.5	633	20	103	
450	18"	F-14	16	380.5	340	114	538	38	36	190	758.5	633	20	96.3	
500	20"	F-14	20	432.5	380	127	586	38	36	210	850.5	717	20	149	
600	24"	F-16	20	494	440	154	690	80	60	210	1014	833	24	215	
700	28"	F-25	24	590	490	165	832	106	65	300	1186	904	30	287	
800	32"	F-25	24	630	565	190	902	106	80	300	1301	1020	28	406	
1000	40"	F-25	28	770	675	216	1116	110	80	350	1555	1246	32	672	

Dimensions in mm, weight in kg.

(*) PN10 Standard. DN 750 and DN 900: contact us.

SIZE LUG BV WITH HANDLEVER

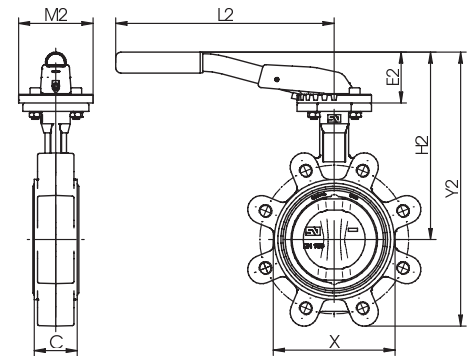
"MN" TYPE

DN		handlever								
mm	Inches	Standard	C	X	E2	H2	Y2	L2	M2	Weight
40	1½"	PN.10-16-ANSI 150	33	76	49	150	213	220	90	2.4
50	2"	PN.10-16-ANSI 150	43	100	49	169	228	220	90	3.3
65 (*)	2½"	PN.10-16-ANSI 150	46	108	49	184	250	220	90	3.7
65	2½"	PN.16-EN.1092.1	46	108	49	184	200	220	90	4.4
80 (*)	3"	PN.10-16	46	124	60	201	292	260	90	5.2
80	3"	ANSI 150	46	124	60	201	276	260	90	3.9
100	4"	PN.10-16-ANSI 150	52	147	60	225	330	260	90	6.8
125	5"	PN.10-16-ANSI 150	56	180	75	255	380	315	90	10.3
150	6"	PN.10-16-ANSI 150	56	206	75	268	404	315	90	10.9
200 (*)	8"	PN.10-ANSI 150	60	257	75	300	456	315	90	14.5
200		PN.16	60	257	75	300	471	315	90	18.1

Dimensions in mm, weight in kg.

ANSI 150 = PN20.

(*) PN10 Standard.



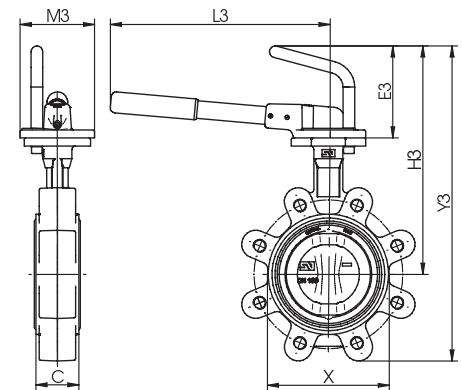
"MR" TYPE

DN		handlever								
mm	Inches	Standard	C	X	E3	H3	Y3	L3	M3	Weight
40	1½"	PN.10-16-ANSI 150	33	76	115	225	279	260	90	3.5
50	2"	PN.10-16-ANSI 150	43	100	115	235	294	260	90	3.9
65 (*)	2½"	PN.10-16-ANSI 150	46	108	115	250	316	260	90	4.6
65	2½"	PN.16-EN.1092.1	46	108	115	250	332	260	90	5.3
80 (*)	3"	PN.10-16	46	124	115	256	347	260	90	4
80	3"	ANSI 150	46	124	115	256	331	260	90	6.9
100	4"	PN.10-16-ANSI 150	52	147	115	280	385	260	90	10.5
125	5"	PN.10-16-ANSI 150	56	180	115	295	420	310	90	11.2
150	6"	PN.10-16-ANSI 150	56	206	115	308	444	310	90	14.6
200 (*)	8"	PN.10-ANSI 150	60	257	115	340	496	310	90	18.2
200		PN.16	60	257	115	340	511	310	90	28.2
250	10"	PN.10-16-ANSI 150	68	324	120	402	612	500	130	41.2
300	12"	PN.10-16-ANSI 150	78	383	120	428	668	500	130	57.7
350 (*)	14"	PN.10-16	78	437	120	458	722	500	130	57.2
350	14"	ANSI 150	78	437	120	458	722	500	130	

Dimensions in mm, weight in kg.

ANSI 150 = PN20.

(*) PN10 Standard.



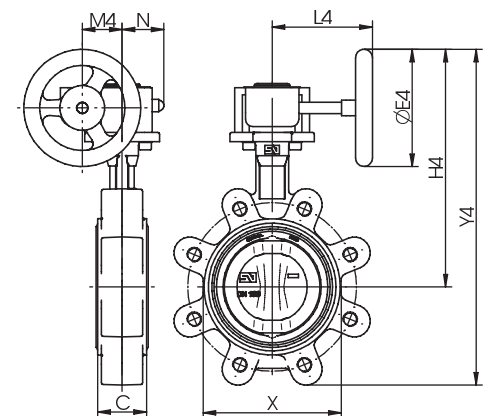
SIZE RAP LUG GEARBOX MANUAL HANDWHEEL

DN		Gear unit type MDV with volant										
mm	Inches	Standard	C	X	Model	E4	H4	Y4	L4	M4	N	Weight
40	1½"	PN.10-16-ANSI 150	33	76	MDV - 0	125	198	252	128	43.5	50	3.2
50	2"	PN.10-16-ANSI 150	43	100	MDV - 0	125	208	267	128	43.5	50	4.1
65 (*)	2½"	PN.10-16-ANSI 150	46	108	MDV - 0	125	223	289	128	43.5	50	4.5
65	2½"	PN.16-EN.1092.1	46	108	MDV - 0	125	223	305	128	43.5	50	5.2
80 (*)	3"	PN.10-16	46	124	MDV - 0	125	229	320	128	43.5	50	5.9
80	3"	ANSI 150	46	124	MDV - 0	125	229	304	128	43.5	50	4.6
100	4"	PN.10-16-ANSI 150	52	147	MDV - 0	125	253	358	128	43.5	50	7.6
125	5"	PN.10-16-ANSI 150	56	180	MDV - 1	160	286	411	135	43.5	50	11.2
150	6"	PN.10-16-ANSI 150	56	206	MDV - 1	160	298	434	135	43.5	50	12.0
200 (*)	8"	PN.10-ANSI 150	60	257	MDV - 1A	200	355	511	152	52.5	57	16.5
200	8"	PN.16	60	257	MDV - 1A	200	355	526	152	52.5	57	20.1
250	10"	PN.10-16-ANSI 150	68	324	MDV - 2	250	442	652	222	61	70	30.0
300	12"	PN.10-16-ANSI 150	78	383	MDV - 2	250	468	708	222	61	70	43.0
350 (*)	14"	PN.10-16	78	437	MDV - 2	250	498	761	222	61	70	59.6
350	14"	ANSI 150	78	437	MDV - 2	250	498	761	222	61	70	59.1
400	16"	PN.10-16-ANSI 150	102	486	MDV - 2A	300	572	880	278	69	72.5	83.6
450	18"	PN.10-16	114	538	MDV - 3	400	630	970	321	96.5	91.5	122.0
450 (*)	18"	ANSI 150	114	538	MDV - 3	400	630	970	321	96.5	91.5	115.3
500	20"	PN.10-16-ANSI 150	127	586	MDV - 3	400	682	1062	321	96.5	91.5	167.0
600	24"	PN.10-16-ANSI 150	154	690	MDV - 4	500	799	1239	408	137.5	140	250.0

Dimensions in mm, weight in kg.

ANSI 150 = PN20

(*) PN10 Standard.



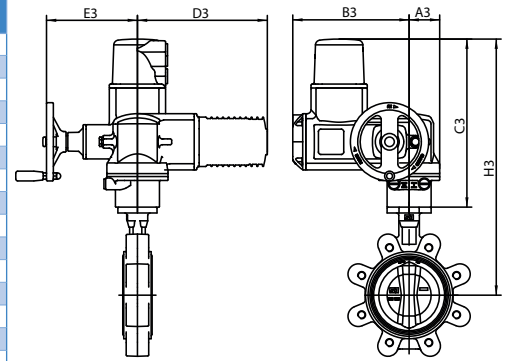
Lug BV dimensions and references

SIZE AUMA ELECTRIC MOTORISED LUG BV PFA10 bar

DN		Gear unit and servomotor mechanism	Dimensions						Weight (kg)
mm	Inches		A3	B3	C3	D3	E3	H3	
40	1 1/2"	SG 03.3	92	210	207	215	119	320	10.3
50	2"	SG 03.3	92	210	207	215	119	327	11.2
65	2 1/2"	SG 03.3	92	210	207	215	119	342	11.6
80	3"	SG 04.3	92	210	207	215	119	348	13.1
100	4"	SG 04.3	92	210	207	215	119	372	14.6
125	5"	SG05.1	63	238	344	265	186	524	27.8
150	6"	SG05.1	63	238	344	265	186	537	28.5
200	8"	SG07.1	63	238	344	265	186	569	31.9
250	10"	SG10.1	80	248	361	265	191	643.5	50.6
300	12"	SG10.1	80	248	361	265	191	669	63.5
350	14"	SG10.1	80	248	361	265	191	699.5	80.0
400	16"	SG12.1	105	248	385	265	191	765	102.6
450	18"	GS100.3/VZ4.3/SA07.2	112.5	255	447	265	216	827.5	170
500	20"	GS100.3/VZ4.3/SA07.2	112.5	255	447	265	216	879.5	216
600	24"	GS100.3/VZ4.3 + SA07.6	547	189	313	164	287	807	291
700	28"	GS125.3/VZ4.3 + SA10.2	554	194	323	158	316	913	376
800	32"	GS125.3/VZ4.3 + SA10.2	554	194	323	158	316	953	491
1000	40"	GS160.3/GZ160.3(8:1) + SA10.2	630	290	323	165	351	1093	798

Dimensions in mm, weight in kg.

DN 750 and 900: contact us.

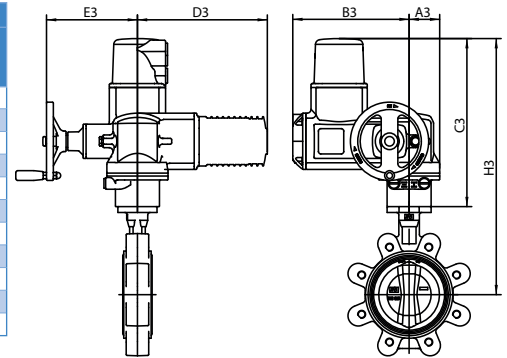


SIZE AUMA ELECTRIC MOTORISED LUG BV PFA16 bar

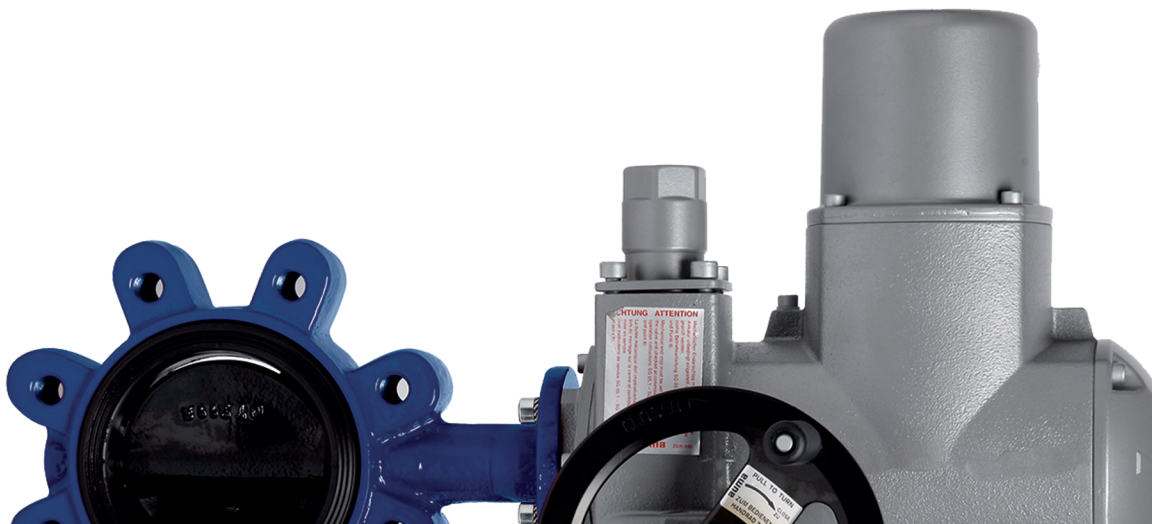
DN		Gear unit and servomotor mechanism	Dimensions						Weight (kg)
mm	Inches		A3	B3	C3	D3	E3	H3	
200	8"	SG07.1	63	238	344	265	186	569	37.0
250	10"	SG10.1	80	248	361	265	191	643.5	54.1
300	12"	SG10.1	80	248	361	265	191	669	66.5
350	14"	SG10.1	105	248	385	265	191	723.5	88.0
400	16"	SG12.1	105	248	385	265	191	765	106
450	18"	GS100.3/VZ4.3/SA07.2	112.5	255	447	265	216	827.5	146
500	20"	GS100.3/VZ4.3/SA07.2	112.5	255	447	265	216	879.5	192
600	24"	GS100.3/VZ4.3 + SA07.6	547	189	313	164	287	807	275
700	28"	GS125.3/VZ4.3 + SA10.2	554	194	323	158	316	913	360
800	32"	GS160.3/GZ160.3(8:1) + SA10.2	630	290	323	165	351	953	521
1000	40"	GS200.3/GZ200.3(8:1) + SA10.2	760	366	338	208	391	1108	869

Dimensions in mm, weight in kg.

DN 750 and 900: contact us.



Contact us for dimensions of Lug BV with Bernard motorisation.



References correspond to the Lug type BV with ductile cast iron body EN GJS-400-15 + RAL 5005 min. 150 microns powder coated epoxy and sleeve/joint in EPDM elastomer with ACS. Contact us for other materials.

For other types of sleeve materials, change the letter in position 10 of the reference: N=Nitrile, W=EPDM DVGW, V=Viton.

REFERENCES LUG BV PFA16 bar BARE SHAFT

DN mm	Weight (kg)		DI butterfly + black epoxy powder 150 µ		CF8M stainless steel disk	
	PN10/16	PN10	PN10	PN16	PN10	PN16
40	2.00		VLA40FACWE		VLA40AACWE	
50	2.90		VLA50FACWE		VLA50AACWE	
65	3.30		VLA65FACWE		VLA65AACWE	
80	4.80		VLA80FACWE		VLA80AACWE	
100	6.30		VLB10FACWE		VLB10AACWE	
125	9.80		VLB12FACWE		VLB12AACWE	
150	10.50		VLB15FACWE		VLB15AACWE	
200	13.90	VLB20FABWE	VLB20FAAWE	VLB20AABWE	VLB20AAAWE	
250	26.60	VLB25FABWE	VLB25FAAWE	VLB25AABWE	VLB25AAAWE	
300	39.50	VLB30FABWE	VLB30FAAWE	VLB30AABWE	VLB30AAAWE	
350	56.00	VLB35FABWE	VLB35FAAWE	VLB35AABWE	VLB35AAAWE	
400	73.60	VLB40FABWE	VLB40FAAWE	VLB40AABWE	VLB40AAAWE	
450	103.00	VLB45FABWE	VLB45FAAWE	VLB45AABWE	VLB45AAAWE	
500	149.00	VLB50FABWE	VLB50FAAWE	VLB50AABWE	VLB50AAAWE	
600	215.00	VLB60FABWE	VLB60FAAWE	VLB60AABWE	VLB60AAAWE	
700	287.00	VLB70FABWE	VLB70FAAWE	VLB70AABWE	VLB70AAAWE	
800	406.00	VLB80FABWE	VLB80FAAWE	VLB80AABWE	VLB80AAAWE	
1000	672.00	VLC10FABWE	VLC10FAAWE	VLC10AABWE	VLC10AAAWE	



Lug BV PFA25 bar DN 40-300 (CF8M stainless steel disk), change position 8 letter with "D".

DN 900: contact us.

REFERENCES LUG BV PFA16 bar MANUAL WITH HANDLEVER

DN mm	Type Lever	Weight (kg)		DI butterfly + black epoxy powder 150 µ		CF8M stainless steel butterfly disk	
		PN10/16	PN10	PN16	PN10	PN16	
40	MN	2.4		VLA40FLCWE		VLA40ALCWE	
50	MN	3.3		VLA50FLCWE		VLA50ALCWE	
65	MN	3.7		VLA65FLCWE		VLA65ALCWE	
80	MN	5.2		VLA80FLCWE		VLA80ALCWE	
100	MN	6.8		VLB10FLCWE		VLB10ALCWE	
125	MN	10.3		VLB12FLCWE		VLB12ALCWE	
150	MN	10.9		VLB15FLCWE		VLB15ALCWE	
200	MR	14.5	VLB20FLBWE	VLB20FLAWE	VLB20ALBWE	VLB20ALAWE	
250	MR	28.2	VLB25FLBWE	VLB25FLAWE	VLB25ALBWE	VLB25ALAWE	
300	MR	41.2	VLB30FLBWE	VLB30FLAWE	VLB30ALBWE	VLB30ALAWE	



Lug BV PFA25 bar DN 40-100 (CF8M stainless steel disk), change position 8 letter with "D".

Contact us for MR lever DN40-150.

REFERENCES LUG BV PFA16 bar MANUAL HANDWELL WITH MDV GEARBOX

DN (mm)	Gear unit		Weight (kg)		DI butterfly + black epoxy powder 150 µ		CF8M stainless steel disk	
	PN10	PN16	PN10/16	PN10	PN16	PN10	PN16	
40	MDV-0		3.2	VLA40FBCWE		VLA40ABCWE		
50	MDV-0		4.1	VLA50FBCWE		VLA50ABCWE		
65	MDV-0		4.5	VLA65FBCWE		VLA65ABCWE		
80	MDV-0		5.9	VLA80FBCWE		VLA80ABCWE		
100	MDV-0		7.6	VLB10FBCWE		VLB10ABCWE		
125	MDV-1		11.2	VLB12FBCWE		VLB12ABCWE		
150	MDV-1		12.0	VLB15FBCWE		VLB15ABCWE		
200	MDV-1A		16.5	VLB20FBBWE	VLB20FBAWE	VLB20ABBWE	VLB20ABAWE	
250	MDV-2		30.0	VLB25FBBWE	VLB25FBAWE	VLB25ABBWE	VLB25ABAWE	
300	MDV-2		43.0	VLB30FBBWE	VLB30FBAWE	VLB30ABBWE	VLB30ABAWE	
350	MDV-2		59.6	VLB35FBBWE	VLB35FBAWE	VLB35ABBWE	VLB35ABAWE	
400	MDV-2A		83.6	VLB40FBBWE	VLB40FBAWE	VLB40ABBWE	VLB40ABAWE	
450	MDV-3		122.0	VLB45FBBWE	VLB45FBAWE	VLB45ABBWE	VLB45ABAWE	
500	MDV-3		167.0	VLB50FBBWE	VLB50FBAWE	VLB50ABBWE	VLB50ABAWE	
600	MDV-4		250.0	VLB60FBBWE	VLB60FBAWE	VLB60ABBWE	VLB60ABAWE	
700	MDV-4	MDV-5	367.0	VLB70FBBWE	VLB70FBAWE	VLB70ABBWE	VLB70ABAWE	
800	MDV-5	MDV-6	482.0	VLB80FBBWE	VLB80FBAWE	VLB80ABBWE	VLB80ABAWE	
1000		MDV-7	744.0	VLC10FBBWE	VLC10FBAWE	VLC10ABBWE	VLC10ABAWE	



Lug BV PFA25 bar DN 40-300 (CF8M stainless steel disk), change position 8 letter with "D".

DN 900: contact us.

Lug BV dimensions and references

REFERENCES AUMA ELECTRIC MOTORISED LUG BV PFA10 bar

DN	PN	Moteur / Gear unit Auma	Auma Single-phase			Auma Three-phase		
			Weight (kg)	DI Disk + epoxy 150 µm	CF8M stainless steel disk	Weight (kg)	DI Disk + epoxy 150 µm	CF8M stain- less steel disk
40	10/16	SG03.3	10.3	VLA40FMCWE	VLA40AMCWE	10.3	VLA40FECWE	VLA40AECWE
50	10/16	SG03.3	11.2	VLA50FMCWE	VLA50AMCWE	11.2	VLA50FECWE	VLA50AECWE
65	10/16	SG03.3	11.6	VLA65FMCWE	VLA65AMCWE	11.6	VLA65FECWE	VLA65AECWE
80	10/16	SG04.3	13.1	VLA80FMCWE	VLA80AMCWE	13.1	VLA80FECWE	VLA80AECWE
100	10/16	SG04.3	14.6	VLB10FMCWE	VLB10AMCWE	14.6	VLB10FECWE	VLB10AECWE
125	10/16	SG05.1	27.8	VLB12FMCWE	VLB12AMCWE	27.8	VLB12FECWE	VLB12AECWE
150	10/16	SG05.1	28.5	VLB15FMCWE	VLB15AMCWE	28.5	VLB15FECWE	VLB15AECWE
200	10	SG07.1	31.9	VLB20FMBWE	VLB20AMBWE	31.9	VLB20FEBWE	VLB20AEBWE
250	10	SG10.1	50.6	VLB25FMBWE	VLB25AMBWE	50.6	VLB25FEBWE	VLB25AEBWE
300	10	SG10.1	63.5	VLB30FMBWE	VLB30AMBWE	63.5	VLB30FEBWE	VLB30AEBWE
350	10	SG10.1	80.0	VLB35FMBWE	VLB35AMBWE	80.0	VLB35FEBWE	VLB35AEBWE
400	10	SG12.1	102.6	VLB40FMBWE	VLB40AMBWE	101.6	VLB40FEBWE	VLB40AEBWE
450	10	GS100.3/NZ4.3/ SA07.2	170.0	VLB45FMBWE	VLB45AMBWE	163.0	VLB45FEBWE	VLB45AEBWE
500	10	GS100.3/NZ4.3/ SA07.2	216.0	VLB50FMBWE	VLB50AMBWE	209.0	VLB50FEBWE	VLB50AEBWE
600	10	GS100.3/NZ4.3/ SA07.6	291.0	VLB60FMBWE	VLB60AMBWE	276.0	VLB60FEBWE	VLB60AEBWE
700	10	GS125.3/NZ4.3/ SA10.2	376.0	VLB70FMBWE	VLB70AMBWE	361.0	VLB70FEBWE	VLB70AEBWE
800	10	GS125.3/NZ4.3/ SA10.2	491.0	VLB80FMBWE	VLB80AMBWE	476.0	VLB80FEBWE	VLB80AEBWE
1000	10	GS160.3/GZ160.3(8:1)/ SA10.2	798.0	VLC10FMBWE	VLC10AMBWE	783.0	VLC10FEBWE	VLC10AEBWE



DN 900: contact us.

REFERENCES AUMA ELECTRIC MOTORISED LUG BV PFA16 bar

DN	PN	Moteur / Gear unit Auma	Auma Single-phase			Auma Three-phase		
			Weight (kg)	DI Disk + epoxy 150 µm	CF8M stainless steel disk	Weight (kg)	DI Disk + epoxy 150 µm	CF8M stain- less steel disk
200	16	SG07.1	32.9	VLB20FMAWE	VLB20AMAWWE	31.9	VLB20FEAWWE	VLB20AEAWWE
250	16	SG10.1	51.6	VLB25FMAWE	VLB25AMAWWE	50.6	VLB25FEAWWE	VLB25AEAWWE
300	16	SG10.1	64.5	VLB30FMAWE	VLB30AMAWWE	63.5	VLB30FEAWWE	VLB30AEAWWE
350	16	SG12.1	85.0	VLB35FMAWE	VLB35AMAWWE	84.0	VLB35FEAWWE	VLB35AEAWWE
400	16	SG12.1	102.6	VLB40FMAWE	VLB40AMAWWE	101.6	VLB40FEAWWE	VLB40AEAWWE
450	16	GS100.3/NZ4.3/ SA07.6	179.0	VLB45FMAWE	VLB45AMAWWE	164.0	VLB45FEAWWE	VLB45AEAWWE
500	16	GS100.3/NZ4.3/ SA07.6	225.0	VLB50FMAWE	VLB50AMAWWE	210.0	VLB50FEAWWE	VLB50AEAWWE
600	16	GS100.3/NZ4.3/ SA07.6	291.0	VLB60FMAWE	VLB60AMAWWE	276.0	VLB60FEAWWE	VLB60AEAWWE
700	16	GS125.3/NZ4.3/ SA10.2	376.0	VLB70FMAWE	VLB70AMAWWE	361.0	VLB70FEAWWE	VLB70AEAWWE
800	16	GS160.3/GZ160.3(8:1)/ SA10.2	536.0	VLB80FMAWE	VLB80AMAWWE	521.0	VLB80FEAWWE	VLB80AEAWWE
1000	16	GS200.3/GZ200.3(8:1)/ SA10.2	877.0	VLC10FMAWE	VLC10AMAWWE	862.0	VLC10FEAWWE	VLC10AEAWWE



Electric motorised Lug BV AUMA PFA25 bar DN 40-300 (CF8M stainless steel disk), change position 8 letter with "D".

DN 900: contact us.



REFERENCES BERNARD ELECTRIC MOTORISED LUG BV PFA10 bar

DN	PN	Moteur / Gear unit Bernard	Bernard Single-phase			Bernard Three-phase		
			Weight (kg)	DI Disk + epoxy 150 µm	CF8M stainless steel disk	Weight (kg)	DI Disk + epoxy 150 µm	CF8M stainless steel disk
40	10/16	OA-6	8.0	VLA40FZCWE	VLA40AZCWE	9.0	VLA40FYCWE	VLA40AYCWE
50	10/16	OA-6	8.9	VLA50FZCWE	VLA50AZCWE	9.9	VLA50FYCWE	VLA50AYCWE
65	10/16	OA-6	9.3	VLA65FZCWE	VLA65AZCWE	10.3	VLA65FYCWE	VLA65AYCWE
80	10/16	OA-6	10.8	VLA80FZCWE	VLA80AZCWE	11.8	VLA80FYCWE	VLA80AYCWE
100	10/16	OA-6	13.3	VLB10FZCWE	VLB10AZCWE	13.3	VLB10FYCWE	VLB10AYCWE
125	10/16	OA-6	16.8	VLB12FZCWE	VLB12AZCWE	16.8	VLB12FYCWE	VLB12AYCWE
150	10/16	OA-6	17.5	VLB15FZCWE	VLB15AZCWE	17.5	VLB15FYCWE	VLB15AYCWE
200	10	OA-8	20.9	VLB20FZBWE	VLB20AZBWE	20.9	VLB20FYBWE	VLB20AYBWE
250	10	OA-15	41.6	VLB25FZBWE	VLB25AZBWE	41.6	VLB25FYBWE	VLB25AYBWE
300	10	OA15	59.5	VLB30FZBWE	VLB30AZBWE	59.5	VLB30FYBWE	VLB30AYBWE
350	10	ASP	77.0	VLB35FZBWE	VLB35AZBWE	77.0	VLB35FYBWE	VLB35AYBWE
400	10	AS-50	120.6	VLB40FZBWE	VLB40AZBWE	120.6	VLB40FYBWE	VLB40AYBWE
450	10	AS-80	167.0	VLB45FZBWE	VLB45AZBWE	167.0	VLB45FYBWE	VLB45AYBWE
500	10	AS-100	213.0	VLB50FZBWE	VLB50AZBWE	213.0	VLB50FYBWE	VLB50AYBWE
600	10	AS-200	282.0	VLB60FZBWE	VLB60AZBWE	282.0	VLB60FYBWE	VLB60AYBWE
700	10	AS-200	379.0	VLB70FZBWE	VLB70AZBWE	371.0	VLB70FYBWE	VLB70AYBWE
800	10	AS-400	NC	VLB80FZBWE	VLB80AZBWE	NC	VLB80FYBWE	VLB80AYBWE
1000	10	AS-600	494.0	VLC10FZBWE	VLC10AZBWE	494.0	VLC10FYBWE	VLC10AYBWE

Electric motorised Lug BV BERNARD PFA25 bar DN 40-300 (CF8M stainless steel disk), change position 8 letter with "D".
DN 750 and DN 900: contact us.



REFERENCES BERNARD ELECTRIC MOTORISED LUG BV PFA16 bar

DN	PN	Moteur / Gear unit Bernard	Bernard Single-phase			Bernard Three-phase		
			Weight (kg)	DI Disk + epoxy 150 µm	CF8M stainless steel disk	Weight (kg)	DI Disk + epoxy 150 µm	CF8M stainless steel disk
200	16	ASP	28.9	VLB20FZAWA	VLB20AZAWA	28.9	VLB20FYAWA	VLB20AYAWA
250	16	AS-50	46.6	VLB25FZAWA	VLB25AZAWA	46.6	VLB25FYAWA	VLB25AYAWA
300	16	AS-80	60.5	VLB30FZAWA	VLB30AZAWA	60.5	VLB30FYAWA	VLB30AYAWA
350	16	AS-100	103.0	VLB35FZAWA	VLB35AZAWA	103.0	VLB35FYAWA	VLB35AYAWA
400	16	AS-100	120.6	VLB40FZAWA	VLB40AZAWA	120.6	VLB40FYAWA	VLB40AYAWA
450	16	AS-200	167.0	VLB45FZAWA	VLB45AZAWA	167.0	VLB45FYAWA	VLB45AYAWA
500	16	AS-200	213.0	VLB50FZAWA	VLB50AZAWA	213.0	VLB50FYAWA	VLB50AYAWA
600	16	AS-400	282.0	VLB60FZAWA	VLB60AZAWA	282.0	VLB60FYAWA	VLB60AYAWA
700	16	AS-600	379.0	VLB70FZAWA	VLB70AZAWA	371.0	VLB70FYAWA	VLB70AYAWA
750	16	AS-1000	NC	VLB75FZAWA	VLB75AZAWA	NC	VLB75FYAWA	VLB75AYAWA
800	16	AS-1000	494.0	VLB80FZAWA	VLB80AZAWA	494.0	VLB80FYAWA	VLB80AYAWA
1000	16	ASM2+SBWG55-1-SDM	NC	VLC10FZAWA	VLC10AZAWA	NC	VLC10FYAWA	VLC10AYAWA

Electric motorised Lug BV BERNARD PFA25 bar DN 40-300 (CF8M stainless steel disk), change position 8 letter with "D".
DN 750 and DN 900: contact us.



REFERENCES PNEUMATIC MOTORISED LUG BV

- Spring return: DN40-150 PFA10/16 bar and DN200-500 PFA10 bar, change position 7 letter with "X"
- Double effect: DN40-150 PFA10/16 bar and DN200-600 PFA10 bar, change position 7 letter with "P"



Manual handlever actuators

APPLICATIONS

- For mounting on the Wafer and Lug concentric BV range, in diameters DN 40 to DN 350mm.



RANGE

"MN" TYPE LEVER DN 40 to DN 200 mm

- "MN-S" single DN 40-150
- "MN-C" with lock DN 40-200
In case of locking of the lever position.

"MR" TYPE LEVER DN 40 to DN 350 mm

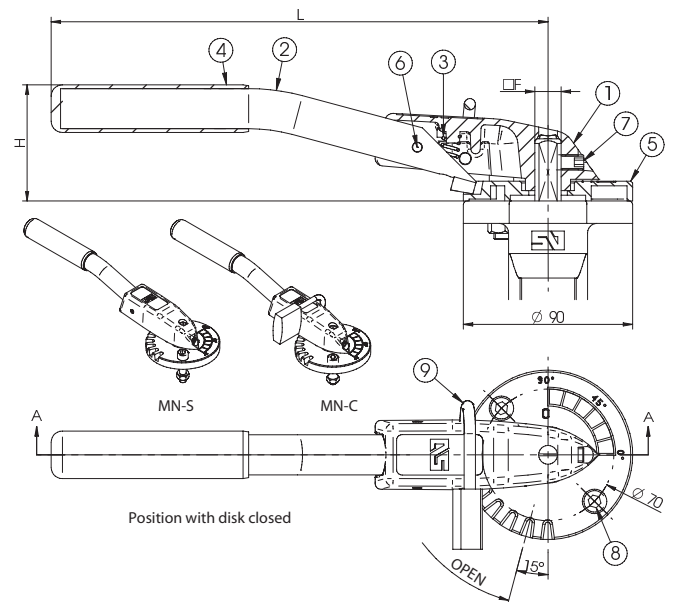
- "MR-1" DN 40-200
- "MR-2" DN 250-350

DN	"MN" Type		"MR" Type	
	MN-S	MN-C	MR-1	MR-2
40-200				
250-350				

"MN" TYPE LEVER FOR DN 40 TO DN 200 MM

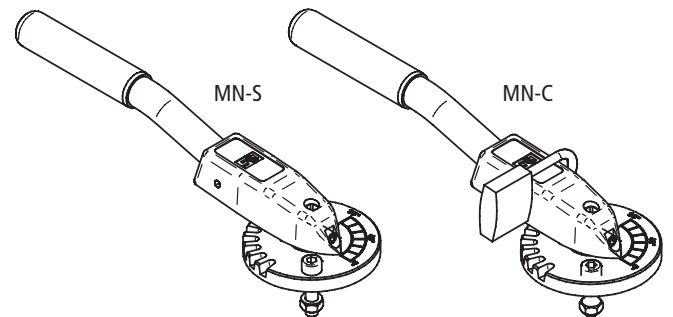
No.	Description	Material	Parts
1	Lever head	Aluminium + epoxy	1
2	Lever arm	Steel pipe + epoxy	1
3	Spring	Stainless steel AISI 302	1
4	Coverage	Vinyl	1
5	Final flange	Reinforced polyamide	1
6	Elastic bar	Carbon steel	1
7	ALLEN tie DIN 916	Galvanised steel	1
8	Screw C/ ALLEN DIN 912 + nut DIN 934	Galvanised steel	1
9 (*)	Padlock	Brass	1

(*) only for model "MN-C".



Dimensions and weights

DN	F (mm)	L (mm)	H (mm)	Weight (kg)	
				MN-S	MN-C
40-65	11	220	49	0,4	0,7
80-100	11	260	60	0,45	0,75
125-150	14	315	75	0,55	0,85
200	17	315	75	0,55	0,85



It is recommended to use the manual gearbox from DN 200 mm onwards.

- The range of levers is made of "MN" and "MR" types:
 - The "MN" type is with 90° square recess as per DIN 3337. Notching every 15° with seven position.
 - The "MR" type is 90° square as per DIN 3337. Lever adjustable from all positions.

"MR" TYPE LEVER FOR DN 40 TO DN 350MM

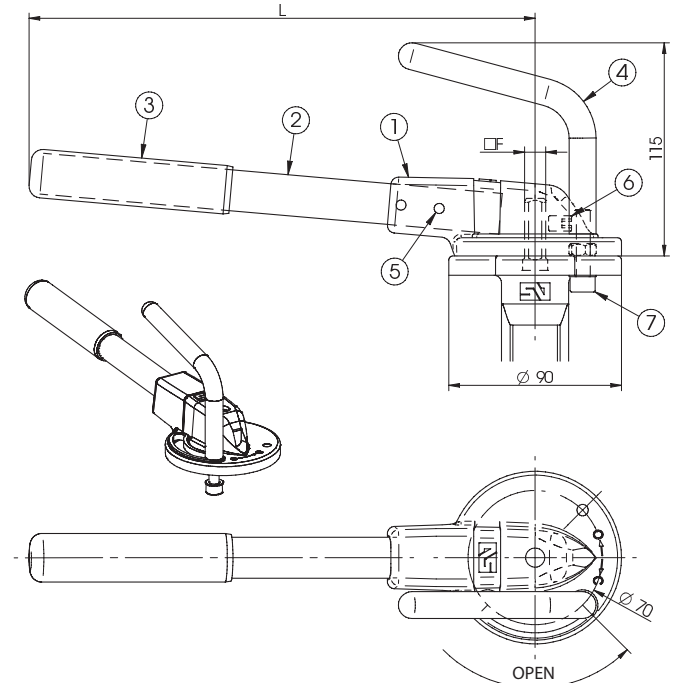
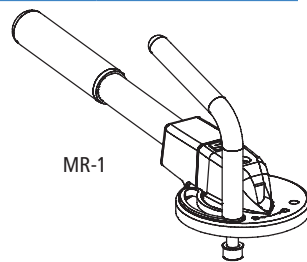
"MR-1" TYPE LEVER: DN 40 TO DN 200MM

Material

No.	Description	Material	Parts
1	Lever head	Aluminium + epoxy	1
2	Lever arm	Tube en Steel + epoxy	1
3	Coverage	Vinyl	1
4	Blocking lever	Stainless steel AISI 420	1
5	Elastic bar	Carbon steel	1
6	ALLEN tie DIN 916	Galvanised steel	1
7	Screw C/ ALLEN DIN 912 + nut DIN 934	Galvanised steel	1

Dimensions and Weights

DN	F	L	Weight (kg)
	(mm)	(mm)	
40-100	11	260	0,6
125-150	14	310	0,7
200	17	310	0,7

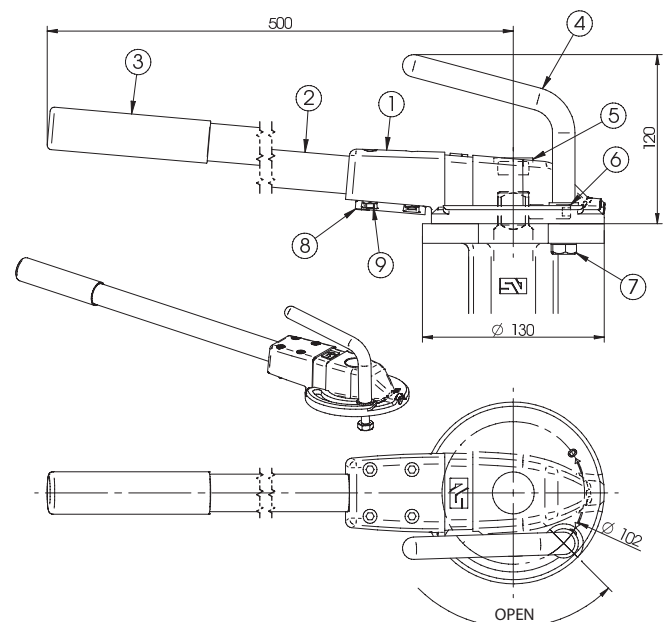
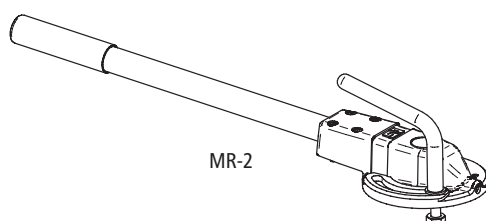


"MR-2" TYPE HANDLEVER: DN 250 TO DN 350 MM

Material

No.	Description	Material	Parts
1	Lever head	Aluminium + epoxy	1
2	Lever arm	Steel pipe + epoxy	1
3	Coverage	Vinyl	1
4	Blocking lever	Stainless steel AISI 420	1
5	Cap	Polyethylene	1
6	ALLEN tie DIN 916	Galvanised steel	1
7	ALLEN tie DIN 931 + nut DIN 934	Galvanised steel	1
8	Flange	Aluminium + epoxy	1
9	Screw C/ ALLEN DIN 912 + nut DIN 934	Galvanised steel	4

Weight of the lever MR-2 = 1.7 kg / part.



Manual gearbox with handwheel actuators

APPLICATIONS

- The range of quarter turn gearbox for the BV (DN 40 to DN 1200) is made of two series X and Q.
The name MDV of the gear units groups the set of the two series.
- The X serie gearbox for diameters DN 40 to DN 350.
Light to handle with an aluminium housing coated with powder epoxy
Standard IP67 protection and IP68 possible on request.
Operating torques up to 600 Nm.

- The Q series gearbox for diameters DN 400 to DN 1200.
Housing in ductile iron coated powder epoxy and final coat in polyurethane.
IP68 protection. Operating torques up to 7000 Nm
- The quarter turn travel starts from 0° at 90° adjustable with range of ± 5°.
Operating temperature -25°C and +110°C (-13°F to 230°F)



RANGE AND SELECTION

Selection of gear unit based on diameter of the concentric BV and the PFA

Type Gear unit	DN	Model for PFA10 bar	Model for PFA16 bar	Shaft connection valve	Handwheel Ø and H
X	40-100	MDV-0 / Type X-21		□ 11	Ø 125 and 42
	125-150	MDV-1 / Type X-21		□ 14	Ø 160 and 48
	200	MDV-1A / Type X-41		□ 17	Ø 200 and 53
	250-350	MDV-2 / Type X-61		□ 22	Ø 250 and 66
Q	400	MDV-2A / Type Q-800		□ 27	Ø 300 and 86
	450-500	MDV-3 / Type Q-2000		□ 36	Ø 400 and 122
	600	MDV-4 / Type Q-4000		Ø 60	Ø 500 and 141
	700	MDV-4 / Type Q-4000	MDV-5 / Type Q-6500	Ø 65	Ø 600 and 157
	750	MDV-6 / Type Q-12000		Ø 80	Ø 600 and 157
	800	MDV-5 / Type Q-6500		Ø 80	Ø 600 and 157
			MDV-6 / Type Q-12000	Ø 80	Ø 700 and 180
	900	MDV-6 / Type Q-12000		Ø 80	Ø 700 and 180
	1000	MDV-7 / Type Q-16000		Ø 80	Ø 700 and 180
	1100	MDV-7 / Type Q-16000	MDV-8 / Type Q-24000	Ø 80	Ø 700 and 180
	1200	MDV-8 / Type Q-24000		Ø 100	Ø 700 and 180

Dimensions in mm, weight in kg.



Technical characteristics

Type Gear unit	Reduction gear	Max. output torque (Nm)	Max. input torque (Nm)	Ratio	Number of closing turns	Weight (kg)	Mechanical advantage (%)
X	MDV-0	200	16.8	40:1	10	1.2	11.9
	MDV-1	200	16.8	40:1	10	1.4	11.9
	MDV-1A	400	31.2	44:1	11	2.6	12.8
	MDV-2	600	46.5	34:1	8.5	3.5	12.9
Q	MDV-2A	800	60	40:1	10	8.9	13.3
	MDV-3	2000	131	48:1	12	18.4	15.3
	MDV-4	4000	185	72:1	18	34.2	21.6
	MDV-5	6500	95	267:1	67	41.0	68.4
	MDV-6	12000	168.5	267:1	67	60.6	71.0
	MDV-7	16000	120	648:1	162	66.4	133.3
	MDV-8	24000	140	720:1	180	196.0	171.5

Dimensions in mm, weight in kg.



IP PROTECTION

- DN 40-350: Aluminium frame with IP67
- DN 400-1200: Cast iron frame with IP68 protection

Contact us for other materials or protections.



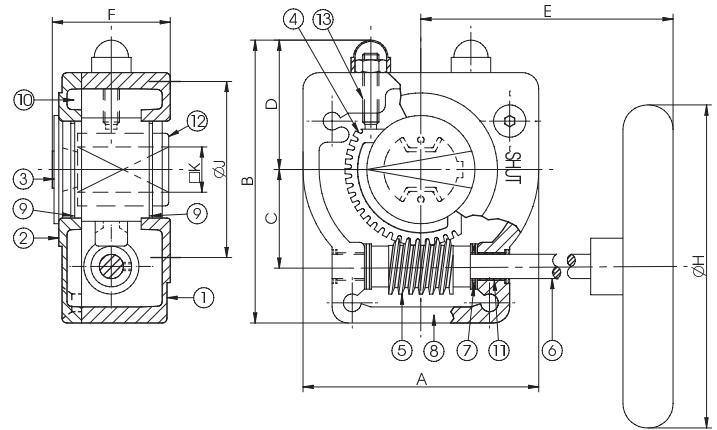
MDV-0 TO MDV-2 TYPE GEARBOX (SERIES X) FOR BV DN 40 TO DN 200

Dimensions (mm)

Ref.	A	B	C	D	E	F	H	J	K
MDV-0	84	118	43.5	50.5	128	51.2	125	F-07	11
MDV-1	84	118	43.5	50.5	135	51.2	160	F-07	14
MDV-1A	112	138.5	52.5	57.0	152	63.5	200	F-07/F-10	17
MDV-2	120	170.5	61.2	70.5	222	77.0	250	F-10/F-12	22

Material

Item	Description	Material	Parts
1	Body	Aluminium	1
2	Lid	Aluminium	1
3	Position indicator	Polyethylene	1
4	Quarter of toothed disk	Cast Iron GGG-40 – ASTM A356	1
5	Worm	Carbon steel C45/AISI 1045	1
6	Axle	Stainless steel AISI 303	1
7	Axial needle bearing	AXK-AS	2
8	Sealing joint	Nitrile/Silicon	1
9	Joint	Nitrile	2
10	Lubricant	Lithium/Calcium	1
11	Bearing	Permaglide P-10	2
12	Inserts	Steel	1
13	Screw	Steel 45H : DIN 915	2



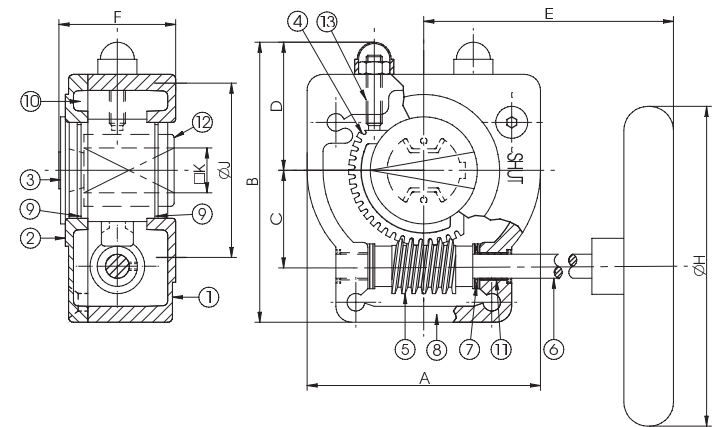
MDV-2A TO MDV-4 TYPE GEARBOX (SERIES X) FOR BV DN 250 TO DN 350

Dimensions (mm)

Ref.	A	B	C	D	E	F	H	J
MDV-2A	135	187	69	72.5	278	90.5	300	F-10/F-14
MDV-3	180	235	96.5	91.5	321	100	400	F-12/F-16
MDV-4	282	326	137.5	140	408	128	500	F-16/F-25
MDV-2	120	170.5	61.2	70.5	222	77.0	250	F-10/F-12

Material

Item	Description	Material	Parts
1	Body	Cast iron GG-25 – ASTM A48	1
2	Lid	Cast iron GG-25 – ASTM A48	1
3	Position indicator	Cast iron GG-25 – ASTM A48	1
4	Quarter of toothed disk	Cast Iron GGG-40 – ASTM A356	1
5	Worm	Carbon steel C45/AISI 1045	1
6	Axle	Stainless steel AISI 303	1
7	Axial needle bearing	AXK-AS	2
8	Sealing joint	Nitrile/Silicon	1
9	Joint	Nitrile	2
10	Lubricant	Lithium/Calcium	1
11	Bearing	Steel	2
12	Screw	Steel 45H : DIN 915	2



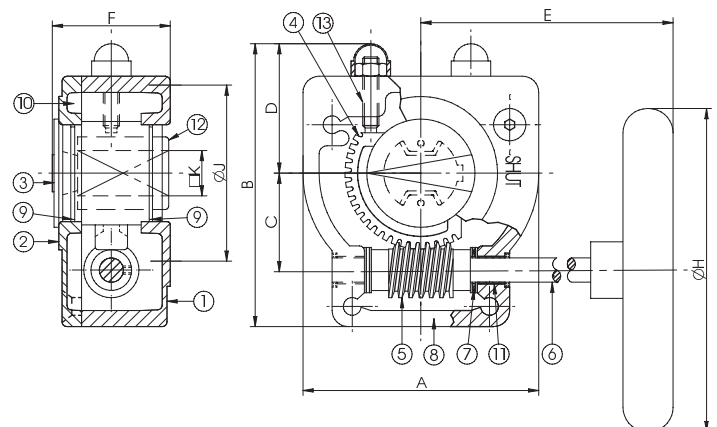
MDV-5 TO MDV-9 TYPE GEARBOX (SERIE Q) FOR RAP DN 400 TO DN 1200

Dimensions (mm)

Ref.	A	B	C	D	E	F	H	J
MDV-5	282	326	137.5	140	456	128	600	F-16/F-25
MDV-6	376	396	180.0	156	510	135	700	F-25/F-30
MDV-7	376	396	180.0	156	579	135	700	F-25/F-30
MDV-8	510	536	252.5	201	593	189	700	F-25/F-40

Material

Item	Description	Material	Parts
1	Body	Cast iron GG-25 – ASTM A48	1
2	Lid	Cast iron GG-25 – ASTM A48	1
3	Position indicator	Cast iron GG-25 – ASTM A48	1
4	Quarter of toothed disk	Cast iron GG-25 – ASTM A48	1
5	Worm	Carbon steel C45/AISI 1045	1
6	Axle	Stainless steel AISI 303	1
7	Axial needle bearing	AXK-AS	2
8	Sealing joint	Nitrile/Silicon	1
9	Joint	Nitrile	2
10	Lubricant	Lithium/Calcium	1
11	Bearing	Steel	2



Electric motorised actuators

APPLICATIONS

- The standard range of PAM electric servomotors for the Wafer and Lug BV is Auma. Actuators produced by Bernard are used in special cases where this type of electric motorisation is recommended. For other manufacturers, please contact us.
- Small diameters with quarter turn type servomotors without gear unit. Large diameters with multi-turn + gear unit and gear reducer.

RANGE AND SELECTION

The servomotor is selected based on the DN and the PFA of the BV. It is not dependent on the type of BV.

Auma

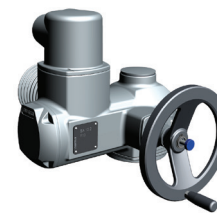
DN 40 – 400 mm with SG AUMA NORM quarter turn servomotor without servomotor control.

DN 450 – 1200 mm with SA multi-turn servomotor + GS type gearbox and VZ/GZ primary reduction gearing.

DN		Auma servomotor/gearbox		
		PFA10 bar	PFA16 bar	PFA25 bar
40	1 1/2"		SG03.3	SG04.3
50	2"		SG03.3	SG04.3
60/65	2 1/2"		SG03.3	SG04.3
80	3"		SG04.3	SG05.1
100	4"		SG04.3	SG05.1
125	5"		SG05.1	SG07.1
150	6"		SG05.1	SG07.1
200	8"	SG07.1	SG07.1	SG10.1
250	10"	SG10.1	SG10.1	SG12.1
300	12"	SG10.1	SG10.1	SG12.1
350	14"	SG10.1	SG12.1	
400	16"	SG12.1	SG12.1	
450	18"	GS100.3/VZ4.3/SA07.2	GS100.3/VZ4.3/SA07.6	
500	20"	GS100.3/VZ4.3/SA07.2	GS100.3/VZ4.3/SA07.6	
600	24"	GS100.3/VZ4.3/SA07.6	GS100.3/VZ4.3/SA07.6	
700	28"	GS125.3/VZ4.3/SA10.2	GS125.3/VZ4.3/SA10.2	
750	30"	GS125.3/VZ4.3/SA10.2	GS125.3/VZ4.3/SA10.2	
800	32"	GS125.3/VZ4.3/SA10.2	GS160.3/GZ160.3(8:1)/SA10.2	
900	36"	GS160.3/GZ160.3(8:1)/SA07.6	GS160.3/GZ160.3(8:1)/SA10.2	
1000	40"	GS160.3/GZ160.3(8:1)/SA10.2	GS200.3/GZ200.3(8:1)/SA10.2	
1100	44"	GS160.3/GZ160.3(8:1)/SA10.2	GS200.3/GZ200.3(16:1)/SA10.2	
1200	48"	GS200.3/GZ200.3(8:1)/SA10.2	GS200.3/GZ200.3(16:1)/SA10.2	



AUMA NORM SG type quarter turn servomotor



AUMA NORM SA type multi-turn servomotor



AUMA GS type gearbox



AUMA GS type primary reduction gearing

Bernard

OA type small diameters, ASP/AS type medium diameters all quarter turn.

From DN 900 (PFA16 bar) and DN 1000 (PFA10 bar) onwards: ASM / ST multi-turn servomotors with SBW primary reduction gearing.

DN		Bernard servomotor/gearbox		
		PFA10 bar	PFA 16 bar	PFA25 bar
40	1 1/2"		OA-6	OA-6
50	2"		OA-6	OA-6
60/65	2 1/2"		OA-6	OA-6
80	3"		OA-6	OA-8
100	4"		OA-6	OA-8
125	5"		OA-8	OA-15
150	6"		OA-15	ASP
200	8"	OA15	ASP	AS-50
250	10"	ASP	AS-50	AS-80
300	12"	AS-50	AS-80	AS-100
350	14"	AS-80	AS-100	
400	16"	AS-100	AS-100	
450	18"	AS-200	AS-200	
500	20"	AS-200	AS-200	
600	24"	AS-400	AS-400	
700	28"	AS-600	AS-600	
750	30"	AS-1000	AS-1000	
800	32"	AS-1000	AS-1000	
900	36"	AS-1000	ASM1+SBWG05-1-SDM	
1000	40"	ASM1+SBWG05-1-SDM	ASM2+SBWG55-1-SDM	
1100	44"	ASM2+SBWG55-1-SDM	ASM2+SBWG55-1-SDM	
1200	48"	ASM2+SBWG55-1-SDM	ST70+SBWG55-1-SM	



"OA" type handlever turn servomotor



"ASP" type multi-turn servomotor

- Electric power supply can be given through **three-phase** or **single-phase** assembly.
- These applications include **energy** (hydro-electric plants), **chemical industry** and in the **water treatment plants** among others, etc.

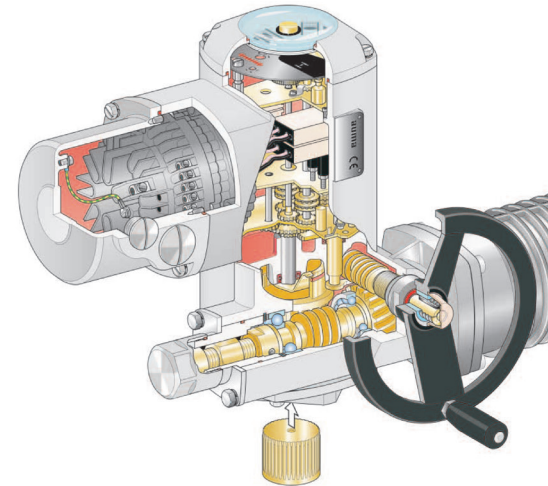
TECHNICAL CHARACTERISTICS

AUMA MOTORISATION FOR PFA 10 bar

DN	Gear unit			Auma Norm quarter turn servomotor		
	Type	No. of turns	Max. torque (Nm)	Type	Max. torque (Nm)	Time (s)
40	11/2"			SG03.3	32	22
50	2"			SG03.3	32	22
60	21/2"			SG03.3	32	22
65	21/2"			SG03.3	32	22
80	3"			SG04.3	63	22
100	4"			SG04.3	63	22
125	5"			SG05.1	150	22
150	6"			SG05.1	150	22
200	8"			SG07.1	300	22
250	10"			SG10.1	600	32
300	12"			SG10.1	600	32
350	14"			SG10.1	600	32
400	16"			SG12.1	1200	32
450	18"	GS100.3/VZ4.3	52	4000	SA07.2	30
500	20"	GS100.3/VZ4.3	52	4000	SA07.2	30
600	24"	GS100.3/VZ4.3	52	4000	SA07.6	60
700	28"	GS125.3/VZ4.3	52	8000	SA10.2	120
750	30"	GS125.3/VZ4.3	52	8000	SA10.2	120
800	32"	GS125.3/VZ4.3	52	8000	SA10.2	120
900	36"	GS160.3/GZ160.3(8:1)	110,5	14000	SA07.6	60
1000	40"	GS160.3/GZ160.3(8:1)	110,5	14000	SA10.2	120
1100	44"	GS160.3/GZ160.3(8:1)	110,5	14000	SA10.2	120
1200	48"	GS200.3/GZ200.3(8:1)	108,5	28000	SA10.2	120

To be defined with your technician (*)

(*) The servomotors have a wide range of speeds and open-close times. They can be adjusted to the customer requirements.



AUMA MOTORISATION FOR PFA 16 bar

DN	Gear unit			Auma Norm quarter turn servomotor		
	Type	No. of turns	Max. torque (Nm)	Type	Max. torque (Nm)	Time (s)
200	8"			SG07.1	300	22
250	10"			SG10.1	600	32
300	12"			SG10.1	600	32
350	14"			SG12.1	1200	32
400	16"			SG12.1	1200	32
450	18"	GS100.3/VZ4.3	52	4000	SA07.6	60
500	20"	GS100.3/VZ4.3	52	4000	SA07.6	60
600	24"	GS100.3/VZ4.3	52	4000	SA07.6	60
700	28"	GS125.3/VZ4.3	52	8000	SA10.2	120
750	30"	GS125.3/VZ4.3	52	8000	SA10.2	120
800	32"	GS160.3/GZ160.3(8:1)	110,5	14000	SA10.2	120
900	36"	GS160.3/GZ160.3(8:1)	110,5	14000	SA10.2	120
1000	40"	GS200.3/GZ200.3(8:1)	108,5	28000	SA10.2	120
1100	44"	GS200.3/GZ200.3(16:1)	216	28000	SA10.2	120
1200	48"	GS200.3/GZ200.3(16:1)	216	28000	SA10.2	120

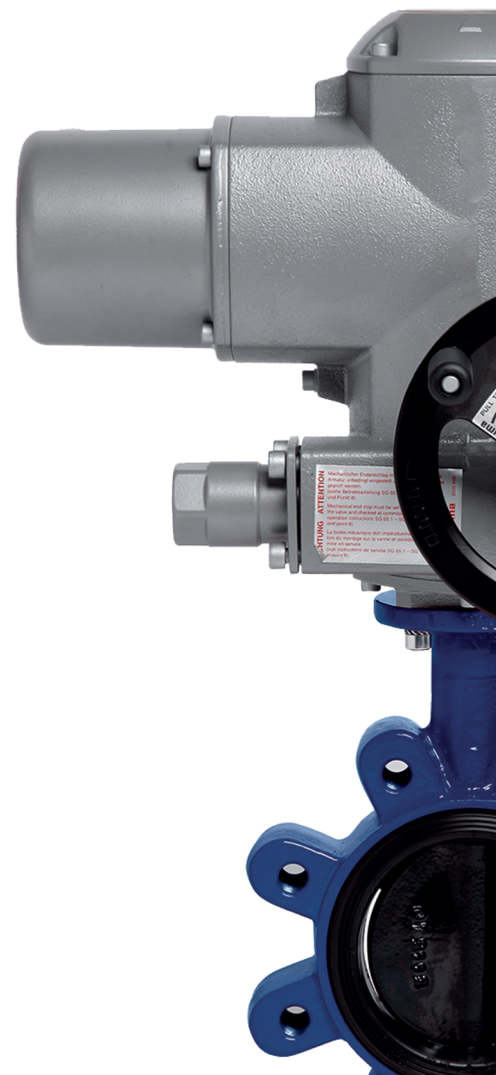
To be defined with your technician (*)

(*) The servomotors have a wide range of speeds and open-close times. They can be adjusted to the customer requirements.

AUMA MOTORISATION FOR PFA 25 bar

DN	Auma Norm quarter turn servomotor			
	Type	Max. torque (Nm)	Time (s)	
40	11/2"	SG04.3	63	22
50	2"	SG04.3	63	22
60	21/2"	SG04.3	63	22
65	21/2"	SG04.3	63	22
80	3"	SG05.1	150	22
100	4"	SG05.1	150	22
125	5"	SG07.1	300	22
150	6"	SG07.1	300	22
200	8"	SG10.1	600	32
250	10"	SG12.1	1200	32
300	12"	SG12.1	1200	32

The max. torque of the gearbox is the maximum resistance capacity, independent of the BV's torque.



Pneumatic motorised actuators

APPLICATIONS

- The fluid used for the pneumatic actuators is generally compressed air at a network pressure of 6 bar (max. 8 bar) and a temperature between -32°C and +90°C.
- There are two models: the "PA" type and the "P" type.
- The "PA" type operating mechanism is made of 2 to 6 pre-compressed springs with a unitary safety system per spring.
Easy to mount and change.
- The "P" type operating mechanism is made of 2 concentric springs on each side without initial pre-compression.
The safety system is optional.

RANGE AND SELECTION

Selection of the "PA" or "P" type mechanism is done based on the DN of the BV, the network pressure and the type of actuator.

The difference between these two mechanisms is in the type of springs used:

- "PA" type: from 2 to 6 pre-compressed springs with expansion limiter (new version)
- "P" type: 1 or 2 concentric springs (old version)

DN	Double effect			Spring return		
	PFA6 bar	PFA10 bar	PFA16 bar	PFA6 bar	PFA10 bar	PFA16 bar
40	PA00	PA00	PA00	PA00S		PA05S
50		PA05	PA05	PA05	PA05S	PA10S
65	PA10S				PA15S	
80	PA10	PA15	PA20	PA25S	P30S	P40S
100						
125	PA20	PA25	P30	P40S	P50S (*)	PA60S (*)
150	PA25	P40				
200	PA25	P50	PA60 (*)	PA70 (*)		
250	P30	P40				
300	P40	P50				
350	P50	(DN500*)	(DN400*)			
400	(DN600*)	PA60 (*)	PA70 (*)			
450	PA60 (*)	PA70 (*)				
500	PA70 (*)					
600						
700						
800						

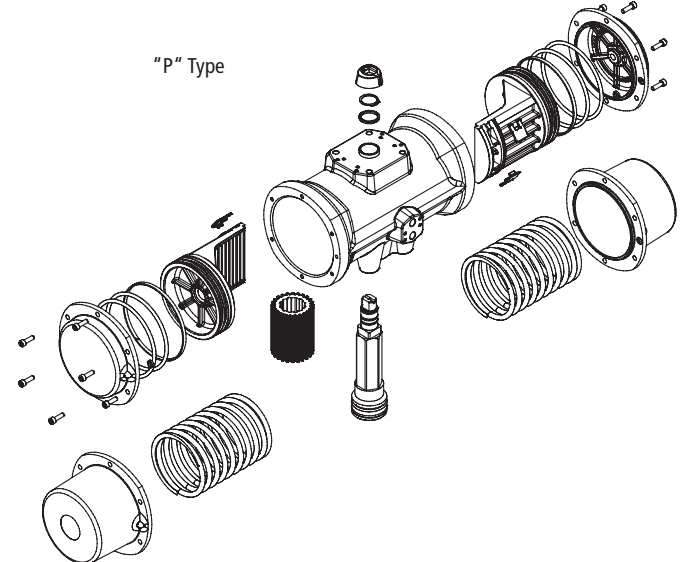
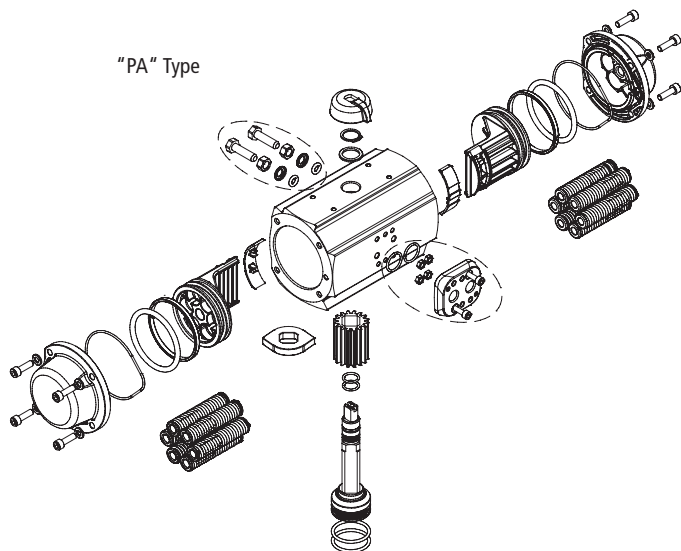
(*) Special mounting, please contact us.



"PA" type pneumatic servomotor



"P" type pneumatic servomotor



- Two operating options: **spring return** and **double effect** with operating torques from 15 Nm to 5000 Nm.
- Spring return is made of a **single chamber with piston plus a mechanical spring**.
In case of absence of air, the spring returns the piston to its initial position.
- The double effect is made of **two chambers**. In case of absence of air, the piston remains in its final position.

TECHNICAL CHARACTERISTICS

HANDLING TORQUES

DE - Double effect		SE - Spring return					
Type	Air 6 bar (Nm)	Type	No. of springs	Springs (Nm)		Air 6 bar (Nm)	
				Initial	Final	Initial	Final
PA00	25	PA00S	6	16.5	11.1	13.9	8.5
PA05	49.7	PA05S	6	31.4	20.9	28.8	18.3
PA10	71	PA10S	6	45.6	30.8	40.2	25.4
PA15	116.5	PA15S	6	71.5	49	67.5	45
PA20	165.5	PA20S	6	104.7	65.8	99.7	60.8
PA25	290	PA25S	6	181.8	119.4	170.6	108.2
P30	469.2	P30S	4	273.7	179.9	289.3	195.5
P40	1180	P40S	4	766.9	491.6	688.3	413
P50	2067	P50S	4	1206	723.6	1344	861.4
PA60	3458	PA60S	6	2075	1383	2075	1383
PA70	5043	PA70S	6	3539	1769	3273	1504

HANDLING TIME

Handling time in seconds					
Weight in kg				Double effect	
DE	SE	DE	SE	Open	Close
PA00	PA00S	1.40	1.62	0.15	0.15
PA05	PA05S	2.57	2.94	0.2	0.2
PA10	PA10S	3.08	3.48	0.25	0.25
PA15	PA15S	4.20	5.04	0.3	0.3
PA20	PA20S	5.61	6.63	0.4	0.4
PA25	PA25S	9.30	11.3	0.5	0.5
P30	P30S	9.10	15.9	0.6	0.6
P40	P40S	17.6	36.4	1.2	1.2
P50	P50S	30.7	58.4	2	2
PA60	PA60S	48.3	83.2	3	3
PA70	PA70S	77.9	118.2	4	4

Handling time in seconds					
Weight in kg				Spring return	
DE	SE	DE	SE	Open	Close
PA00	PA00S	1.40	1.62	0.2	0.2
PA05	PA05S	2.57	2.94	0.25	0.25
PA10	PA10S	3.08	3.48	0.3	0.3
PA15	PA15S	4.20	5.04	0.4	0.4
PA20	PA20S	5.61	6.63	0.5	0.5
PA25	PA25S	9.30	11.3	0.8	0.8
P30	P30S	9.10	15.9	1.2	1.2
P40	P40S	17.6	36.4	2	2
P50	P50S	30.7	58.4	6	6
PA60	PA60S	48.3	83.2	6	5
PA70	PA70S	77.9	118.2	8	6

REQUIREMENT OF VOLUME OF LITRES AT ATMOSPHERIC PRESSURE

SE - Spring return	
Type	Open
PA00S	0.15
PA05S	0.28
PA10S	0.35
PA15S	0.65
PA20S	0.8
PA25S	1.5
P30S	2.05
P40S	5.3
P50S	10.5
PA60S	19.5
PA70S	31

DE - Double effect		
Type	Open	Close
PA00	0.15	0.18
PA05	0.28	0.37
PA10	0.35	0.45
PA15	0.65	0.82
PA20	0.8	1.15
PA25	1.5	2.02
P30	2.05	1.9
P40	5.3	5.3
P50	10.5	7
PA60	19.5	20.7
PA70	31	30



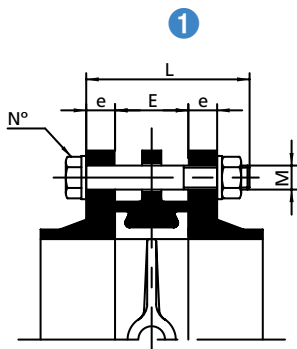
Fastenings and associated products

- The short gap concentric Butterfly Valves are ready to be installed between two flat flanges. Sealing between the BV and the network is done with the BV sleeve. **The flat sealing joints must not under any circumstances be used between the flanges of the network and the sleeve of the BV.**

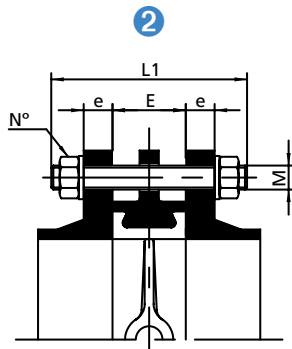
WAFER BV

Connection to the network can be made with:

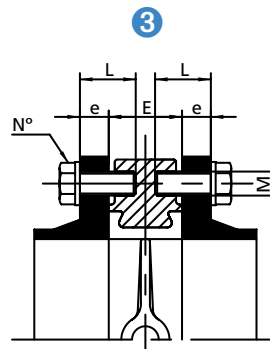
- 1 Screw + nut + two washers
- 2 Tie + two nuts + two washers
- 3 For the DN 450 (PN10 and 16) and DN 700 up to 1200 (PN10, 16 and 20), there are 8 screws with washers to tighten on both sides.



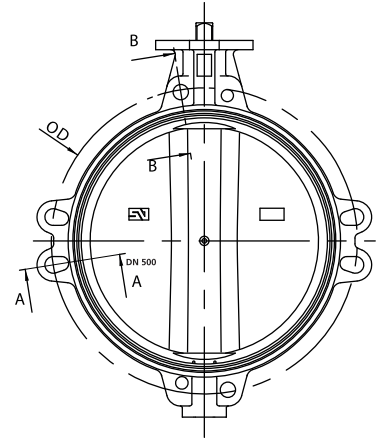
Screw + nut
Section A-A



Tie + nuts
Section A-A



Section B-B
For DN 450 and DN 700 up to 1200



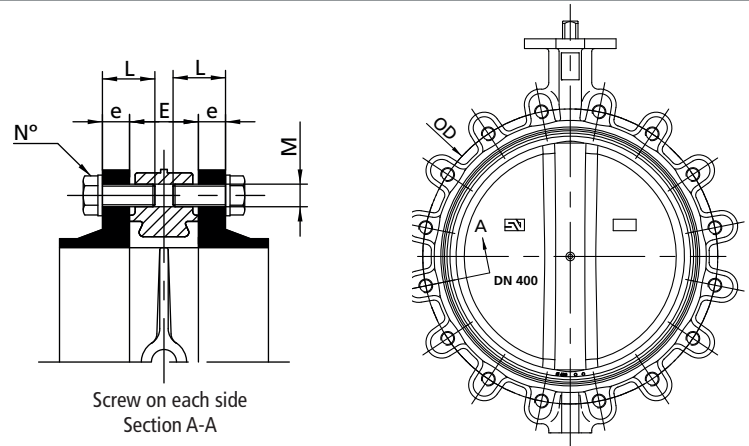
DN	E	PN10						PN16bar						PN25					
		D	e	M	L	L1	N°	D	e	M	L	L1	N°	D	e	M	L	L1	N°
40	33	110	16	M16	90	110	4	110	16	M16	90	110	4	110	18	M16	90	110	4
50	43	125	18	M16	100	120	4	125	18	M16	100	120	4	125	20	M16	105	125	4
65	46	145	18	M16	100	120	4	145	18	M16	100	120	4	145	22	M16	110	130	8
80	46	160	20	M16	110	130	8	160	20	M16	110	130	8	160	24	M16	115	135	8
100	52	180	20	M16	110	130	8	180	20	M16	110	130	8	190	24	M20	125	150	8
125	56	210	22	M16	120	140	8	210	22	M16	120	140	8	220	26	M24	137	166	8
150	56	240	22	M20	130	150	8	240	22	M20	130	150	8	250	28	M24	142	172	8
200	60	295	24	M20	130	160	8	295	24	M20	130	160	12	310	30	M24	150	180	12
250	68	350	26	M20	150	170	12	355	26	M24	150	170	12	370	32	M27	165	197	12
300	78	400	26	M20	160	180	12	410	28	M24	160	180	12	430	34	M27	178	210	16
350	78	460	26	M20	170	180	16	470	30	M24	170	190	16						
400	102	515	26	M24	180	210	16	525	32	M27	200	220	16						
450	114	565	26	M24	190	220	16	585	32	M27	210	240	16						
500	127	620	28	M24	210	230	20	650	34	M30	230	260	20						
600	154	725	28	M27	240	270	20	770	36	M33	260	290	20						
700	165	840	30	M27	260	280	20	840	36	M33	270	300	20						
750	190	900	32	M30	290	320	20			M33	300	340	20						
800	190	950	32	M30	290	320	20	900	38	M33	300	340	20						
900	203	1050	34	M30	310	350	24			M36	310	345	20						
1000	216	1160	34	M33	325	360	24	1050	40	M36	330	375	24						
1100	216	1270	38	M33	330	370	28			M39	345	390	24						
1200	254	1380	38	M36	375	420	28	1170	42	M39	360	400	28						
				M36	110		8	1270	48	M39	110		8						
								1390	48	M45	395	445	28						
										M45	115		8						

Dimensions in mm and units.

- Calculation of the length of fastenings will depend on several factors: diameter and type of the BV,
- PFA/PN pressure and material of the network (ductile iron, steel, plastic, etc.), type of flat flanges (fixed, movable, etc.), type of fastenings (ties, bolts, etc.), use of structural elements (support plates, etc.).
- Specific calculations of the length of fastening is recommended.

LUG BV

Connection to the network can be made only with screw + washer on each side.



Screw on each side
Section A-A

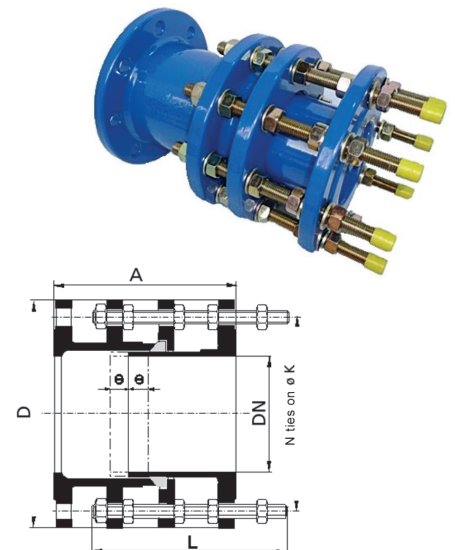
DN	E	PFA10 bar					PFA16 bar					PFA25 bar				
		D	e	M	L	No.	D	e	M	L	No.	D	e	M	L	N°
40	33	110	16	M16	30	8	110	16	M16	30	8	110	18	M16	30	8
50	43	125	18	M16	35	8	125	18	M16	35	8	125	20	M16	40	8
65	46	145	18	M16	40	8	145	18	M16	40	8	145	22	M16	45	16
80	46	160	20	M16	40	16	160	20	M16	40	16	160	24	M16	45	16
100	52	180	20	M16	45	16	180	20	M16	45	16	190	24	M20	50	16
125	56	210	22	M16	50	16	210	22	M16	50	16	220	26	M24	50	16
150	56	240	22	M20	50	16	240	22	M20	50	16	250	28	M24	55	16
200	60	295	24	M20	50	16	295	24	M20	50	24	310	30	M24	60	24
250	68	350	26	M20	60	24	355	26	M24	60	24	370	32	M27	65	24
300	78	400	26	M20	65	24	410	28	M24	65	24	430	34	M27	70	32
350	78	460	26	M20	65	32	470	30	M24	65	32					
400	102	515	26	M24	75	32	525	32	M27	80	32					
450	114	565	26	M24	75	32	585	32	M27	80	32					
				M24	60	8			M27	60	8					
500	127	620	28	M24	90	40	650	34	M30	95	40					
600	154	725	28	M27	100	40	770	36	M33	110	40					
700	165	840	30	M27	110	40	840	36	M33	120	40					
				M27	80	8			M33	85	8					
750	190	900	32	M30	130	40	900	38	M33	130	40					
				M30	95	8			M33	100	8					
800	190	950	32	M30	130	40	950	38	M36	130	40					
				M30	110	8			M36	80	8					
900	203	1050	34	M30	130	48	1050	40	M36	140	48					
				M30	100	8			M36	100	8					
1000	216	1160	34	M33	140	48	1170	42	M39	150	48					
				M33	95	8			M39	100	8					

Dimensions in mm and units.

"PF" TYPE DISMANTLING JOINT

DN	Reference	PFA10 bar				Weight (kg)	Reference	PFA16 bar				Weight (kg)
		N	M	L	TIES			N	M	L	TIES	
50	160943	4	M16	250	10	160943	4	M16	250	10	16	
65	163543	4	M16	250	16	163543	4	M16	250	16	21	
80	160947	8	M16	250	21	160947	8	M16	250	20	34	
100	163559	8	M16	250	20	163559	8	M16	250	34	34	
125	166645	8	M16	250	34	166645	8	M16	250	290	64	
150	163605	8	M20	290	34	163605	8	M20	290	74	102	
200	163634	8	M20	290	48	160966	12	M20	290	100	116	
250	163658	12	M20	290	74	163359	12	M24	320	124	162	
300	173460	12	M20	290	100	160969	12	M24	320	160	204	
350	166654	16	M20	290	124	173472	16	M24	350	176	232	
400	163707	16	M24	320	160	171567	16	M27	350	202	312	
450	-	20	M24	320	176	-	20	M27	350	268	416	
500	160970	20	M24	340	202	163731	20	M30	380	330	444	
600	160971	20	M27	340	268	163742	20	M33	400	454	610	
700	163750	24	M27	340	330	173475	24	M33	400	522	692	
800	163762	24	M30	380	454	160942	24	M36	450	632	890	
900	163770	28	M30	380	522	173476	28	M36	450	1200	1392	
1000	160950	28	M33	420	632	160951	28	M39	450			
1200	163586	32	M36	450	1200	173477	32	M45	525			

Dimensions in mm and units.



Assembly and maintenance instructions

The PAM butterfly valves have been designed in accordance with the following specifications:

- Mounting between flat or welding neck flanges to DIN or ANSI standards.
- Flange gasket are not required. When fitted between the counter flanges the lips on the elastomer liner ensure watertight shut-off between the valve body and flanges.
- **No support required.** When clamped between flanges and corresponding piping no further support is necessary, neither for the valve, not for its controls.

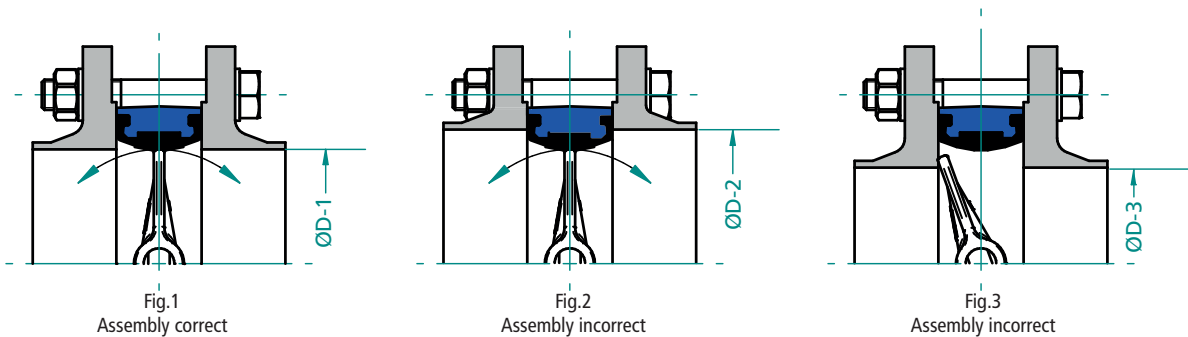
DIMENSIONS OF FLANGES AND ADAPTERS

Flanges and adapters must ensure proper mechanical joint with the valve thereby allowing:

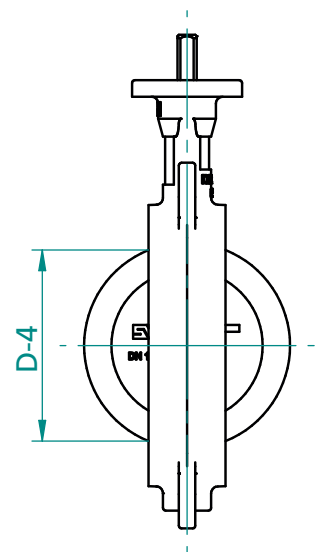
- Perfect water tightness,
- Normal operation of the valve and especially free movement of the disk,
- That the internal diameter of the flanges are suitable for the proper operation of the valve.

In the case of a too small diameter of the flanges (see Fig. 3), it may become impossible to operate the disk and it may get damaged.

A too large diameter of the flanges (see Fig. 2) can cause a lack of seal in the sealing area.

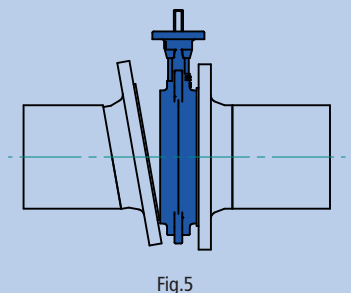
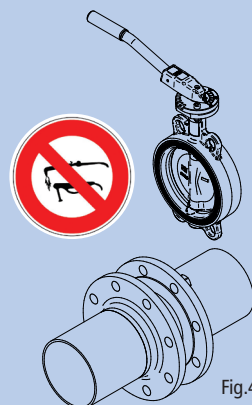


DN	Inches	øD-1 Optimal (mm)	øD-2 Max. (mm)	øD-3 Min. (mm)	øD-4 Max. (mm)
40	1 ½"	40	50	30	26
50	2"	50	61	40	30
65	1 ½"	65	75	55	47
80	3"	80	90	70	66
100	4"	105	115	95	90
125	5"	125	140	120	113
150	6"	150	170	145	139
200	8"	200	220	200	193
250	10"	250	270	245	241
300	12"	300	325	295	290
350	14"	350	370	345	338
400	16"	400	420	395	387
450	18"	450	475	442	437
500	20"	500	525	490	478
600	24"	600	624	587	578
700	28"	700	715	693	678
800	32"	800	818	795	767
900	36"	900	922	880	867
1000	40"	1000	1023	980	964
1100	44"	1100	1123	1086	1054
1200	48"	1200	1225	1190	1158



RECOMMENDATIONS

- Weld the pipe and the flanges far from the BV to avoid damaging the coating and the elastomer sleeve with the heat (fig. 4).
- Not welding residue should appear on the flat faces of the flanges in contact with the valve.
- The flanges should be flat, so check that the welding has not deformed them.
- Avoid sharp edges that may damage the elastomer sleeve during assembly, by getting perfect parallelism and alignment of the flanges.
- A parallelism error may result in loss of sealing of the BV, since the sleeve will not be compressed in the correct manner along its perimeter. (Fig. 5).



ASSEMBLY INSTRUCTIONS BETWEEN FLANGES

1. **Move the two flanges with enough distance from the network** so that the valve slides smoothly without damaging the lips of the elastic ring.

The butterfly will be in half-open position with no projection outside the valve width. (see fig. 1).

2. **Centre the valve** with the four screws/ties (two upper and two lower) without tightening them.

Test the opening and closing of the butterfly to ensure its operation. Place the butterfly in perfectly centred position and open taking care not to damage its periphery (see fig. 2).

Tighten the screws/ties to fix the position of the BV.

3. **Tighten the nuts** until there is metal-metal contact between the body of the BV and the flanges of the network.

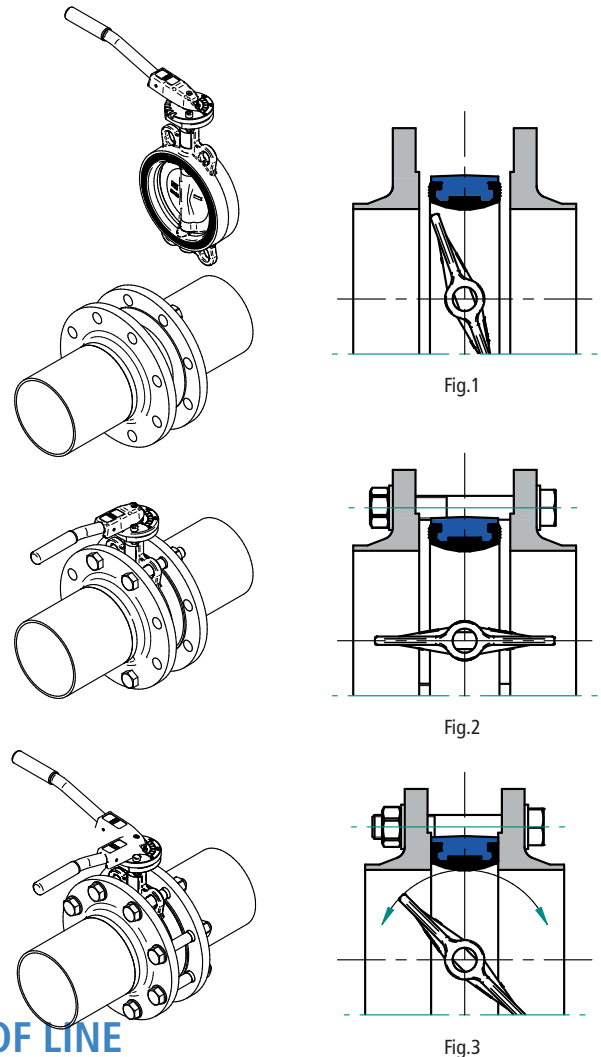
Tighten the screws/ties "diagonally" and progressively.

The tightening torque must be adequate to make metal-metal contact and less than the resistance capacity of the screw/tie (see fig. 3).

Tightening torque for screws/ties:

. M16: 90 Nm

. M20: 180 Nm



LUG TYPE ASSEMBLY INSTRUCTIONS AT END OF LINE

This type of BV is most suited for dismantling the pipe at the end of line. Water piping in the downstream can be dismantled by maintaining pressure in the remaining upstream network.

For dismantling the downstream circuit of the BV, it is important to note the following instructions:

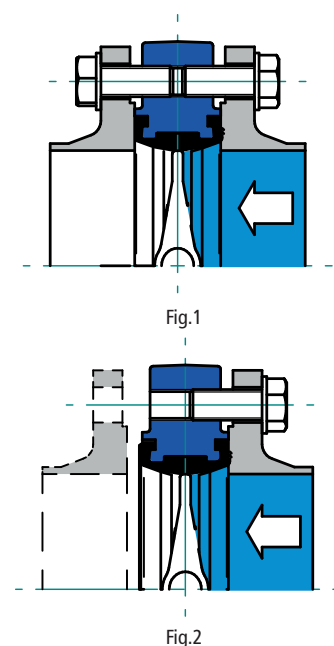
- 1) **Close the valve** to avoid over-pressure or a water hammer. In addition to closing the valve, need to isolate the circuit, stop the pumps and clean the pipes of fluid.

- 2) **Ensure that the network pressure (upstream) does not exceed the limits indicated below:**

. For DN 40-150 mm (PN 16 x 0.4)= 6.4 bar

. For DN 200-1200 mm (PN 10 x 0.4)= 4.0 bar

The diagram alongside shows the steps to be followed during INITIAL ASSEMBLY (see fig. 1), the next phase requires loosening all the nuts of the "DOWNSTREAM WATER" and dismantling the flange (see fig. 2).



HOW TO CONTACT PAM

AUSTRIA

Saint-Gobain Rigips AUSTRIA GesmbH
Vertriebsbüro PAM
Archenweg 52
6020 Innsbruck
Tel: + 43 512 34 17 17 -0

BELGIUM

Saint-Gobain PAM BELGIUM
Raatshovenstraat, n°2
3400 – LANDEN
Tel: + 32 11 88 01 00

FINLAND

Saint-Gobain PAM FINLAND
Strömberginkuja 2
00380 HELSINKI
Tel: +358 207 424 600

GREECE

Saint-Gobain HELLAS
5 KLEISOURAS STR,
14452 METAMORGOSI ,ATHENS GREECE
Tel: +30 210 2831804

NORWAY

Saint-Gobain BYGGEVARER
Nils Hansens vei 13,
0667 OSLO
Tel: + 47 23 17 58 60

THE NETHERLANDS

Saint-Gobain PAM Netherlands
Markerkant 10-17
1316 AB ALMERE
Tel: + 31 36 53 333 44

POLAND

Saint-Gobain Construction Products POLSKA SP Z O.O.
Ul. Cybernetyki 9
PL - 02-677 WARSZAWA
Tel: + 48 22 751 41 72

PORTUGAL

Saint-Gobain PAM PORTUGAL, S.A.
Rua das Marinhas do Tejo , n° 15
2690-361 SANTA IRIA DE AZÓIA
Tel: + 351 218 925 000

CZECH REPUBLIC

Saint-Gobain PAM CZ
Budova DOCK II,
Smrčková ulice,
Praha 8 – Libeň
Tel: + 420 311 712 611

ROMANIA

Saint-Gobain Construction Products Romania S.r.l.
SGCPRo SRL
Soseaua Pipera nr.43, Cladirea Floreasca Park,
corpul A, etajul 3, birourile 25-41, cod 014254,
sector 2, Bucuresti, Romania
Tel: + 40 21 207 57 29

SLOVAKIA

Saint-Gobain Construction Products, s.r.o.
Dlha 1780/6
90031 Stupava
Tel: +421 (0) 2 654 569 61

Enquiries from other EU and overseas countries:
please consult Saint-Gobain PAM Canalisation



**Saint-Gobain PAM Canalisation •
Head office**

21, avenue Camille Cavallier
54705 Pont-à-Mousson Cedex • FRANCE
Phone : +33 (0) 383 807 350
www.pamline.com