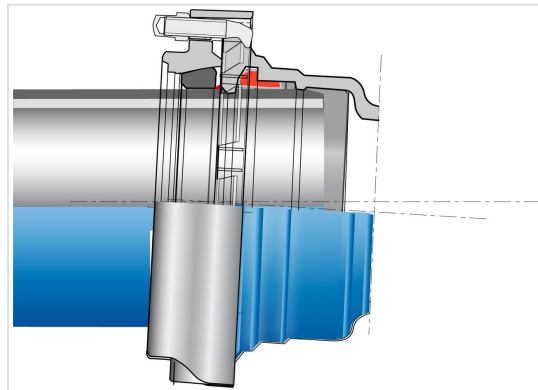


Kit Formstücke Standard PECB + Dichtung Standard Ve



Doppelmuffenbogen Standard

Winkel	DN	Gesamtgewicht	Artikel-Nr.
90°	350	159.73 kg	SSB35CA00TT2-E02
22°30	350	128.23 kg	SSB35CD00TT2-E02
11°15	350	125.08 kg	SSB35CE00TT2-E02
90°	400	199.07 kg	SSB40CA00TT2-E02
45°	400	174.36 kg	SSB40CB00TT2-E02
22°30	400	160.36 kg	SSB40CD00TT2-E02
11°15	400	153.06 kg	SSB40CE00TT2-E02
45°	450	211.85 kg	SSB45CB00TT2-E02
22°30	450	192.95 kg	SSB45CD00TT2-E02
90°	500	322.14 kg	SSB50CA00TT2-E02
45°	500	291.8 kg	SSB50CB00TT2-E02
22°30	500	263.03 kg	SSB50CD00TT2-E02
11°15	500	241.5 kg	SSB50CE00TT2-E02
45°	600	367.13 kg	SSB60CB00TT2-E02
22°30	600	320.62 kg	SSB60CD00TT2-E02
11°15	600	288.49 kg	SSB60CE00TT2-E02
90°	700	884.94 kg	SSB70CA00TT-E02
45°	700	611.44 kg	SSB70CB00TT-E02
22°30	700	531.54 kg	SSB70CD00TT-E02
11°15	700	497.94 kg	SSB70CE00TT-E02
90°	800	1074.14 kg	SSB80CA00TT-E02

Winkel	DN	Gesamtgewicht	Artikel-Nr.
45°	800	792.24 kg	SSB80CB00TT-E02
22°30	800	681.14 kg	SSB80CD00TT-E02
11°15	800	631.54 kg	SSB80CE00TT-E02
90°	900	1277.22 kg	SSB90CA00TT-E02
45°	900	1022.32 kg	SSB90CB00TT-E02
22°30	900	882.82 kg	SSB90CD00TT-E02
11°15	900	802.82 kg	SSB90CE00TT-E02
90°	1000	1961.98 kg	SSC10CA00TT-E02
45°	1000	1234.28 kg	SSC10CB00TT-E02
22°30	1000	1037.98 kg	SSC10CD00TT-E02
11°15	1000	948.98 kg	SSC10CE00TT-E02

Doppelmuffen Übergangsstück Standard

DN	Ø dn	Gesamtgewicht	Artikel-Nr.
600	400	297.24 kg	SSB60VE0NTT-E02
700	500	431.05 kg	SSB70VE0QTT-E02
700	600	417.53 kg	SSB70VE0RTT-E02
800	600	535.13 kg	SSB80VE0RTT-E02
800	700	582.54 kg	SSB80VE0STT-E02
900	700	727.08 kg	SSB90VE0STT-E02
900	800	734.68 kg	SSB90VE0TTT-E02
1000	800	871.56 kg	SSC10VE0TTT-E02
1000	900	882.1 kg	SSC10VE0UTT-E02

Doppelmuffe mit Flanschstützen tangential Standard

DN	Ø dn	PN	Gesamtgewicht	Artikel-Nr.
700	200	10	606.84 kg	SSB70UT1KTT-E02
700	200	16	607.04 kg	SSB70UT2KTT-E02
800	200	10	804.14 kg	SSB80UT1KTT-E02
800	200	16	804.14 kg	SSB80UT2KTT-E02
900	200	10	1019.22 kg	SSB90UT1KTT-E02
900	200	16	1019.22 kg	SSB90UT2KTT-E02
1000	200	10	1050.98 kg	SSC10UT1KTT-E02
1000	200	16	1050.98 kg	SSC10UT2KTT-E02

Doppelmuffe mit Flanschstutzen Standard

DN	Ø dn	PN	Gesamtgewicht	Artikel-Nr.
350	60	10 16	132.05 kg	SSB35UD1CTT2-E02
350	60	25 40	132.05 kg	SSB35UD3CTT2-E02
350	80	10 16 25 40	133.73 kg	SSB35UD1ETT2-E02
350	150	10 16	143.49 kg	SSB35UD1JTT2-E02
350	150	25 40	145.59 kg	SSB35UD3JTT2-E02
350	250	10	162.14 kg	SSB35UD1LTT2-E02
350	250	16	162.14 kg	SSB35UD2LTT2-E02
350	300	10	168.44 kg	SSB35UD1MTT2-E02
350	300	16	167.94 kg	SSB35UD2MTT2-E02
400	80	10 16 25 40	235.16 kg	SSB40UD1ETT2-E02
400	100	10 16	168.35 kg	SSB40UV1FTT2-E02
400	150	10 16	169.82 kg	SSB40UD1JTT2-E02
400	200	10	178.75 kg	SSB40UD1KTT2-E02
400	200	16	178.96 kg	SSB40UD2KTT2-E02
400	250	10	192.08 kg	SSB40UD1LTT2-E02
400	250	16	192.08 kg	SSB40UD2LTT2-E02
400	250	25	194.81 kg	SSB40UD3LTT2-E02
400	300	10	198.91 kg	SSB40UD1MTT2-E02
400	300	16	198.38 kg	SSB40UD2MTT2-E02
400	400	10	222.95 kg	SSB40UD1NTT2-E02
400	400	16	227.68 kg	SSB40UD2NTT2-E02
400	400	25	237.13 kg	SSB40UD3NTT2-E02
450	100	10 16	198.27 kg	SSB45UV1FTT2-E02
450	100	25 40	199.64 kg	SSB45UV3FTT2-E02
450	150	10 16	206.99 kg	SSB45UD1JTT2-E02
450	150	25 40	209.09 kg	SSB45UD3JTT2-E02
500	100	10 16	252.29 kg	SSB50UV1FTT2-E02
500	100	25 40	253.65 kg	SSB50UV3FTT2-E02
500	500	10	419.87 kg	SSB50UD1QTT2-E02
500	500	16	433.52 kg	SSB50UD2QTT2-E02
600	100	10 16	302.62 kg	SSB60UV1FTT2-E02
600	200	10	342.66 kg	SSB60UV1KTT2-E02
700	150	10 16	563.14 kg	SSB70UD1JTT-E02

DN	Ø dn	PN	Gesamtgewicht	Artikel-Nr.
700	150	25 40	563.94 kg	SSB70UD3JTT-E02
700	200	10	565.94 kg	SSB70UD1KTT-E02
700	200	16	565.94 kg	SSB70UD2KTT-E02
700	400	10	647.94 kg	SSB70UD1NTT-E02
700	400	16	651.94 kg	SSB70UD2NTT-E02
700	600	10	774.94 kg	SSB70UD1RTT-E02
700	600	16	799.94 kg	SSB70UD2RTT-E02
700	600	25	802.94 kg	SSB70UD3RTT-E02
800	150	10 16	710.14 kg	SSB80UD1JTT-E02
800	150	25 40	711.14 kg	SSB80UD3JTT-E02
800	200	10	713.14 kg	SSB80UD1KTT-E02
800	200	16	714.14 kg	SSB80UD2KTT-E02
800	250	10	728.14 kg	SSB80UV1LTT-E02
800	400	10	808.14 kg	SSB80UD1NTT-E02
800	400	16	813.14 kg	SSB80UD2NTT-E02
800	600	10	995.14 kg	SSB80UD1RTT-E02
800	600	16	1020.14 kg	SSB80UD2RTT-E02
900	200	10	897.22 kg	SSB90UD1KTT-E02
900	200	16	896.22 kg	SSB90UD2KTT-E02
900	400	10	1009.22 kg	SSB90UD1NTT-E02
900	400	16	1013.22 kg	SSB90UD2NTT-E02
900	600	10	1275.22 kg	SSB90UD1RTT-E02
900	600	16	1300.22 kg	SSB90UD2RTT-E02
1000	150	10 16	977.98 kg	SSC10UD1JTT-E02
1000	200	10	1040.98 kg	SSC10UD1KTT-E02
1000	200	16	1040.98 kg	SSC10UD2KTT-E02
1000	250	10	1050.98 kg	SSC10UV1LTT-E02
1000	250	16	1049.98 kg	SSC10UV2LTT-E02
1000	400	10	1169.98 kg	SSC10UD1NTT-E02
1000	400	16	1174.98 kg	SSC10UD2NTT-E02
1000	600	10	1537.98 kg	SSC10UD1RTT-E02
1000	600	16	1562.98 kg	SSC10UD2RTT-E02

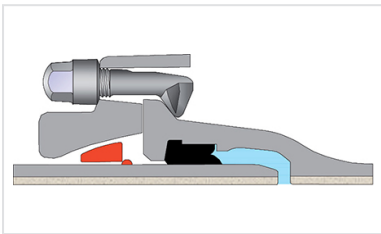
Flanschmuffenstück Standard

DN	PN	Gesamtgewicht	Artikel-Nr.
350	10	91.89 kg	SSB35BE10TT2-E02
350	16	93.04 kg	SSB35BE20TT2-E02
350	25	98.92 kg	SSB35BE30TT2-E02
400	10	111.24 kg	SSB40BE10TT2-E02
400	16	176.03 kg	SSB40BE20TT2-E02
400	25	125.42 kg	SSB40BE30TT2-E02
450	10	131.76 kg	SSB45BE10TT2-E02
450	16	136.8 kg	SSB45BE20TT2-E02
450	25	146.98 kg	SSB45BE30TT2-E02
500	10	172.25 kg	SSB50BE10TT2-E02
500	16	185.9 kg	SSB50BE20TT2-E02
500	25	192.2 kg	SSB50BE30TT2-E02
600	10	213.7 kg	SSB60BE10TT2-E02
600	16	239.95 kg	SSB60BE20TT2-E02
600	25	243.1 kg	SSB60BE30TT2-E02
700	10	311.47 kg	SSB70BE10TT-E02
700	16	316.47 kg	SSB70BE20TT-E02
700	25	346.62 kg	SSB70BE30TT-E02
800	10	400.07 kg	SSB80BE10TT-E02
800	16	409.07 kg	SSB80BE20TT-E02
900	10	496.61 kg	SSB90BE10TT-E02
900	16	506.61 kg	SSB90BE20TT-E02
1000	10	607.49 kg	SSC10BE10TT-E02
1000	16	624.49 kg	SSC10BE20TT-E02

DN mm	Klasse	PFA bar
350	C30	27
400	C30	25
450	C30	23
500	C30	22
600	C30	20
700	C25	20

DN mm	Klasse	PFA bar
800	C25	16
900	C25	16
1000	C25	16
1100	C25	16
1200	C25	16

Produkte



Verbindung Standard Ve
für Formstücke Standard