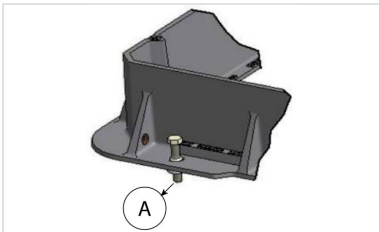


Install Plus - Frame Levelling System before bedding

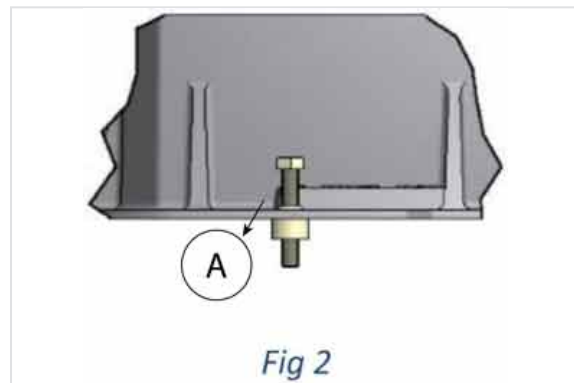


Install Plus Frame leveling inserts before sealing



Preparation:

- 1- Excavate 200mm around the frame to remove all failed reinstatement material.
- 2- All existing bedding material must be removed. Make repairs to the chamber structure as required ensuring a stable supporting surface.



Frame installation:

- 1- It is essential that the top surface of the frame and cover are installed flush and level with the surrounding surface. Locate the frame squarely over the chamber opening ensuring that the vertical wall of the frame is aligned with the chamber opening.
- 2- Located in the frame flange are 4 nylon inserts (Fig 1) which are pre-set to allow for a minimum depth of bedding mortar of 15mm.
- 3- If required, further adjustment can be made by rotating the 4 nylon bolts (supplied loose) clockwise to allow for gradient, camber in the road or to raise the frame to the required finished level (Fig 2). The bolts have a range of adjustment of 15mm to 50mm.
- 4- Make sure, prior to pouring the flowable mortar, that all gaps between frame and top of the chamber are filled, avoiding undesired penetration of flowable mortar into the chamber. This can be done:
 - Either for square / rectangular frames, by using paste mortar, Envirobred HA 104 (picture left) is recommended; or similar, see point 6
 - Either for circular covers, by using, as an example, inflated tyre tube
- 5- Mixing & pouring flowable mortar (see point 6)
 - Mechanically mix Envirobred HA104 (or similar) Flowable in accordance with the manufacturer's instructions and use within 4 minutes after mixing (picture right).
 - Pour from one side of frame at a time, then work your way around the rest of the frame until it flows over the frame, enveloping it to depth of 20mm. It will completely fill all voids.
- 6- Recommended bedding mortar(s).

Experience gained by PAM UK pushes to recommend Envirobred HA 104, or more generally the use of any flowable mortar, featuring similar characteristics:

Other possible bedding materials

http://www.mapei.com/public/GB/linedocument/water_retaining_structures_repairs_gb.pdf

http://www.pagel.com/all/pdf/gb/vt_gb.pdf

<https://www.arconsupplies.co.uk/uploads/pdfs/fast-fluid.pdf>

The information on this sketch is, to the best of our knowledge correct at the time of printing. However Saint-Gobain are constantly looking at ways of improving their products and services therefore reserve the right to change without prior notice, any of the data shown. Any orders placed will be subject to our Standard Conditions of Sale, available on request.

COPYRIGHT AND DESIGN RIGHT : This drawing is the exclusive property of Saint-Gobain PAM UK and is confidential and must not be reproduced or disclosed for any third party without written consent. It must be used only for the purpose for which it has been issued and is returnable on request