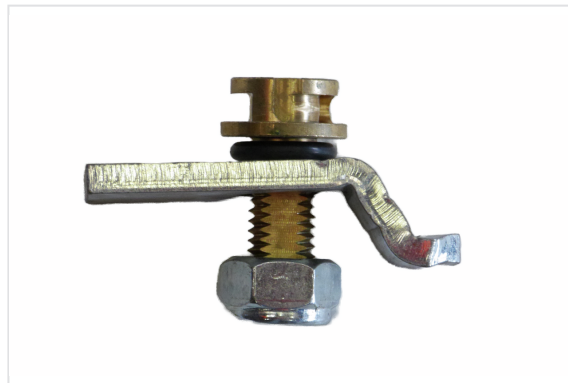


## Locking kits PARXESS



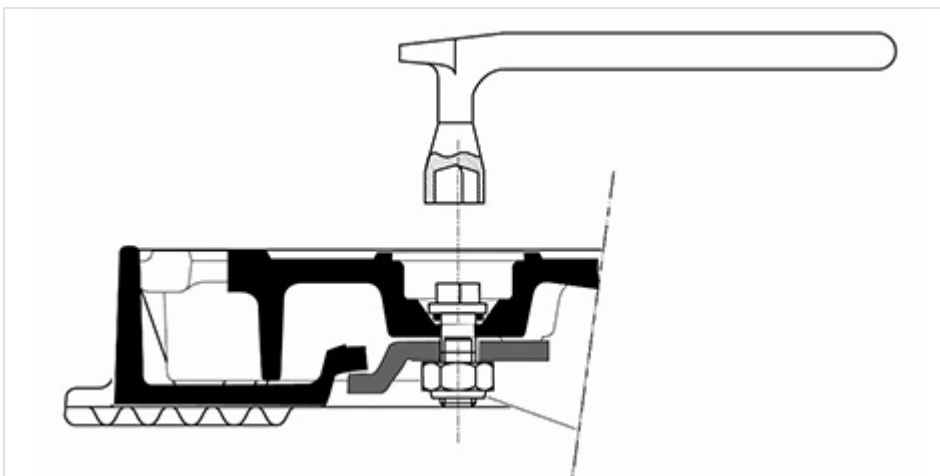
The PARXESS hydraulic range can be equipped with a locking system of the cover.

This system is of the same principle than those proposed for the PAMREX, REXEL manhole covers (1/4 turn lock) and is presented in the form of kits to install on site.

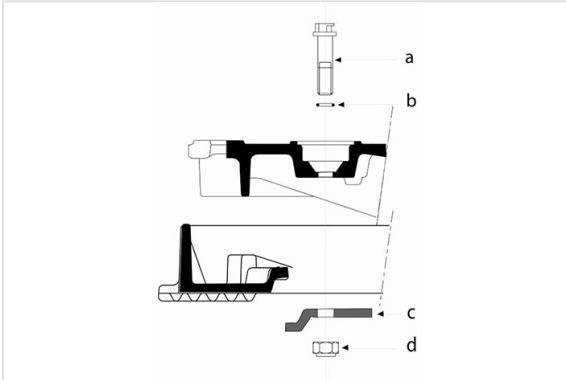
**Note:** The operating keys are to be ordered separately.

Version	Packaging	References
Locking kit PENTA without operating key		C41
Locking kit SCS without operating key		C80

Note: The operating keys are to be ordered separately.



## Materials and coating



Item	Designation	Material
A	Screw	Brass
B	Ring	NBR
C	Bar	Stainless steel
D	Nylstop screw nut	Cadmium plated-steel

## Mean features

- ¼ turn lock.
- Bar taking seating under the frame.
- Two types of heads of screw available: PENTA, SCS

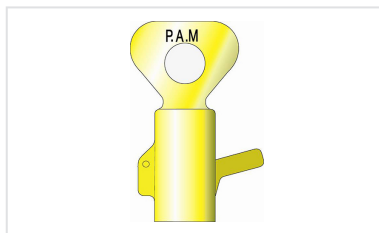
Notice accompanying the PENTA locking system for PARXESS manhole cover : [C41](#)

Notice accompanying the SCS locking system for PARXESS manhole cover : [C80](#)

## Linked products



Handling key PENTA



Handling key SCS

*The information on this sketch is, to the best of our knowledge correct at the time of printing. However Saint-Gobain are constantly looking at ways of improving their products and services therefore reserve the right to change without prior notice, any of the data shown. Any orders placed will be subject to our Standard Conditions of Sale, available on request.*

*COPYRIGHT AND DESIGN RIGHT : This drawing is the exclusive property of Saint-Gobain PAM UK and is confidential and must not be reproduced or disclosed for any third party without written consent. It must be used only for the purpose for which it has been issued and is returnable on request*