

## Grating AQUA-MAX Square frame D400 class



Recommended for Use In:

Carriageways carrying continuous heavy traffic in areas requiring improved removal of surface water.

AquaMax includes several features that enhance durability, security, ease of use and water clearing efficiency resulting in a solution that offers long term performance focusing on the reduction of whole life costs.

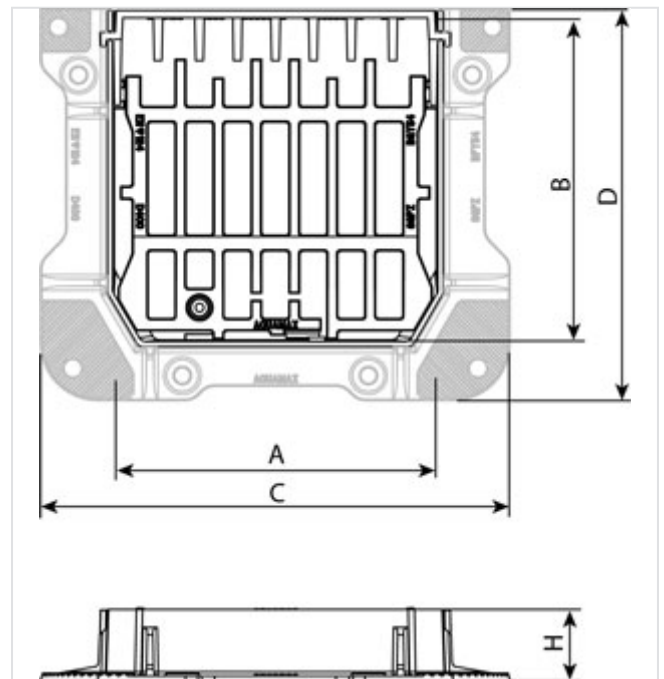
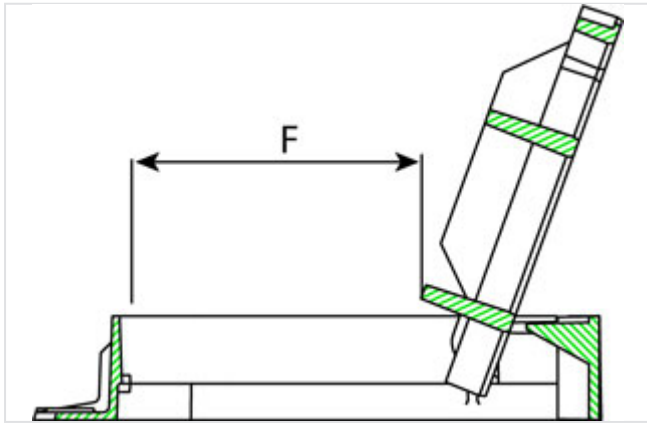
Available with the Install Plus frame levelling and installation system as standard.

Third party certified by BSI and kite marked to the requirements of BS EN 124. Compliant to the requirements of Highways England advice note HA104/09.

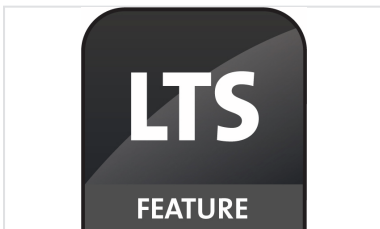
Manufactured in 500/7 Ductile Iron.

*205864 Shown Above*

CxD (mm)	AxB (mm)	F (mm)	H (mm)	Total Mass (kg)	Waterway area	Packaging	References
660x550	450x450	280	100	45.40	12.4 dm <sup>2</sup>	12	205864
660x550	450x450	280	150	48.80	12.4 dm <sup>2</sup>	9	205865

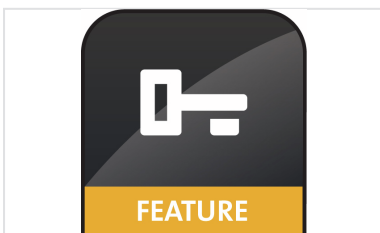


### LTS - Durability



To aid the reduction of whole life costs, the AquaMax design incorporates the Load Transfer System (LTS) to radically improve installation and product lifespan lowering the frequency of reinstatement and replacement

### Security





A captive hinged grating and an integral automatic spring bar locking mechanism combine to offer enhanced anti-theft and security capabilities.

## Health & Safety

To help reduce work-related injuries, an ergonomic hinged design makes opening simpler, easier and safer

## Performance

The unit is non rock and silent in operation. Large multi-directional wedge seatings enhance stability and durability which reduces whole life costs.

## Water Clearing Efficiency

A special asymmetrical design in the area adjacent to the kerb disrupts the normal flow to increase the volume of water entering the gully.

*The information on this sketch is, to the best of our knowledge correct at the time of printing. However Saint-Gobain are constantly looking at ways of improving their products and services therefore reserve the right to change without prior notice, any of the data shown. Any orders placed will be subject to our Standard Conditions of Sale, available on request.*

*COPYRIGHT AND DESIGN RIGHT : This drawing is the exclusive property of Saint-Gobain PAM UK and is confidential and must not be reproduced or disclosed for any third party without written consent. It must be used only for the purpose for which it has been issued and is returnable on request*