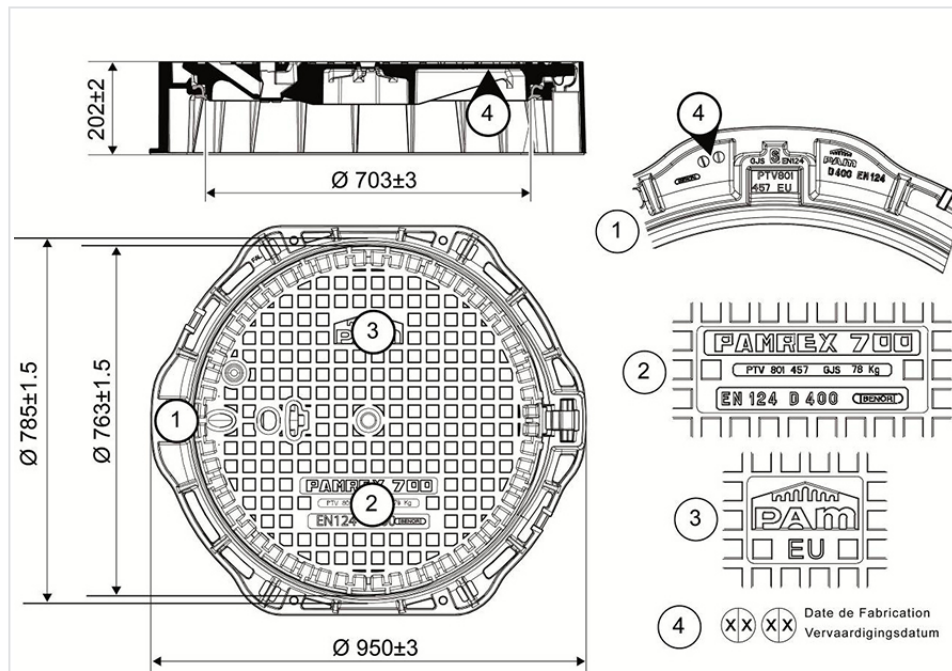


Manhole cover PAMREX 700 BENOR H200 Safety - EN124 Class D400 - Round frame – Non-Ventilated



Total Mass (kg)	Cover mass (kg)	Packaging	References
131.00	78		CDPA70EB

Material and coating:

- Frame and cover in Ductile Iron EN GJS 400-15: water base coating
- [Ring in elastomer](#)
- [Operating key](#)

Linked products



Elastomer Ring



Accessories for Manhole Covers: operating key C24 for PAMREX, VIATOP and VIATOP 2 Manhole covers



Install Plus - Frame Levelling System before bedding

The information on this sketch is, to the best of our knowledge correct at the time of printing. However Saint-Gobain are constantly looking at ways of improving their products and services therefore reserve the right to change without prior notice, any of the data shown. Any orders placed will be subject to our Standard Conditions of Sale, available on request.

COPYRIGHT AND DESIGN RIGHT: This drawing is the exclusive property of Saint-Gobain PAM UK and is confidential and must not be reproduced or disclosed for any third party without written consent. It must be used only for the purpose for which it has been issued and is returnable on request