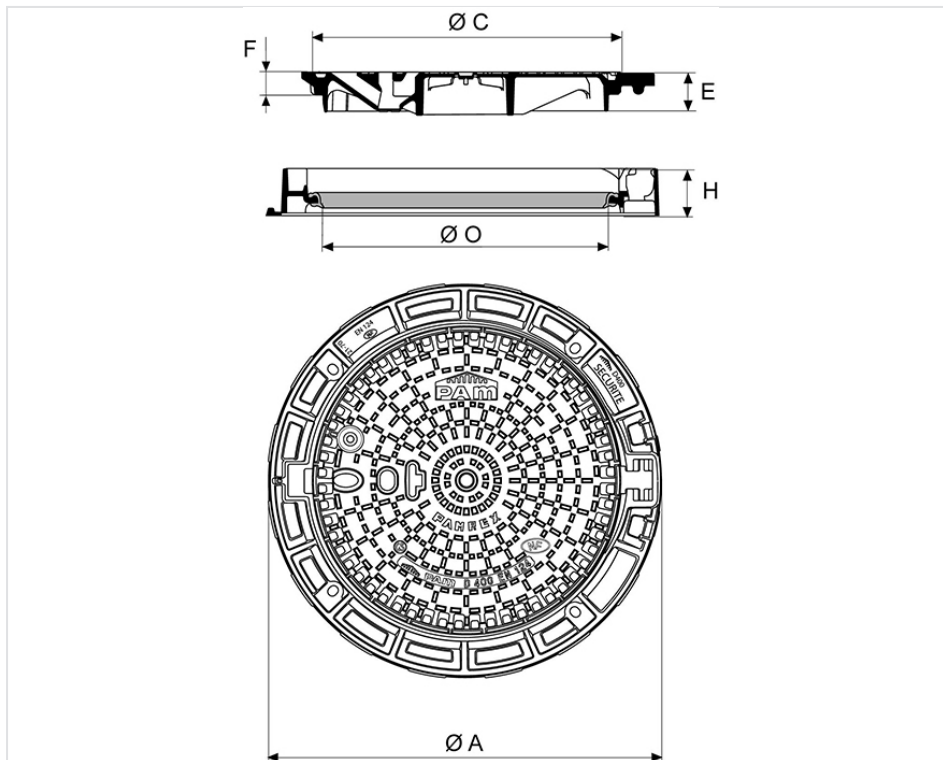


Manhole cover PAMREX 600 Safety D400 class Round frame – Non ventilated



A (mm)	C (mm)	O (mm)	H (mm)	E (mm)	F (mm)	Total Mass (kg)	Cover mass (kg)	Packaging	References
850 mm	673	610	100	85	50	84.36	53		CDPA60EF





Material and coating:

- Frame and cover in Ductile Iron EN GJS 400-15: water base coating
- [Ring in elastomer](#)

Field of application:

- D400 class (Group 4) according to standard EN124-2, carriageways of roads, hard shoulders and parking areas for all types of road vehicles.
- Heavy traffic zones and frequent visits.

Origine France Garantie

- This product is made in France in our foundry in Blénod-les-Pont-A-Mousson (54), and is certified Origine France Garantie. This guarantees consumers that the product is made in France in accordance with specifications available on originefrancegarantie.fr. The certification number is: BVCert 6026906.
- *"Origine France Garantie certification is awarded by an independent certification body. Checks are then carried out every year to ensure that the product is indeed 100% made in France and that at least 50% of the product's manufacturing costs (including raw materials) are of French origin".*»

Main characteristics:

- [Hinged cover and ergonomic handling box](#)
- Interchangeable covers
- Frame fitted for optimized bedding
- Opens to 130°, blocks at 90° when closing
- [Identification of the versions](#)
- [Operating Key C24](#)

Security

- [Anti-theft pins](#)
- [Versions with EU/EP markings](#)
- [Limitation of the run-off water entries](#)

Accessories



PAMREX / VIATOP manhole covers



1/4 turn locks



Accessories for Manhole Covers: operating key C24 for PAMREX, VIATOP and VIATOP 2 Manhole covers

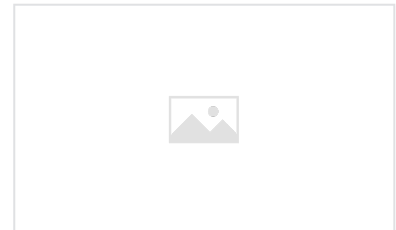
Linked products



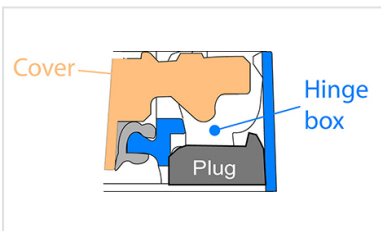
Elastomer Ring



Anti-theft pins for PAMREX / VIATOP 600 and 700 / VIATOP 2 manhole cover



Identification of PAMREX manhole covers versions



PAMREX and VIATOP 800 manhole covers - Limitation of the streaming water entries



Install Plus - Frame Levelling System before bedding



The information on this sketch is, to the best of our knowledge correct at the time of printing. However Saint-Gobain are constantly looking at ways of improving their products and services therefore reserve the right to change without prior notice, any of the data shown. Any orders placed will be subject to our Standard Conditions of Sale, available on request.

COPYRIGHT AND DESIGN RIGHT : This drawing is the exclusive property of Saint-Gobain PAM UK and is confidential and must not be reproduced or disclosed for any third party without written consent. It must be used only for the purpose for which it has been issued and is returnable on request