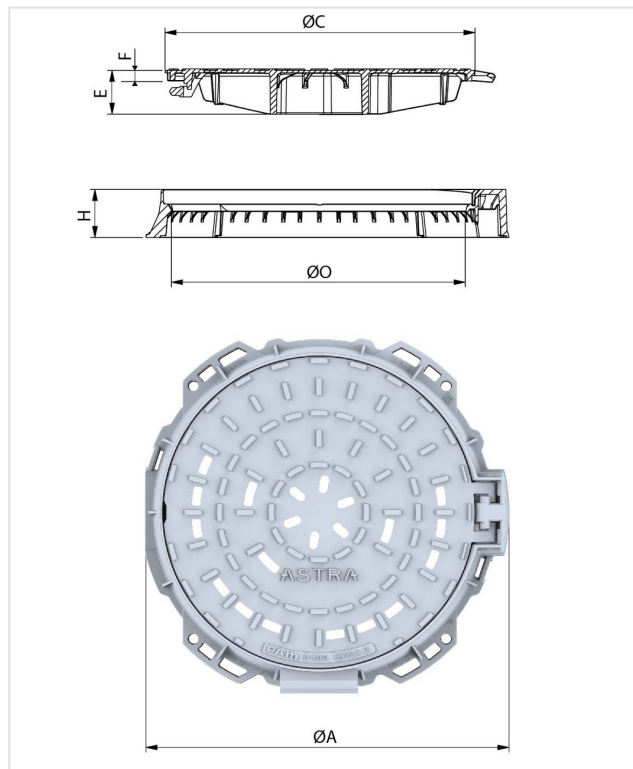


Manhole Cover ASTRA Class D400 Round frame Ø 785 – Ventilated



A (mm)	C (mm)	O (mm)	H (mm)	E (mm)	F (mm)	Total Mass (kg)	Cover mass (kg)	Packaging	References
785	643	608	100	93	22	44.10	28.6		CDAS60BA

Material and coating:

- Frame and cover in Ductile Iron EN GJS 400-15: water base coating
- [Ring in PE](#)

Origine France Garantie

- This product is made in France in our foundry in Blénod-les-Pont-A-Mousson (54), and is certified Origine France Garantie. This guarantees consumers that the product is made in France in accordance with specifications available on originefrancegarantie.fr. The certification number is: BVCert 6026906.
- *"Origine France Garantie certification is awarded by an independent certification body. Checks are then carried out every year to ensure that the product is indeed 100% made in France and that at least 50% of the product's manufacturing costs (including raw materials) are of French origin".*



Field of application:

- Group 4 (class D 400) in accordance with EN124-2 standard: areas bearing low traffic conditions, predominantly defined as private cars passing at restricted speed, typical conditions met in housing areas
- Periodic inspection and visit of sewer mains

Main characteristics:

[UA certification issued by MA39 \(Wien\): R-15.1.1-23-18036.](#)

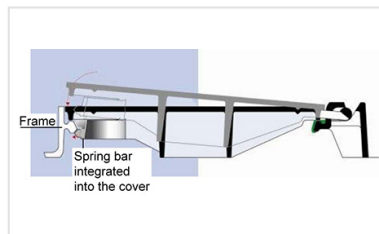
Cover

- [Automatic locking by ductile iron spring bar](#)
- Unlocking by means of crow bar or pick axe, manual lifting
- Ventilated or not
- Hinged cover, opens to 110°, blocks at 90° when closing
- [Anti-theft C111 spline option](#)
- Badging: exclusively generic markings such as e.g. "sewers", "water", "rain water", etc...

Linked products



Polyethylene ring



Manhole covers - Locking of the cover by spring bar

The information on this sketch is, to the best of our knowledge correct at the time of printing. However Saint-Gobain are constantly looking at ways of improving their products and services therefore reserve the right to change without prior notice, any of the data shown. Any orders placed will be subject to our Standard Conditions of Sale, available on request.

COPYRIGHT AND DESIGN RIGHT: This drawing is the exclusive property of Saint-Gobain PAM UK and is confidential and must not be reproduced or disclosed for any third party without written consent. It must be used only for the purpose for which it has been issued and is returnable on request