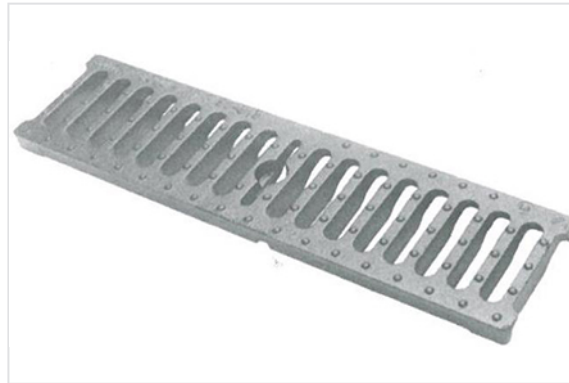
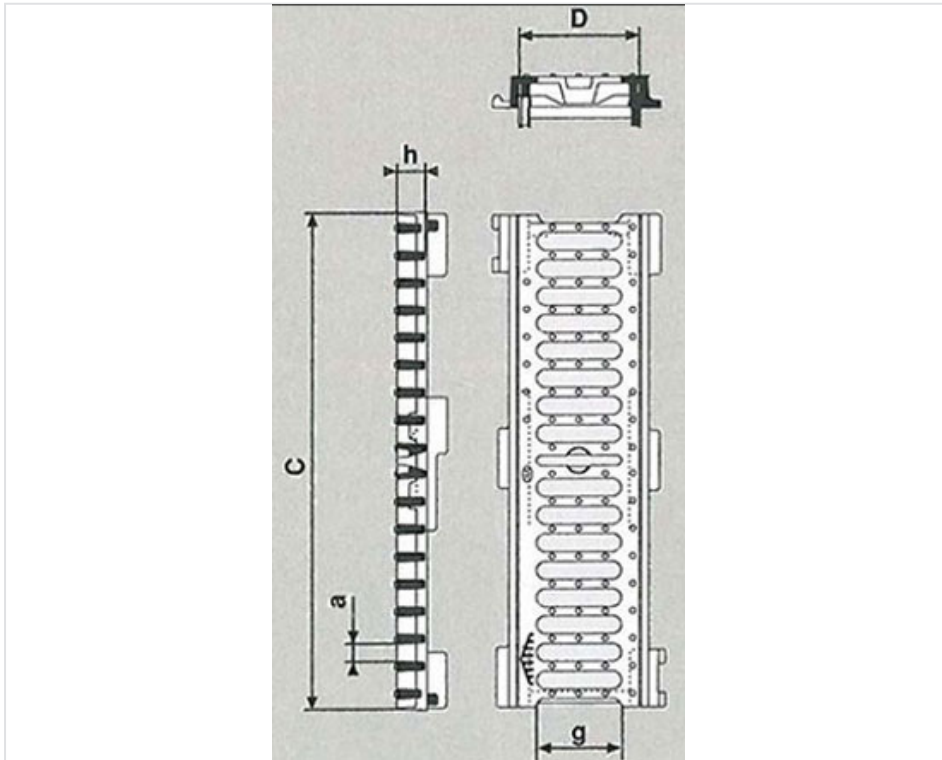




Gratings for precast gutter 500x124 Classes C250, D400, E600



Version	CxD (mm)	A (mm)	G (mm)	H (mm)	Mass (kg)	Waterway area	References
E600	500x124	18	86	28.4	4.80	2.6 dm ²	EECL12PX
D400	500x124	18	86	28.5	4.80	2.6 dm ²	EDCL51PX
C250	500x124	18	102	20	3.50	3.5 dm ²	ECCL12PX



Origine France Garantie

- This product is made in France in our foundry in Blénod-les-Pont-A-Mousson (54), and is certified Origine France Garantie. This guarantees consumers that the product is made in France in accordance with specifications available on originefrancegarantie.fr. The certification number is: BVCert 6026906.
- *“Origine France Garantie certification is awarded by an independent certification body. Checks are then carried out every year to ensure that the product is indeed 100% made in France and that at least 50% of the product's manufacturing costs (including raw materials) are of French origin”.»*

Material and coatings

- EN GJS 400-15 Ductile Iron grating bituminous varnish coating (VBI)



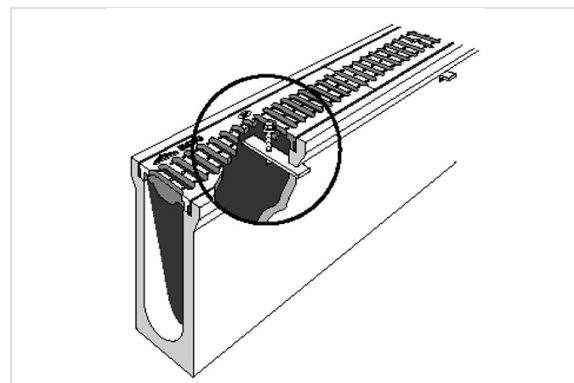
Field of use

- Gratings designed for installation in their frame or in concrete casted rabbet (Locking possible in both case)
- Class of use has to be defined depending on installation
- Gratings compliant with disable people regulation

Main characteristics

- Grating alone
- Possibility to lock gratings with their neighbors with locking system
- Frame compliant with 3 classes (D400/E600/F900)

Locking system (bars + screw)



L	l	Ep	Threaded	Total mass	References
mm	mm	mm	mm	kg	
138	30	5	M8	0.2	168044



Specificities

- To obtain locking, grating needs to be installed in its frame
- Or on concrete rabbet (in this case, manage an area for bars insertion as described in scheme above)

The information on this sketch is, to the best of our knowledge correct at the time of printing. However Saint-Gobain are constantly looking at ways of improving their products and services therefore reserve the right to change without prior notice, any of the data shown. Any orders placed will be subject to our Standard Conditions of Sale, available on request.