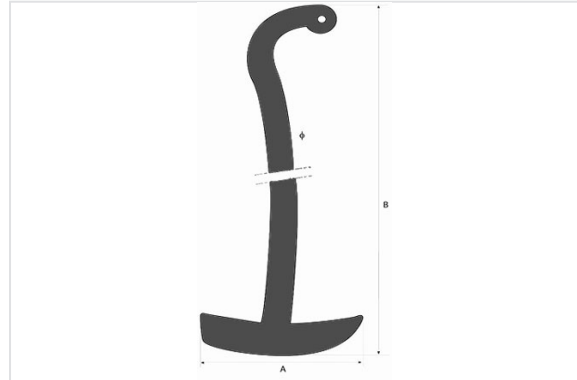


## Plate hammer for Telecom duct covers T-MAX

France Telecom homologated plate hammer



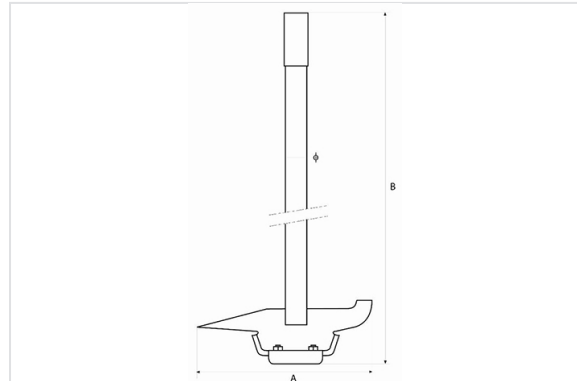
Type B



Simplified plate hammer



Type A



These hammers are used for taking off, lifting and moving the cover from its frame. They are used alone or by pairs. They must be ordered separately.

Type	A (mm)	B (mm)	∅ (mm)	Mass (kg)	Packaging	References
A	294	1030	34	6.00	1	D10
B	195	960	34	5.00	1	D11

*The information on this sketch is, to the best of our knowledge correct at the time of printing. However Saint-Gobain are constantly looking at ways of improving their products and services therefore reserve the right to change without prior notice, any of the data shown. Any orders placed will be subject to our Standard Conditions of Sale, available on request.*