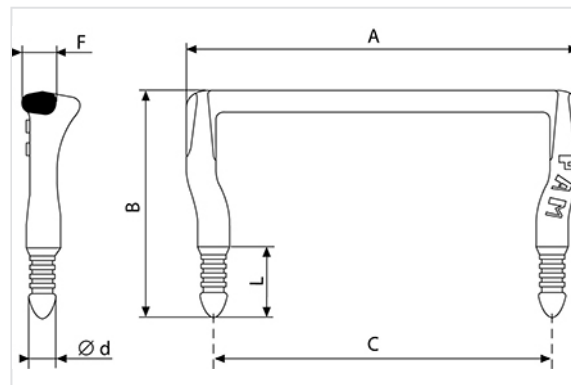




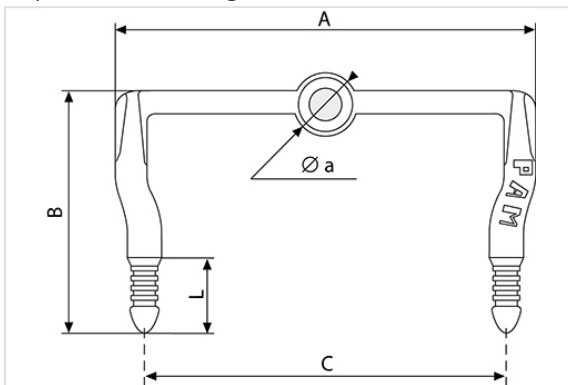
Step iron and guide for manhole chimneys

Normal

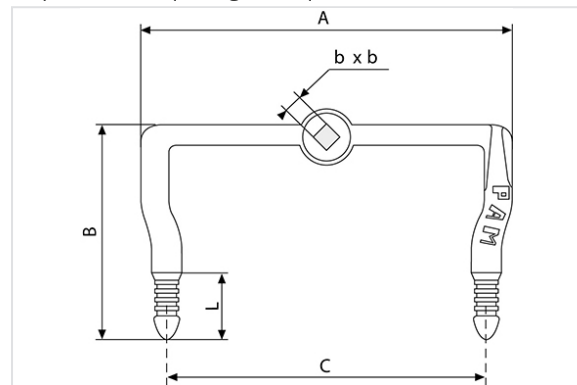


Version	A	B	C	Mass	References
Normal	350 mm	200 mm	300 mm	2.40 kg	C26
Square guide	350 mm	200 mm	300 mm	2.50 kg	C28
Circular guide	350 mm	200 mm	300 mm	2.50 kg	C27

Step iron with circular guide round holes



Step iron with square guide square holes





Origine France Garantie

- This product is made in France in our foundry in Blénod-les-Pont-A-Mousson (54), and is certified Origine France Garantie. This guarantees consumers that the product is made in France in accordance with specifications available on originefrancegarantie.fr. The certification number is: BVCert 6026906.
- *"Origine France Garantie certification is awarded by an independent certification body. Checks are then carried out every year to ensure that the product is indeed 100% made in France and that at least 50% of the product's manufacturing costs (including raw materials) are of French origin".*»

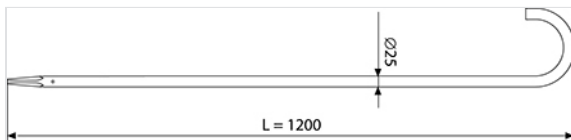
Step iron

The installation of the step iron in manhole chimneys can be performed by the following methods:

- Introduction in fresh concrete
- Sealing the cement mortar into the holes during the prefabrication
- Sticking (uncoated step iron) into the holes during the prefabrication

Penetration length = 60mm.

Galvanized steel guide for step iron

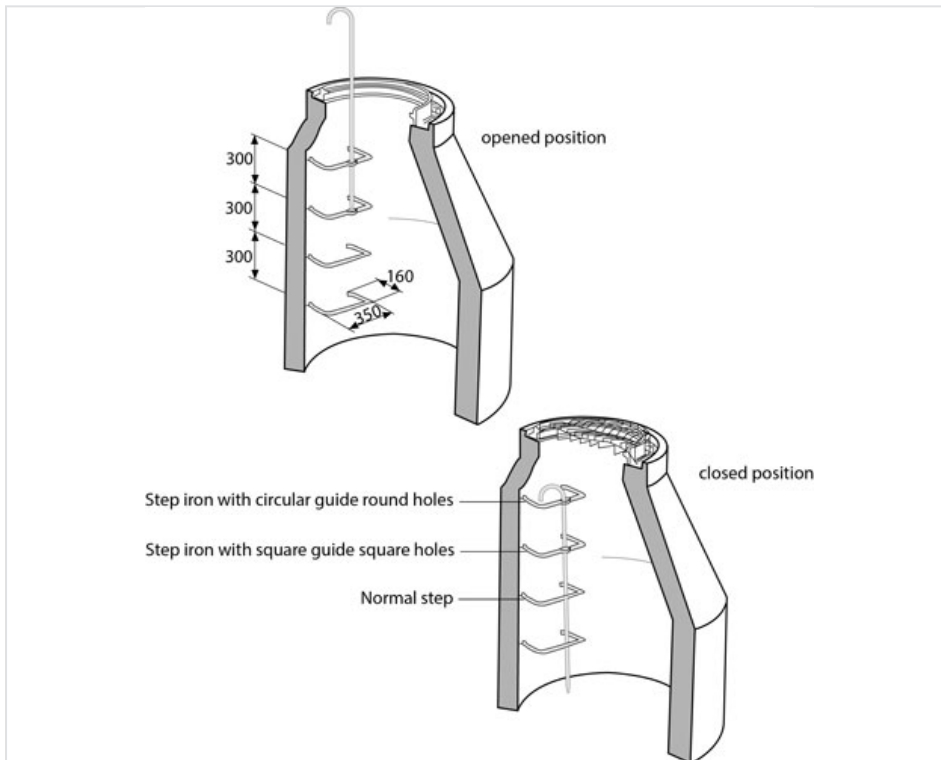


Reference C29 (mass : 5,3 kg)

Steel guides are provided at their lower ends a Ø8 hole that can receive a pin (not supplied). When the guide is mounted on the step, the pin can be established definitively. It therefore prevents the removal of the guide.



Manhole chimneys: example of mounting



After opening the manhole, the guide must be pulled upward to above the level in the square hole. To maintain the guide in high position engage its end into the square hole. This guide indicates the presence of an opened manhole and makes easier the descent during an intervention by authorized personnel.

The information on this sketch is, to the best of our knowledge correct at the time of printing. However Saint-Gobain are constantly looking at ways of improving their products and services therefore reserve the right to change without prior notice, any of the data shown. Any orders placed will be subject to our Standard Conditions of Sale, available on request.