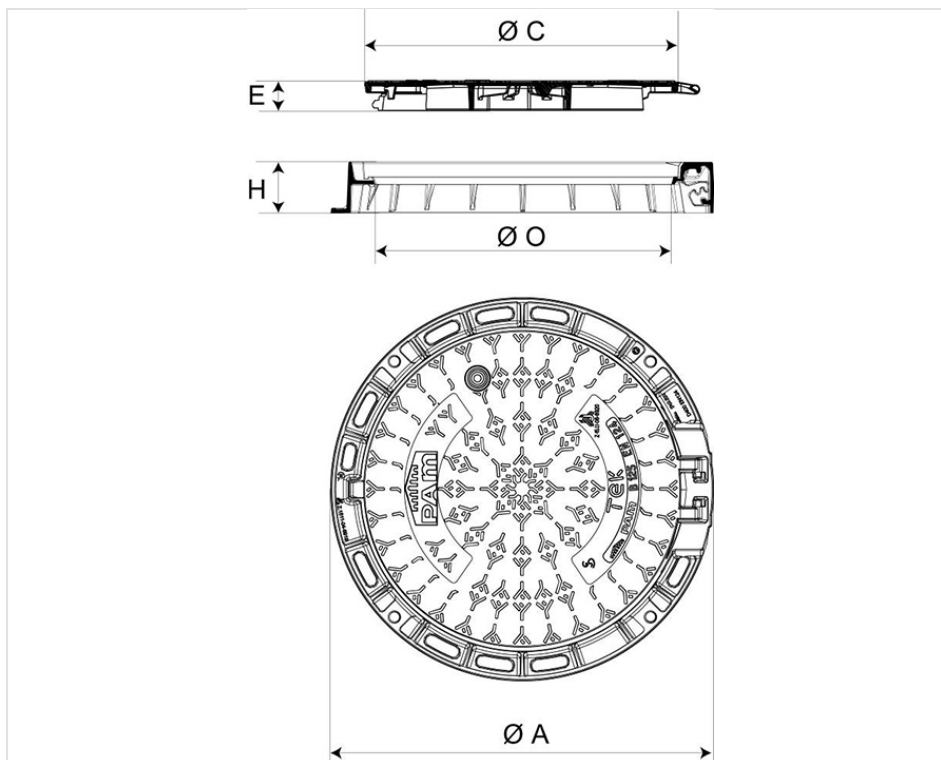




**Pavement manhole cover TEK Class B125 Round frame Ø 785 – Non Ventilated**



A (mm)	O (mm)	H (mm)	C (mm)	E (mm)	Total Mass (kg)	Cover mass (kg)	Packaging	References
785	600	100	643	58	47.10	26	10	CBTE60EU





### Material and coating:

- Frame and cover in Ductile Iron EN GJS 400-15: water base
- [Ring in PE](#)

### Field of application:

- B125 class (Group 2) according to standard EN124-2, footways, pedestrian areas and comparable areas, car parks and car parking decks.

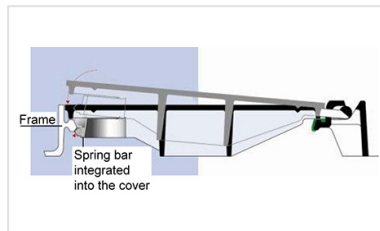
### Main characteristics:

- [Automatic locking by ductile iron spring bar](#)
- Hinged cover, opens to 110°
- Optimized frame for bedding
- [Optional locking system](#)
- [Optional cover anti-theft spline](#)

### Linked products



Polyethylene ring



Manhole covers - Locking of the cover by spring bar



1/4 turn locks



Cover anti-theft spline -  
Manhole cover TEK and B-  
TEC



*The information on this sketch is, to the best of our knowledge correct at the time of printing. However Saint-Gobain are constantly looking at ways of improving their products and services therefore reserve the right to change without prior notice, any of the data shown. Any orders placed will be subject to our Standard Conditions of Sale, available on request.*