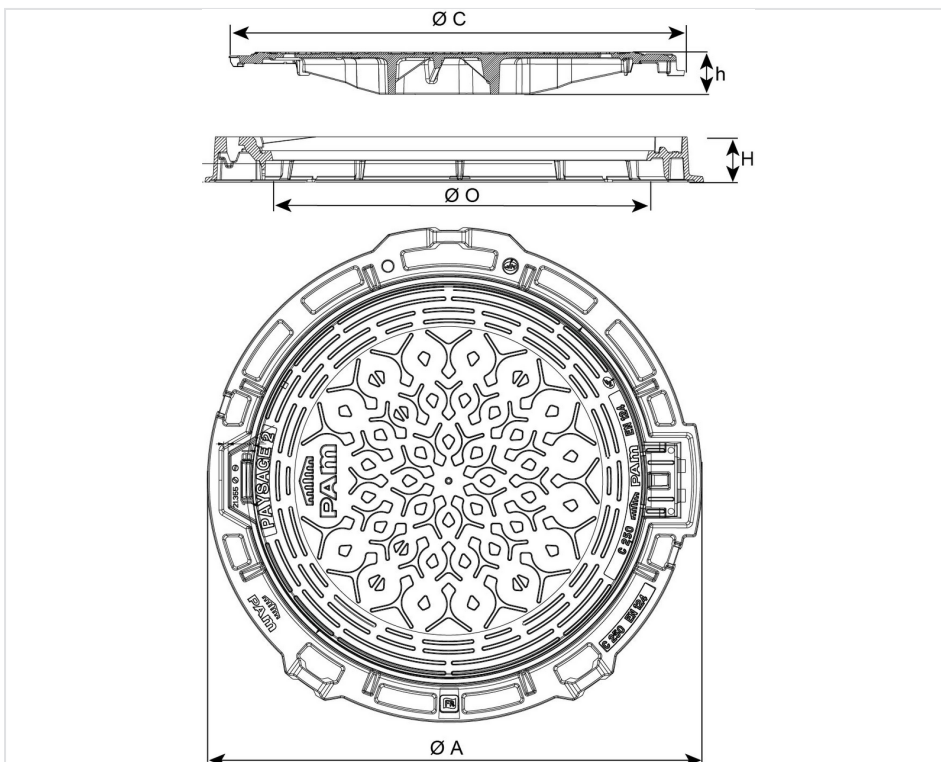


Manhole cover PAYSAGE 2 C250 class - Round frame - Non ventilated



A (mm)	C (mm)	O (mm)	H (mm)	h (mm)	Total Mass (kg)	Cover mass (kg)	Packaging	References
830	747.5	600	75	69	43.70	24.8	10	CCPG60AF



Material and coating:

- Frame and cover in Ductile Iron EN GJS 400-15: bituminous varnish or water base
- [Ring in PEPP](#)

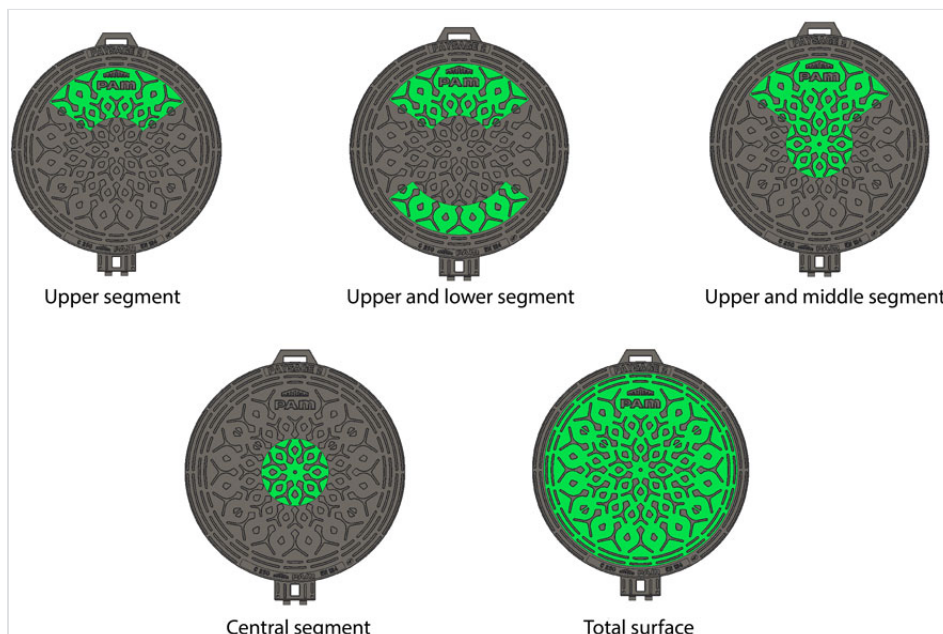
Field of application:

- C250 class (Group 3) according to standard EN 124-2, intended for the circulated pavements and similar locations subjected to the passage of vehicles.

Origine France Garantie

- This product is made in France in our foundry in Blénod-les-Pont-A-Mousson (54), and is certified Origine France Garantie. This guarantees consumers that the product is made in France in accordance with specifications available on originefrancegarantie.fr. The certification number is: BVCert 6026906.
- *"Origine France Garantie certification is awarded by an independent certification body. Checks are then carried out every year to ensure that the product is indeed 100% made in France and that at least 50% of the product's manufacturing costs (including raw materials) are of French origin".*

Main characteristics:



- Major surfaces possible customization (see specific technical data sheet)
- Hinged cover, 90° safety blocking,

- Hinge restricting entry of soils
- Handling box for pickaxe
- Operating handle preventing opening without pick
- Honeycomb frame for easy sealing
- Lifting eyes on the frame for easy handling
- Antitheft kit for frame and cover: optional

Special versions

Paysage 2 "TERRITORIALES by PAM" : 4 special versions to display and celebrate territories, cultural and regional identities. Available with standard black or Color by PAM coating.

Products	Frame	Certification	Cover	Marking	References
PAYSAGE 2	Round	NF	Non ventilated	TRISKELL	CCPG60AFM04
				VIGNE	CCPG60AFM05
				FLOCONS	CCPG60AFM06
				ROSE DES VENTS	CCPG60AFM07

Linked products



Composite ring

The information on this sketch is, to the best of our knowledge correct at the time of printing. However Saint-Gobain are constantly looking at ways of improving their products and services therefore reserve the right to change without prior notice, any of the data shown. Any orders placed will be subject to our Standard Conditions of Sale, available on request.