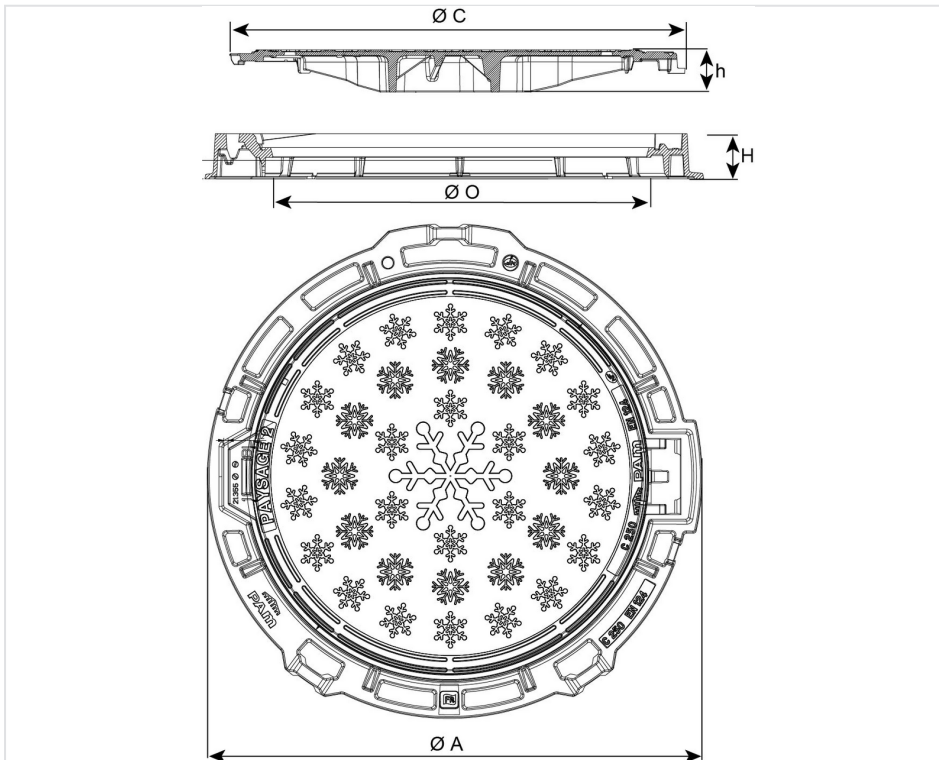


Manhole cover PAYSAGE 2 Snowflakes C250 class - Round frame - Non ventilated



Snowflakes version for mountain regions

A (mm)	C (mm)	O (mm)	H (mm)	h (mm)	Total Mass (kg)	Cover mass (kg)	Packaging	References
830	747.5	600	75	69	43.70	24.8	10	CCPG60AFM06



Material and coating:

- Frame and cover in Ductile Iron EN GJS 400-15: bituminous varnish or water base
- [Ring in PEPP](#)

Field of application:

- C250 class (Group 3) according to standard EN 124-2, intended for the circulated pavements and similar locations subjected to the passage of vehicles.

Main characteristics:

- Hinged cover, 90° safety blocking,
- Hinge restricting entry of soils
- Handling box for pickaxe
- Operating handle preventing opening without pick
- Honeycomb frame for easy sealing
- Lifting eyes on the frame for easy handling
- Antitheft kit for frame and cover: [C102](#) (optional)

Option: Paysage 2 "Territoriales by PAM" is of course eligible for the Color by PAM program

Warning: customization is not possible.

Linked products



Composite ring

The information on this sketch is, to the best of our knowledge correct at the time of printing. However Saint-Gobain are constantly looking at ways of improving their products and services therefore reserve the right to change without prior notice, any of the data shown. Any orders placed will be subject to our Standard Conditions of Sale, available on request.