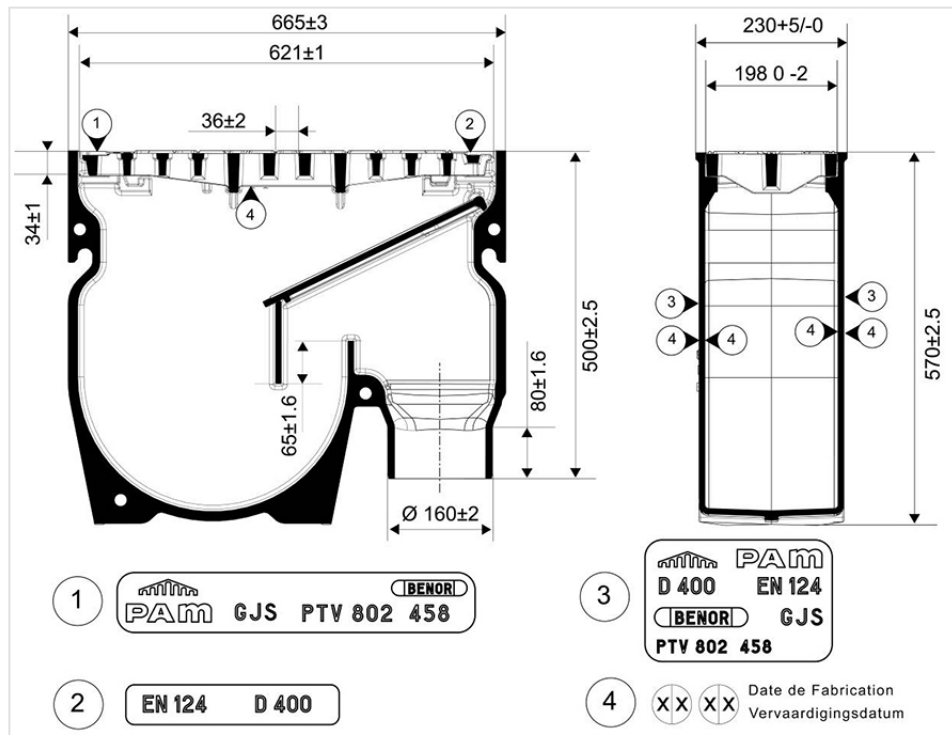


**Gully unit VBS BENOR EN 124 Class D400 - Vertical outlet PVC DN150/160**



Total Mass (kg)	Grating mass (kg)	Waterway area	Capacity	References
96.15	13	12 dm <sup>2</sup>	17.5 dm <sup>3</sup>	EDVB66VBX25

**Material and coating:**

- Tank, valve and grating in Ductile Iron EN GJS 500-7: uncoated

*The information on this sketch is, to the best of our knowledge correct at the time of printing. However Saint-Gobain are constantly looking at ways of improving their products and services therefore reserve the right to change without prior notice, any of the data shown. Any orders placed will be subject to our Standard Conditions of Sale, available on request.*