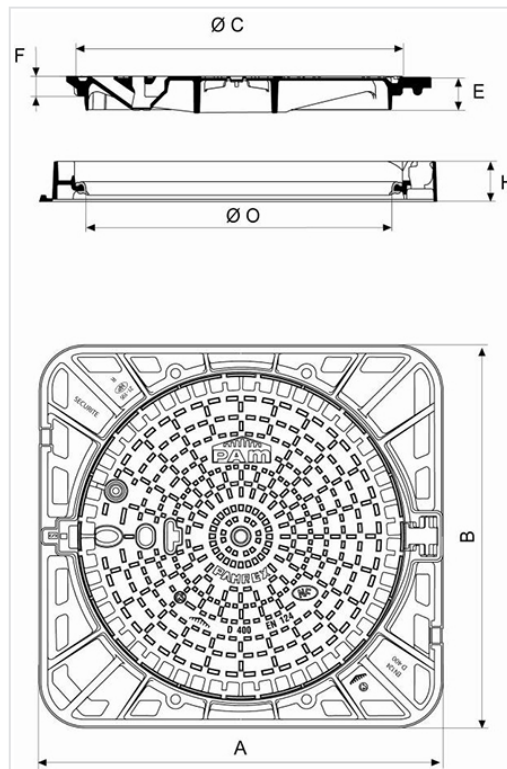


## Manhole cover PAMREX 700 Safety D400 class Square frame – Non ventilated



AxB (mm)	C (mm)	E (mm)	F (mm)	H (mm)	O (mm)	Total Mass (kg)	Cover mass (kg)	Packaging	References
900x900	763	85	50	100	700	118.00	71	10	CDPA70MF

### Material and coating:

- Frame and cover in Ductile Iron EN GJS 400-15: water base coating
- [Ring in elastomer](#)

### Field of application:

- D400 class (Group 4) according to standard EN124-2, carriageways of roads, hard shoulders and parking areas for all types of road vehicles.
- Heavy traffic zones and frequent visits.

## Main characteristics:

- [Hinged cover and ergonomic handling box](#)
- Interchangeable covers
- Frame fitted for optimized bedding
- Opens to 130°, blocks at 90° when closing
- [Identification of the versions](#)
- [Operating Key C24](#)

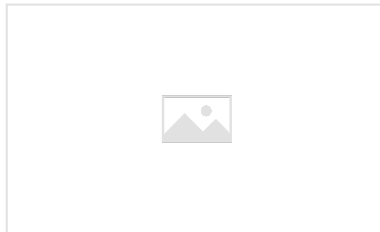
## Security

- [Anti-theft pins](#)
- [Quarter turn locking system](#)
- [Limitation of the run-off water entries](#)

## Accessories



PAMREX / VIATOP manhole covers



Identification of PAMREX manhole covers versions

## Linked products



Elastomer Ring



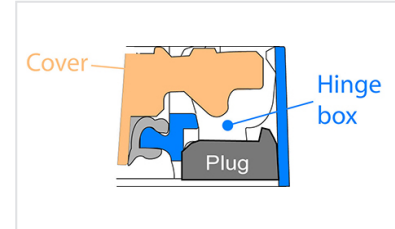
Anti-theft pins for PAMREX / VIATOP 600 and 700 / VIATOP 2 manhole cover



¼ turn locks



Accessories for Manhole Covers: operating key C24 for PAMREX, VIATOP and VIATOP 2 Manhole covers



PAMREX and VIATOP 800 manhole covers -  
Limitation of the streaming water entries

*The information on this sketch is, to the best of our knowledge correct at the time of printing. However Saint-Gobain are constantly looking at ways of improving their products and services therefore reserve the right to change without prior notice, any of the data shown. Any orders placed will be subject to our Standard Conditions of Sale, available on request.*