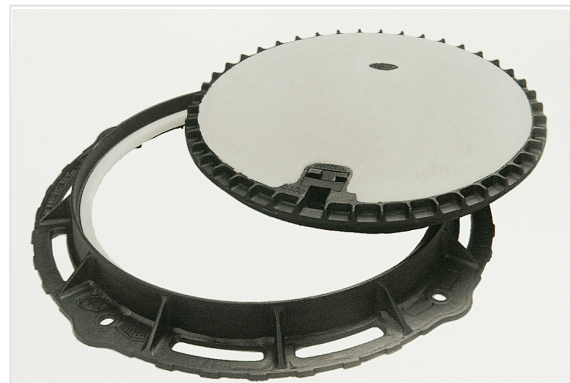
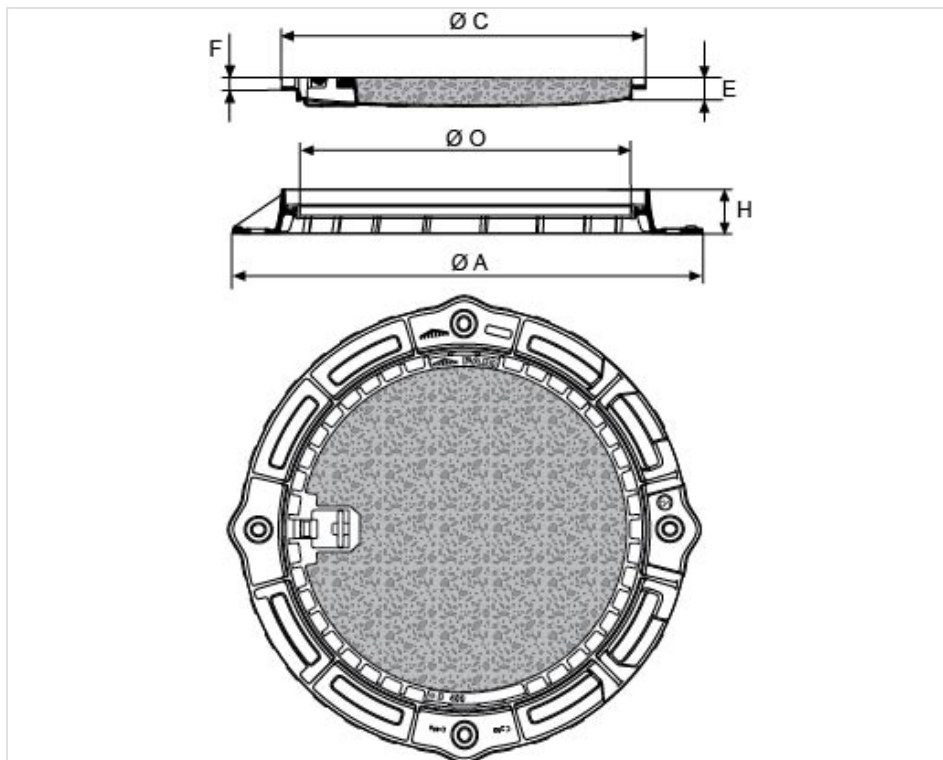




Manhole cover RC 40 Concreted or without concrete D400 class Round frame



Type	A (mm)	C (mm)	O (mm)	H (mm)	E (mm)	F (mm)	Total Mass (kg)	Cover mass (kg)	Packaging	References
Concreted	850	646	600	75	55	27	78.00	59.5	10	CDRC60CX
Without concrete	850	646	600	75	55	27	43.70	25.5	10	CDRC607X





## Material and coating:

- Frame and cover in Ductile Iron EN GJS 400-15: bituminous varnish or water base
- Cover with concrete or without concrete
- [Ring in PE](#)

## Field of application:

- D400 class (Group 4) according to standard EN124-2, carriageways of roads, hard shoulders and parking areas for all types of road vehicles.
- Low traffic areas and infrequent visits.

## Origine France Garantie

- This product is made in France in our foundry in Blénod-les-Pont-A-Mousson (54), and is certified Origine France Garantie. This guarantees consumers that the product is made in France in accordance with specifications available on [originefrancegarantie.fr](http://originefrancegarantie.fr). The certification number is: BVCert 6026906.
- *"Origine France Garantie certification is awarded by an independent certification body. Checks are then carried out every year to ensure that the product is indeed 100% made in France and that at least 50% of the product's manufacturing costs (including raw materials) are of French origin".»*

## Main characteristics:

- Sealed handling box.

## Linked products



Polyethylene ring

*The information on this sketch is, to the best of our knowledge correct at the time of printing. However Saint-Gobain are constantly looking at ways of improving their products and services therefore reserve the right to change without prior notice, any of the data shown. Any orders placed will be subject to our Standard Conditions of Sale, available on request.*