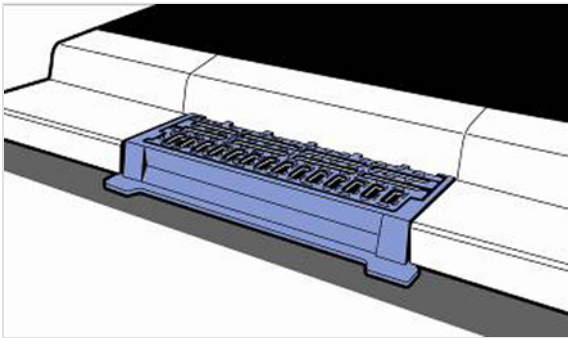


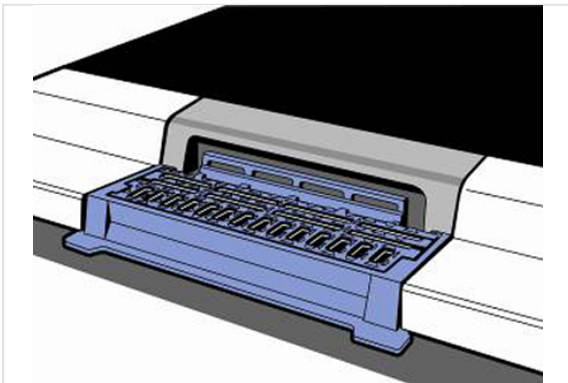
Gratings SELECTA C250 - Implementation

The SELECTA gratings are to be installed in kerb:

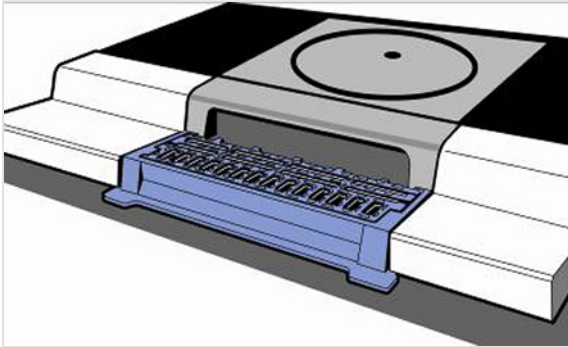
A – Either alone along a kerb type A or T



B – Or with a gully A-profile or T-profile



C – Or with a cover plate type A or T



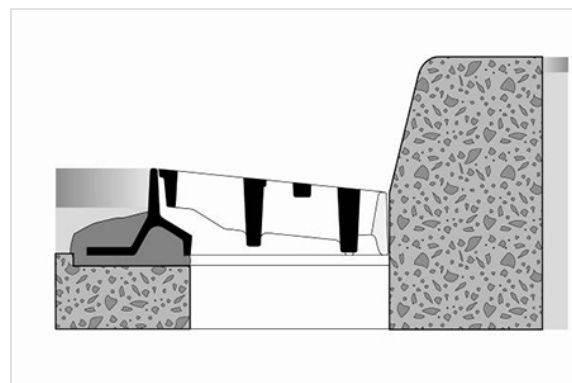
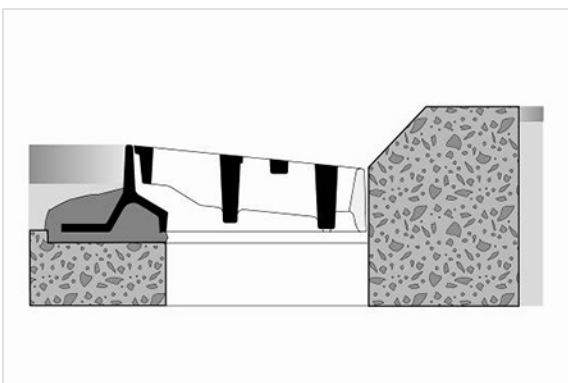
Bedding recommendations:

- It's advised to realize a formwork with interior dimensions of the concrete manhole or gully pot.
- Lay a coat of sealing product (thickness min. about 30 mm).
- Lay the frame on the sealing product and regulate its level.
- Finish the bedding by recovering completely the flange until the desired height (to take account of a possible coated type surfacing or other).

Important recommendations:

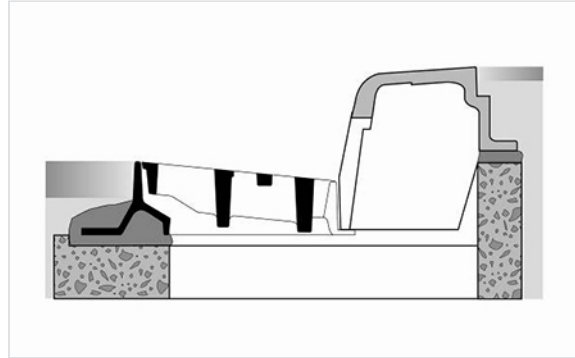
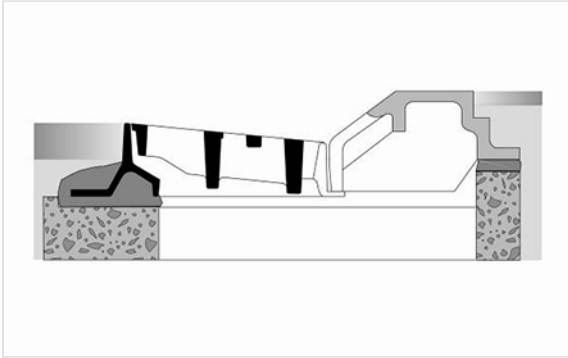
- To clean the interior part of the frame (support zones of the grating and the flagstone) and in particular the zones in contact with the spring bars.
- To lay the grating on the frame without click-in. To wait the complete setting of the sealing product before to lock it in the frame.

A – Example of installation with a SELECTA grating along a kerb A-profile and T-profile.



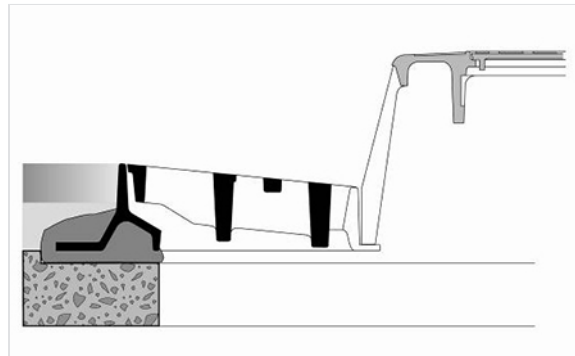
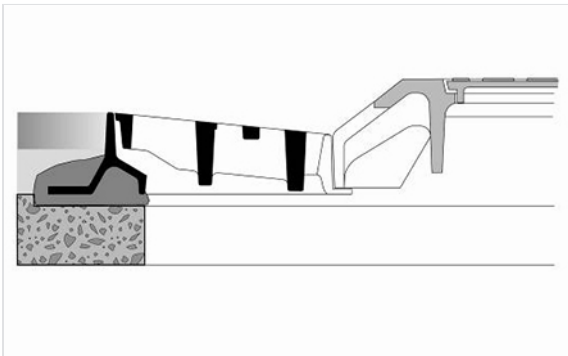
It is advised to use in these cases of the SELECTA gratings without legs support gully.

B – Example of installation with a SELECTA grating with gully T-profile and A-profile.



The gully comes to take support on the legs support of the grating.

C – Example of installation with a SELECTA grating with a cover plate A-profile and T-profile.



The cover plate comes to take support on the legs support of the grating.

The information on this sketch is, to the best of our knowledge correct at the time of printing. However Saint-Gobain are constantly looking at ways of improving their products and services therefore reserve the right to change without prior notice, any of the data shown. Any orders placed will be subject to our Standard Conditions of Sale, available on request.