

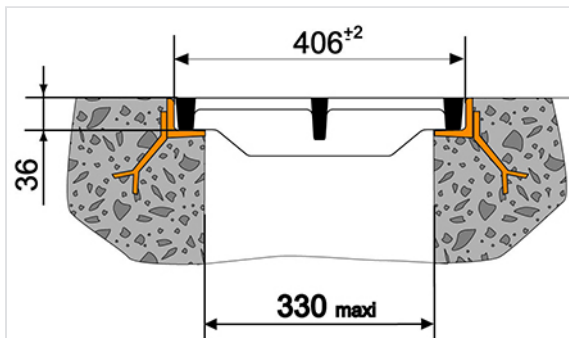
Grating TRANSLINEA D400/E600 - Dimensions of concrete channels and assembly of the gratings



The TRANSLINEA D400 or E600 gratings can be posed on channels having a rebate realized either with angle fittings or with T section frames.

The chaining of this type of grating (between gratings and grating/end pieces) forbids all cuts.

Implementation on angle fittings



Angle fittings with equal wings 40 x 40 ep. 4 in stainless A33 steel.

To plan anchoring legs all 2m.

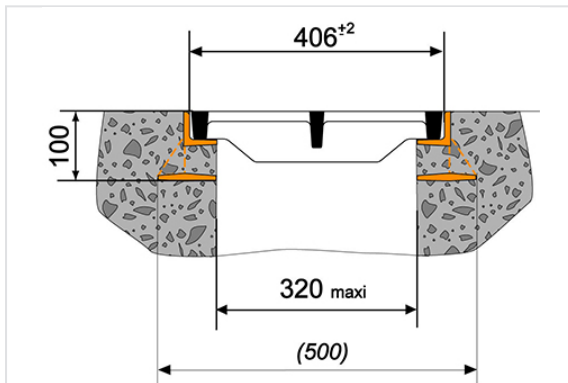
Planarity between edges 2 mm and linearity 1 mm.

Concrete strength: 10 MPa.

Use of end pieces: [reference E10](#)

And chaining elements: [reference E9](#)

Implementation on T section frame



T section frames with planarity between edges 2 mm and linearity 1 mm
Concrete strength ≥ 10 MPa

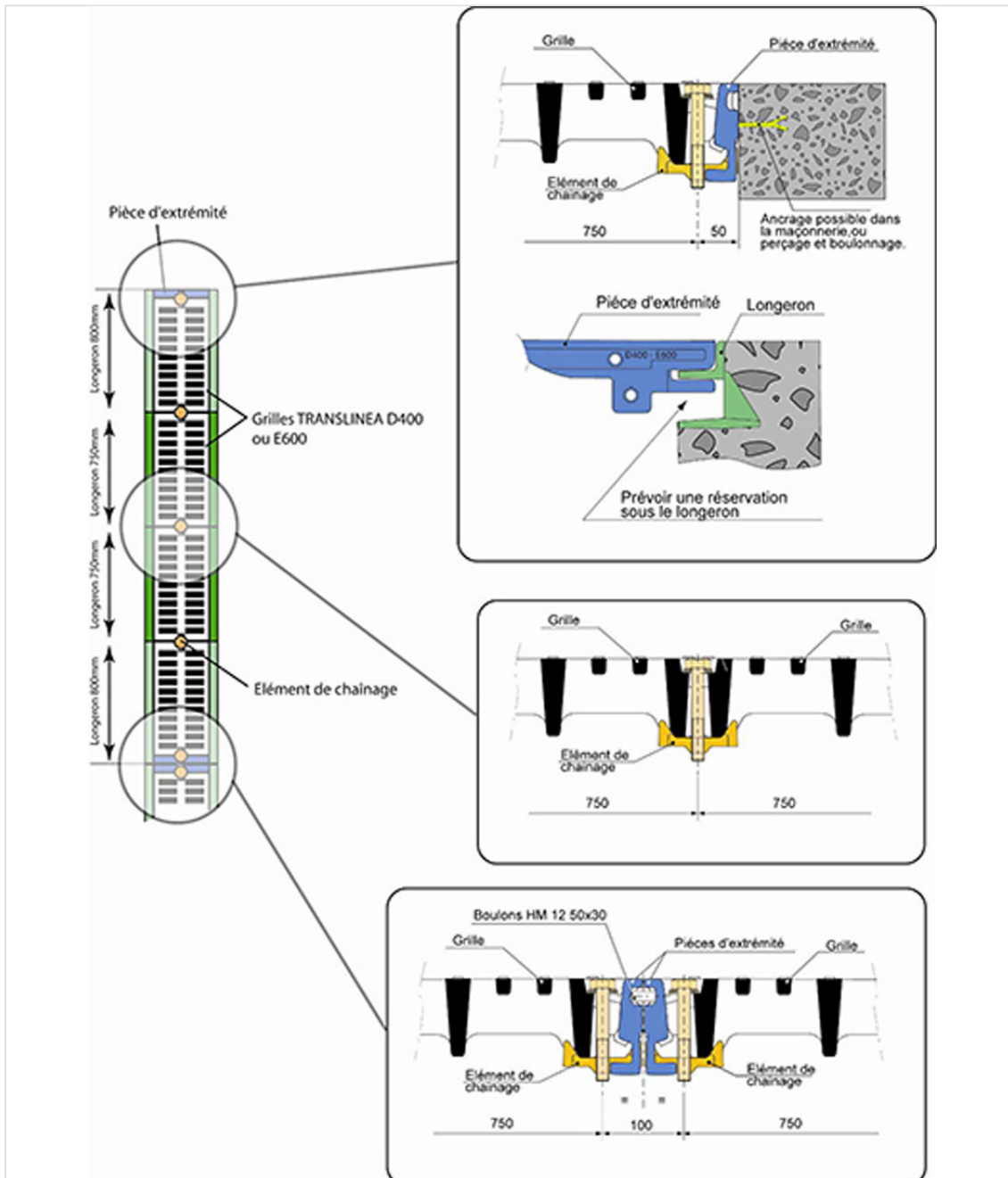
Use of T section frames,

- length 750 mm for a grating: [reference E7](#)
- length 800 mm for a grating associated with an end piece: [reference E8](#)

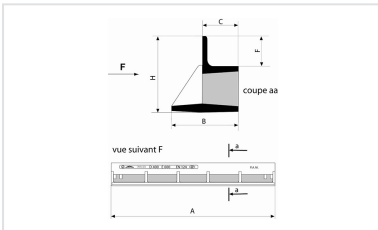
End pieces: [reference E10](#)

And chaining elements: [reference E9](#)

Assembly

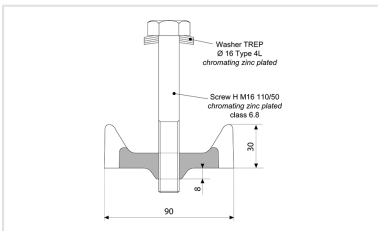


Accessories

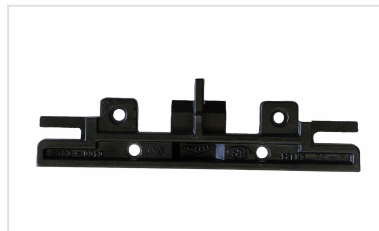


T section frame 800 mm
for gratings TRANSLINEA
D400 and E600 class

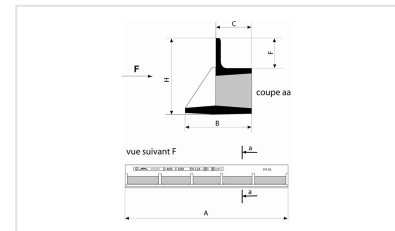
Linked products



Chaining device for
TRANSLINEA grating D400
and E600 class



End piece for TRANSLINEA
gratings D400 and E600
class



T section frame 750 mm
for gratings AUTOLINEA
D400 class - TRANSLINEA
D400 and E600 class

The information on this sketch is, to the best of our knowledge correct at the time of printing. However Saint-Gobain are constantly looking at ways of improving their products and services therefore reserve the right to change without prior notice, any of the data shown. Any orders placed will be subject to our Standard Conditions of Sale, available on request.