

## PAMREX / VIATOP manhole covers



### Articulated cover and ergonomic handling box

#### Report

- Rising of municipal castings = one of the most painful tasks of the cleaning operative, according to INRS research.

#### Cause

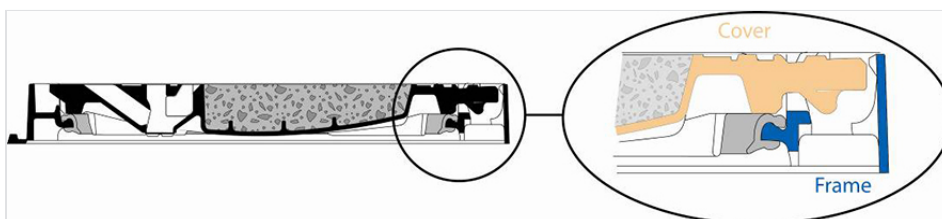
- Excessive mass of the covers.
- Clogging of the covers → addition of effort (+ 50% minimum).
- Diversity of the types of manhole covers and the handling tools.
- Lack in training on the effective "postures".

#### Consequences

- Onset or aggravation of lumbago.
- Intense cardiac solicitations.
- The prevention of these physiological disorders is conditioned by: the opening convenience of the covers, the presence "help for the handling", a "ergonomic" posture, weights of castings "acceptable"

The performances of PAMREX / VIATOP manhole covers as regards ergonomics facilitate the interventions on the networks and improve the security of exploitation.

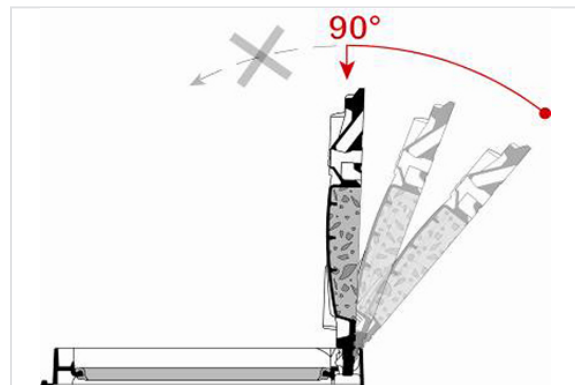
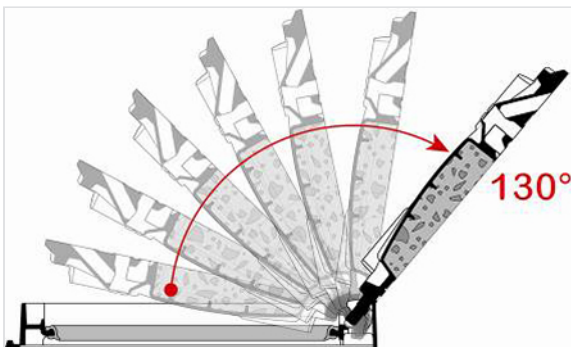
### Articulated cover



The articulation of a cover strongly decreases the required effort for its opening and this compared to a cover without articulation.

The PAMREX / VIATOP manhole covers are equipped of articulated covers through a hinge.

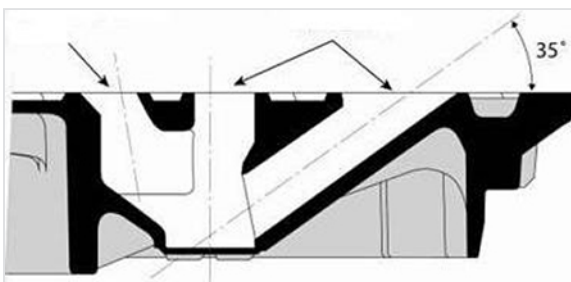
This hinge presents the characteristic, unlike a hinge, not to have any contact with the frame when the cover is in closed position and it thus doesn't undergo the constraints of the traffic, which guarantees its longevity.



The hinge enables the opening of the cover at 130° and, on the "Safety" versions, ensures the blocking of the cover at 90°. Its geometry ensures a permanent guidance of the plug at the opening and in particular at the closing removing all risks of wedgings and shocks with the frame or the ring.

The articulation enables also the opening of the cover, in the event of the sewer system being accidentally pressurized, while maintaining the cover in place in its frame, and letting it be closed under its own weight as of the end of the event thus avoiding leaving a gaping hole.

### Handling box



The measurement of the compressive force on the intervertebral discs enables a scientific evaluation of the physical constraints related to the handling of loads.

The value of 350 daN is internationally recognized like a maximum.



The handling box of Pamrex manhole covers enables the uprising of the covers with efforts significantly lower than this value by using the crowbar in the housing inclined at 35°.

*The information on this sketch is, to the best of our knowledge correct at the time of printing. However Saint-Gobain are constantly looking at ways of improving their products and services therefore reserve the right to change without prior notice, any of the data shown. Any orders placed will be subject to our Standard Conditions of Sale, available on request.*