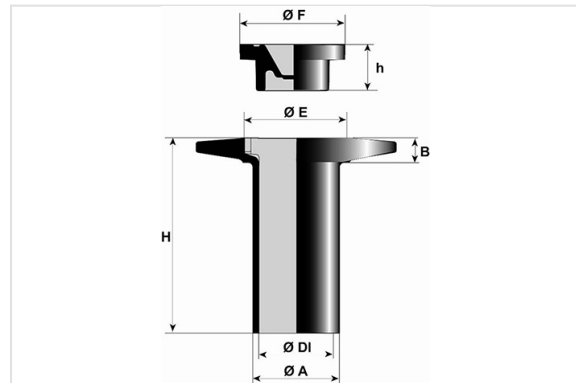


Extension for TOTALE surface box Street and Sidewalk



Type	Packaging	Mass (kg)	References
Round head chisel opening	50	3.60	FRT063U
Square head chisel opening	50	3.60	FRT063V
Hexagonal head chisel opening	50	3.60	FRT063W

Material and coating:

- Body and cover in Ductile Iron EN GJS 400-15: bituminous varnish or coating

Field of application:

- Product not subjected to standard EN 124-2.
- TOTALE surface box requiring an extension.

Origine France Garantie

- This product is made in France in our foundry in Blénod-les-Pont-A-Mousson (54), and is certified Origine France Garantie. This guarantees consumers that the product is made in France in accordance with specifications available on originefrancegarantie.fr. The certification number is: BVCert 6026906.
- *"Origine France Garantie certification is awarded by an independent certification body. Checks are then carried out every year to ensure that the product is indeed 100% made in France and that at least 50% of the product's manufacturing costs (including raw materials) are of French origin".*



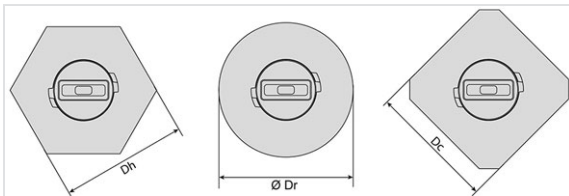
Main characteristics:

- Wide bearing surface of the head of extension getting a stable bearing on the wearing course
- [Specific design preventing the lid from being removed by street cleaning equipment](#)
- [Easy levelling during the resurfacing operations of streets, by avoiding the unsealing and/or the destabilization of TOTALE surface boxes](#)
- Unique extension being able to equip Street and Sidewalk TOTALE surface boxes
- The cover of TOTALE surface boxes aren't compatible with extensions which are delivered with their own cover

Dimensions

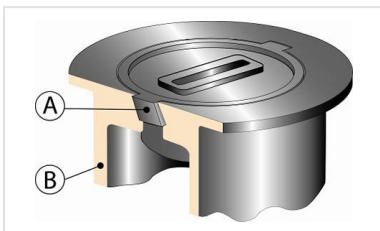
A	H	E	B	F	h	DI	Dr	Dc	Dh	Mass of cover
mm	mm	mm	mm	mm	mm	mm	mm	mm	mm	kg
74	166	87	21	84	37	63	170	160	160	0.6

Various types of heads are available for the identification of the networks. The cover is adapted for an opening with a hammer of sewerman or chisel.



Hexagonal - Round - Square

Linked products



TOTALE and PAVA surface boxes - Anti-Aspiration cover



TOTALE - Installation tip



The information on this sketch is, to the best of our knowledge correct at the time of printing. However Saint-Gobain are constantly looking at ways of improving their products and services therefore reserve the right to change without prior notice, any of the data shown. Any orders placed will be subject to our Standard Conditions of Sale, available on request.