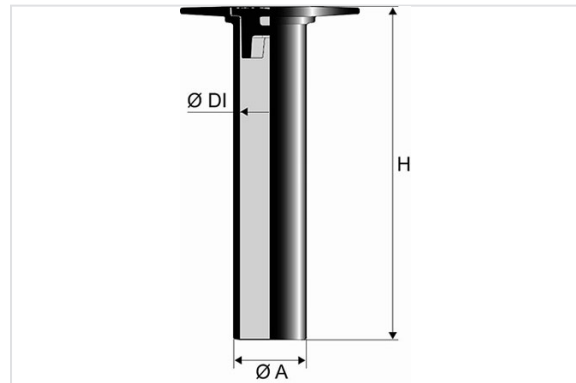


Height adjustable surface box



Type	Packaging	Mass (kg)	References
Round print hook opening	50	7.01	FRRHACT
Square print hook opening	55	7.04	FRRHBCT
Hexagonal print hook opening	50	6.81	FRRHDCT

Surface boxes with "EAU" marking on cover

Material and coating:

- Body and cover in Ductile Iron EN GJS 400-15: bituminous varnish or coating

Field of application:

- Product not subjected to standard EN 124-2.
- All zones requiring the access to a buried gate valve.

Origine France Garantie

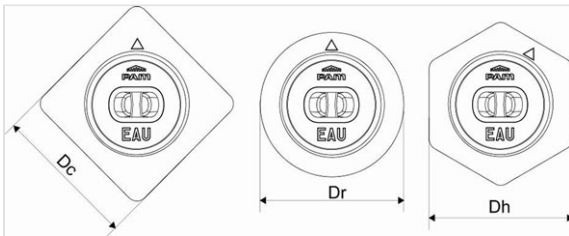
- This product is made in France in our foundry in Blénod-les-Pont-A-Mousson (54), and is certified Origine France Garantie. This guarantees consumers that the product is made in France in accordance with specifications available on originefrancegarantie.fr. The certification number is: BVCert 6026906.
- "Origine France Garantie certification is awarded by an independent certification body. Checks are then carried out every year to ensure that the product is indeed 100% made in France and that at least 50% of the product's manufacturing costs (including raw materials) are of French origin".»



Main characteristics:

- [Wide surface of head reducing the risk of subsidence under traffic](#)
- Cover with ribs conceived for an opening with a hook
- [Usable only or like extension for TOTALE MAXI surface boxes](#)

Various types of heads are available for the identification of the networks. The cover is adapted for an opening with a hook.



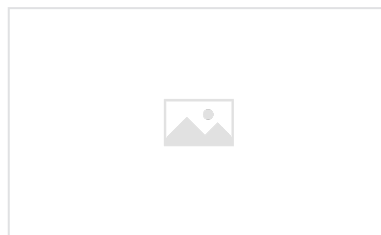
Dimensions

A	H	DI	Dr	Dc	Dh	Mass of cover
mm	mm	mm	mm	mm	mm	kg
81	370	68	200	180	180	1.2

Linked products



TOTALE - Installation tip



Hammer for surface box

The information on this sketch is, to the best of our knowledge correct at the time of printing. However Saint-Gobain are constantly looking at ways of improving their products and services therefore reserve the right to change without prior notice, any of the data shown. Any orders placed will be subject to our Standard Conditions of Sale, available on request.