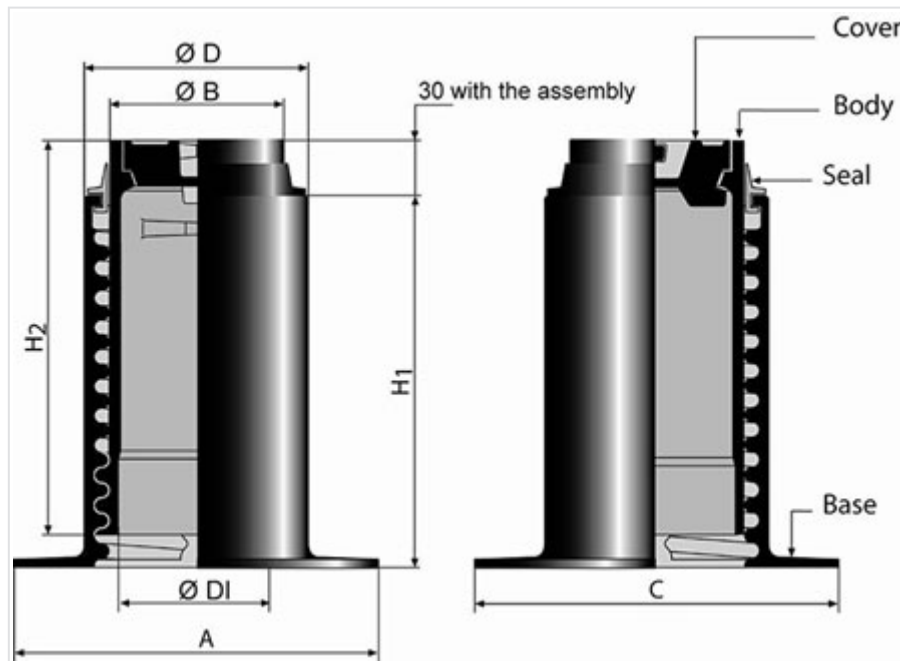


PAVA 10 Surface box



Type	H1 (mm)	H2 (mm)	ØDI (mm)	A (mm)	C (mm)	B (mm)	D (mm)	Extension (mm)	Packaging	Cover mass (kg)	Mass (kg)	References
Round print hook opening	145	170	102	240	220	114	147	105	50	0.8	7.88	F1PVAC
Square print hook opening	145	170	102	240	220	114	147	105	50	0.8	7.88	F1PVBC
Hexagonal print hook opening	145	170	102	240	220	114	147	105	50	0.8	7.88	F1PVDC

Material and coating:

- Body, base and cover in Ductile Iron EN GJS 400-15: bituminous coating
- Seal in NBR



Field of application:

- Product not subjected to standard EN 124-2.
- All zones requiring the access to a buried gate valve.

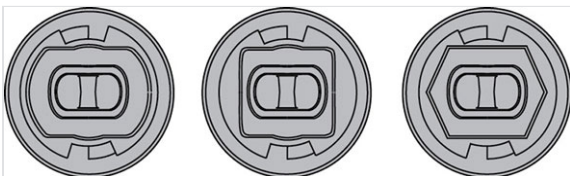
Origine France Garantie

- This product is made in France in our foundry in Blénod-les-Pont-A-Mousson (54), and is certified Origine France Garantie. This guarantees consumers that the product is made in France in accordance with specifications available on originefrancegarantie.fr. The certification number is: BVCert 6026906.
- *"Origine France Garantie certification is awarded by an independent certification body. Checks are then carried out every year to ensure that the product is indeed 100% made in France and that at least 50% of the product's manufacturing costs (including raw materials) are of French origin".»*

Main characteristics:

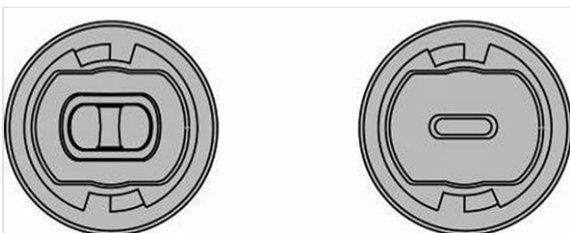
- [Surface box with built-in extension](#)
- Side bonding ribs at the base to prevent from rotation and a wide base reducing risk of subsidence under traffic
- [Self-locking system preventing the lid from being removed by street cleaning equipment](#)
- [Easy levelling during the operations of street resurfacing](#)

Type of prints available for the identification of the networks:



Round - Square - Hexagonal

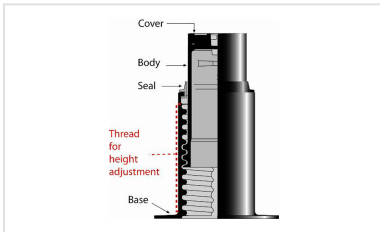
Cover adapted to various tools of opening:



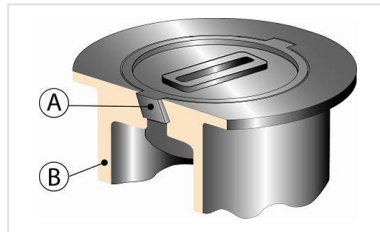
Hook - Chisel



Linked products



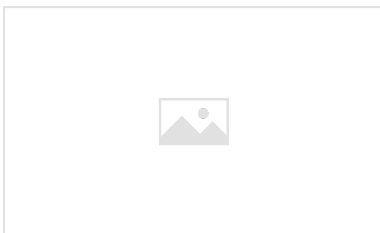
PAVA - Built-in extension capabilities



TOTALE and PAVA surface boxes - Anti-Aspiration cover



Installation - Surface box PAVA



Hammer for surface box

The information on this sketch is, to the best of our knowledge correct at the time of printing. However Saint-Gobain are constantly looking at ways of improving their products and services therefore reserve the right to change without prior notice, any of the data shown. Any orders placed will be subject to our Standard Conditions of Sale, available on request.