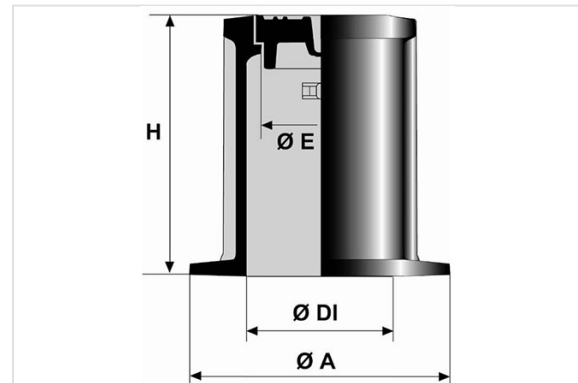


TOTALE surface box Sidewalk



Type	Packaging	Mass (kg)	References
Round head chisel opening	70	3.48	FTTOAB
Square head chisel opening	35	3.48	FTTOBB
Hexagonal head chisel opening	35	3.48	FTTODB

Surface box with « EAU » marking on cover, chainless

Material and coating:

- Body and cover in Ductile Iron EN GJS 400-15: bituminous varnish or coating

Field of application:

- Product not subjected to standard EN 124-2.
- All circulated carriageways of streets requiring the access to a buried gate valve.

Origine France Garantie

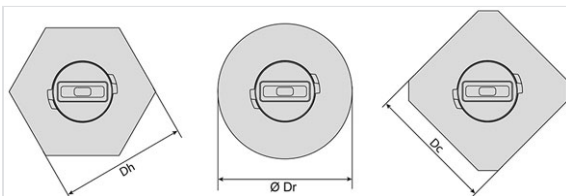
- This product is made in France in our foundry in Blénod-les-Pont-A-Mousson (54), and is certified Origine France Garantie. This guarantees consumers that the product is made in France in accordance with specifications available on originefrancegarantie.fr. The certification number is: BVCert 6026906.
- "Origine France Garantie certification is awarded by an independent certification body. Checks are then carried out every year to ensure that the product is indeed 100% made in France and that at least 50% of the product's manufacturing costs (including raw materials) are of French origin".»



Main characteristics:

- [Wide bearing surface facilitating the bedding and reducing the risk of subsidence under traffic](#)
- [Specific design preventing the lid from being removed by street cleaning equipment](#)
- [Easy levelling during the resurfacing operations of streets thanks to the use of a specific extension](#)
- Optional chain making the cover integral with the body

Various types of heads are available for the identification of the networks. The cover is adapted for an opening with a hammer of sewerman or chisel.



Hexagonal - Round - Square



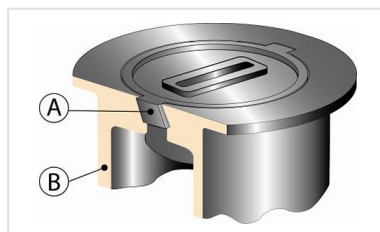
Dimensions

A	H	E	DI	Dr	Dc	Dh	Mass of cover
mm	mm	mm	mm	mm	mm	mm	kg
150	160	77	102	120	112	112	0.783

Linked products



TOTALE - Installation tip



TOTALE and PAVA surface boxes - Anti-Aspiration cover



Extension for TOTALE surface box Street and Sidewalk



Hammer for surface box

The information on this sketch is, to the best of our knowledge correct at the time of printing. However Saint-Gobain are constantly looking at ways of improving their products and services therefore reserve the right to change without prior notice, any of the data shown. Any orders placed will be subject to our Standard Conditions of Sale, available on request.