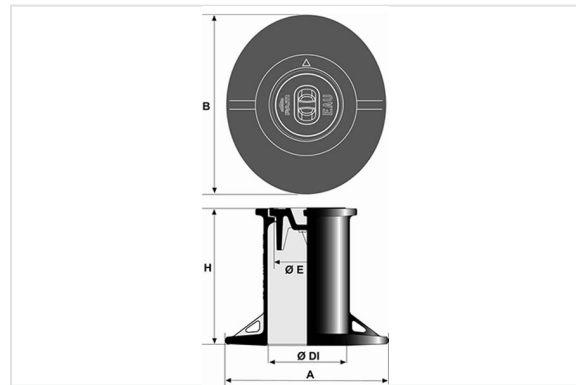


TOTALE MAXI surface box



Type	Packaging	Mass (kg)	References
TOTALE MAXI square / head hook opening	40	6.54	FRXBBCT

Surface box with "EAU" marking on cover.

Material and coating:

- Body and cover in Ductile Iron EN GJS 400-15: bituminous varnish or coating

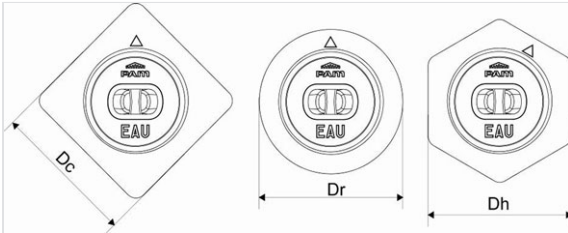
Field of application:

- Product not subjected to standard EN 124-2.
- All circulated carriageways of streets requiring the access to a buried gate valve.

Main characteristics:

- [Wide bearing surface facilitating the bedding and reducing the risk of subsidence under traffic](#)
- Cover with ribs conceived for an opening with a hook
- Landmark on the head enabling to situate the connection
- [Easy levelling during the resurfacing operations of streets thanks to the use of a specific extension](#)

Various types of heads are available for the identification of the networks. The cover is adapted for an opening with a hook.



A	B	H	E	DI	Dr	Dc	Dh	Mass of cover
mm	mm	mm	mm	mm	mm	mm	mm	kg
220	250	180	84	102	140	140	140	1.0

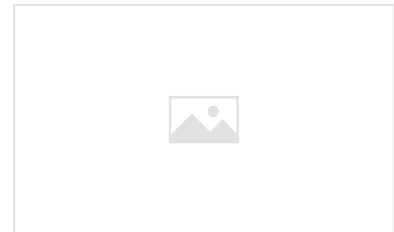
Linked products



TOTALE - Installation tip



Height adjustable surface box



Hammer for surface box

The information on this sketch is, to the best of our knowledge correct at the time of printing. However Saint-Gobain are constantly looking at ways of improving their products and services therefore reserve the right to change without prior notice, any of the data shown. Any orders placed will be subject to our Standard Conditions of Sale, available on request.