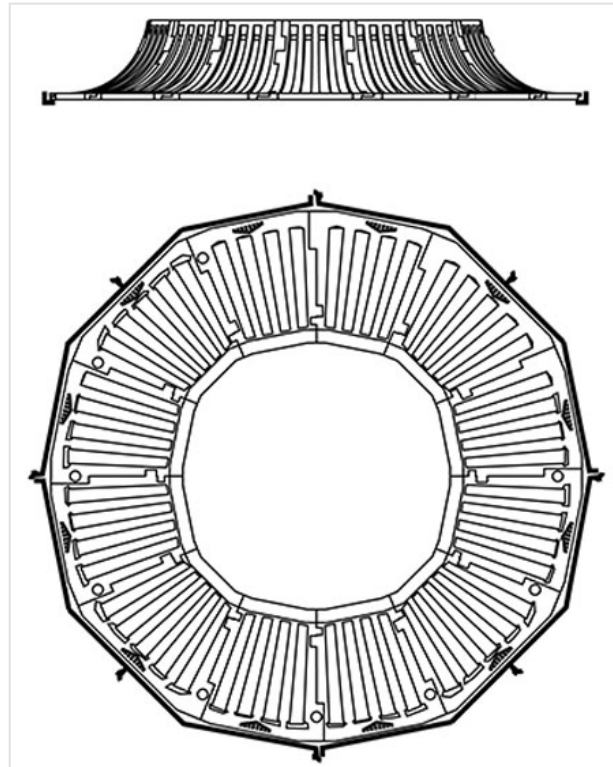


“SANTORIN” Tree Grates in ductile iron



Type	Number of elements	A	Internal diameter	Thickness	Surface of ventilation	Mass	References
Grate	4	1450 mm	740 mm	20 mm		72.00 kg	EASA14
Frame	4			20 mm		5.60 kg	EOSA14C

Field of application:

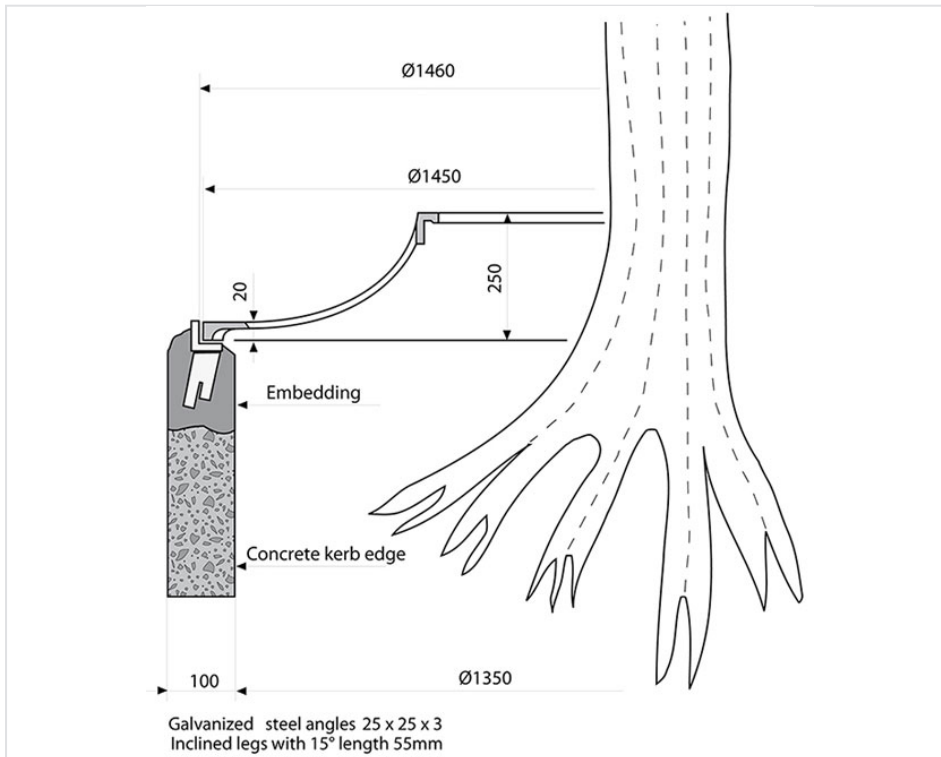
- Protection of trees from vandalism and damage by vehicles.

Key performance factors:

- Aesthetic design and durable coating: powdering epoxy
- Grate made with assembled elements by bolting
- A large enough area for the absorption of water and to allow trees to develop
- The grates can be fitted on a galvanized steel angle fitting/frame.

- Height=250mm

Installation



Seal the $\frac{1}{4}$ frame assembled with the $\frac{1}{4}$ of gratings.

The information on this sketch is, to the best of our knowledge correct at the time of printing. However Saint-Gobain are constantly looking at ways of improving their products and services therefore reserve the right to change without prior notice, any of the data shown. Any orders placed will be subject to our Standard Conditions of Sale, available on request.