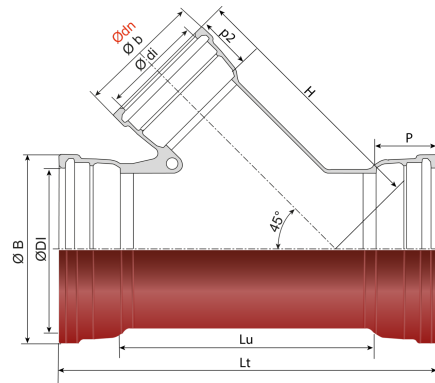


45° Angle Branch (all socket) DN150-300 + Standard G Gasket (STD G)



DN (mm)	ØDI (mm)	P (mm)	Lt (mm)	Lu (mm)	ØB (mm)	Ødn (mm)	Ødi mini (mm)	p2 (mm)	H (mm)	Øb (mm)	Mass (kg)	References
150	171.5	100.5	556	355	215.5	150	171.5	100.5	393	215.5	27.10	TJB15TBOJS
200	223.5	106.5	570	357	269.3	150	171.5	100.5	429	215.5	33.80	TJB20TBOJS
250	275	105.5	650	439	310.6	150	171.5	100.5	433	215.5	44.10	TJB25TBOJS
250	275	105.5	650	439	310.6	200	223.5	106.5	485	269.3	49.20	TJB25TBOKS
300	327	107.5	664	454	380.1	150	171.5	100.5	483	215.5	55.10	TJB30TBOJS

Field of use:

- Separate sewer system
- Application: gravity flow
- Type of effluent: wastewater
- Lastingly leak tight and impermeable
- Laying in all types of soils
- For effluents between pH1 and pH13

Main characteristics:

- External and internal coating: red epoxy powder 250µm (PECR)
- STANDARD G Gasket (STD G) in Nitrile
- Fittings and joints are supplied in red-brown polyethylene bag
- EN 598 / CE Marking
- Declaration of performances [DoP-BIOGAN002EN](#)
- Designed according to the regulatory texts:
 - NF EN 476: general prescriptions for components used in the networks

- NF EN 752: Conception of sewage projects
- NF EN 1610: Reception of the works
- CCTG: Fascicule 70 (sewage work)

Linked products



Standard G Gasket (STD G) for BIOGAN pipes and fittings DN150-200

The information on this sketch is, to the best of our knowledge correct at the time of printing. However Saint-Gobain are constantly looking at ways of improving their products and services therefore reserve the right to change without prior notice, any of the data shown. Any orders placed will be subject to our Standard Conditions of Sale, available on request.