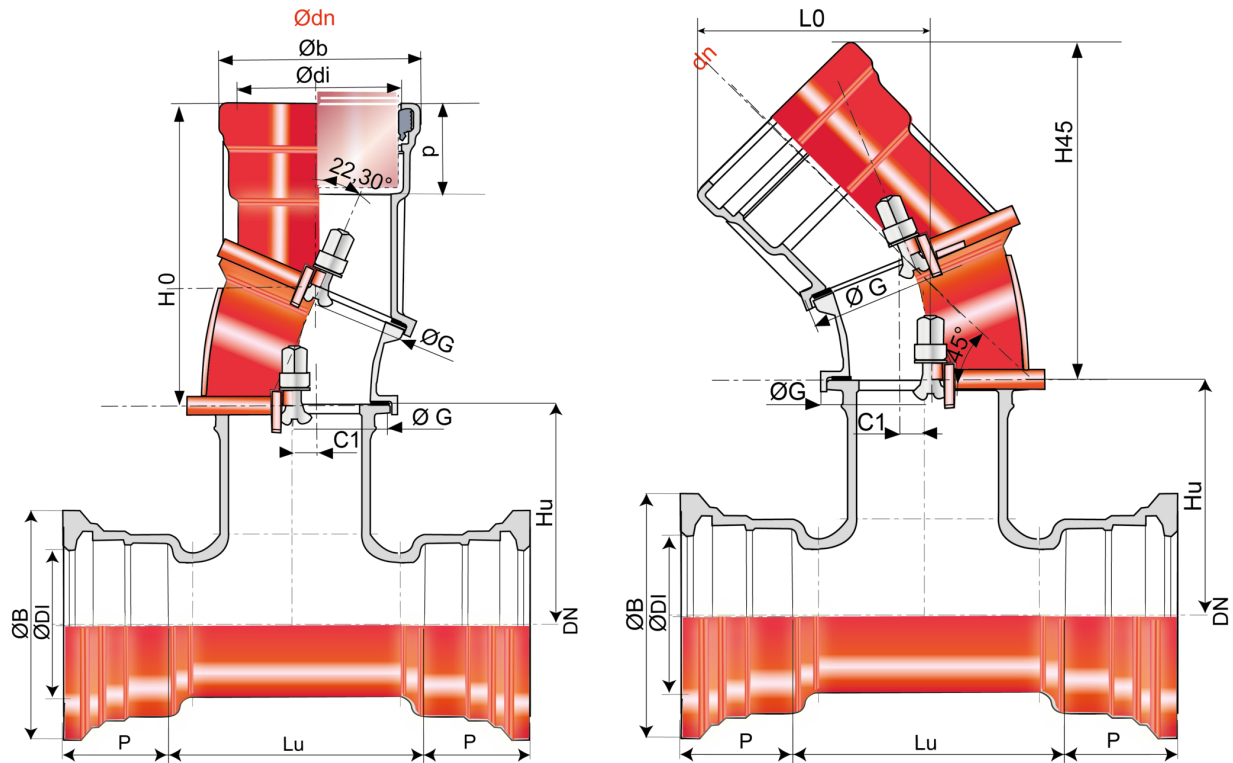


Ductile iron Connection Rotatable Gravity for ductile iron



For ductile iron connection.

DN connector	Lu (mm)	Hu (mm)	ØB (mm)	P (mm)	C1 (mm)	ØG (mm)	L0 (mm)	Ødn (mm)	Ødi mini (mm)	Øb (mm)	H0 (mm)	H45 (mm)	p (mm)	Mass (kg)	References
200	357	181	269	106.5	24	256	240	150	171.5	215	333	351	100.5	39.70	TJB20TROJS
200	357	181	269	106.5	24	256	280	200	223.5	269	351	380	106.5	42.90	TJB20TROKS
250	439	206	323	105.5	24	256	240	150	171.5	215	333	351	100.5	50.80	TJB25TROJS
250	439	206	323	105.5	24	256	280	200	223.5	269	351	380	106.5	54.10	TJB25TROKS
300	449	232	380	107.5	24	256	240	150	171.5	215	333	351	100.5	61.30	TJB30TROJS
300	449	232	380	107.5	24	256	280	200	223.5	269	351	380	106.5	64.50	TJB30TROKS

Field of use:

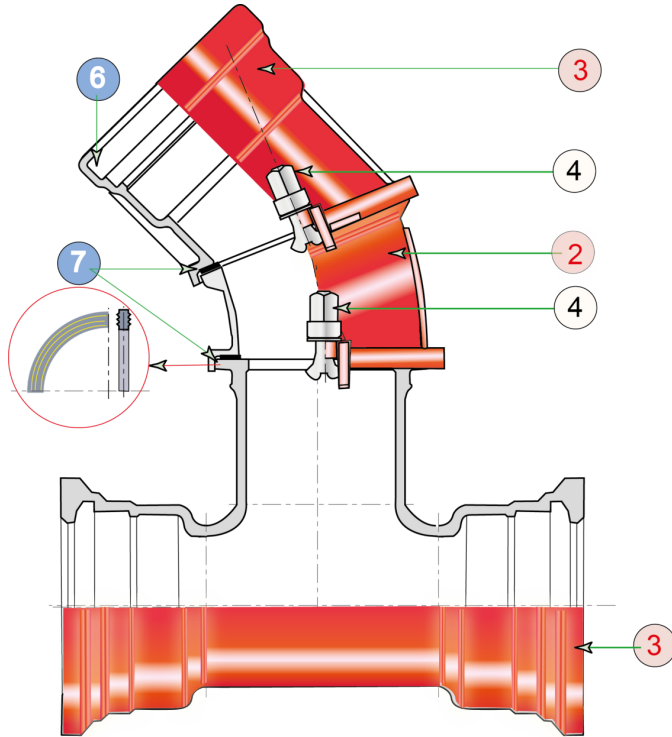
- Separate sewer system
- Application: gravity flow
- Type of effluent: wastewater
- Lastingly leak tight and impermeable
- Laying in all types of soils
- For effluents between pH1 and pH13

Main characteristics:

- External and internal coating: red epoxy powder 250µm (PECR)
- STANDARD G Gasket (STD G) in Nitrile
- Fittings and joints are supplied in red-brown polyethylene bag
- EN 598 / CE Marking
- Declaration of performances [DoP-BIOGAN002EN](#)
- Designed according to the regulatory texts:
 - NF EN 476: general prescriptions for components used in the networks
 - NF EN 752: Conception of sewage projects
 - NF EN 1610: Reception of the works
 - CCTG: Fascicule 70 (sewage work)



Material and coatings



Item	Designation	Material	Coating	Packing
1	Body	Ductile iron GS	Outside - inside: 250µ Epoxy powder red-brown RAL 3009	Supplied in red-brown polyethylene bag
2	Bend	Ductile iron GS	Outside - inside: 250µ Epoxy powder red-brown RAL 3009	
3	Branch	Ductile iron GS	Outside - inside: 250µ Epoxy powder red-brown RAL 3009	
4	Bolt D2L	Ductile iron GS	Zinc coated	
6	Joint STD G	Nitrile rubber		
7	Flanged joint	Nitrile rubber		

Linked products



Standard G Gasket (STD G) for BIOGAN pipes and fittings DN150-200

The information on this sketch is, to the best of our knowledge correct at the time of printing. However Saint-Gobain are constantly looking at ways of improving their products and services therefore reserve the right to change without prior notice, any of the data shown. Any orders placed will be subject to our Standard Conditions of Sale, available on request.