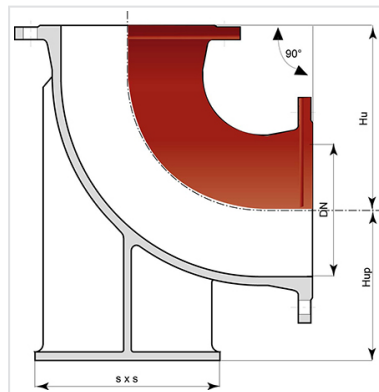


Duckfoot Bend 90° (1/4) INTEGRAL with 2 Fixed Flanges



Angle	DN (mm)	Hu (mm)	Hup (mm)	PN 10		PN 16		PN 25	
				Mass (kg)	References	Mass (kg)	References	Mass (kg)	References
90°	80	165	110	14.00	BBA80CF10FF	14.00	BBA80CF10FF	14.00	BBA80CF10FF
90°	100	180	125	17.70	BBB10CF10FF	17.70	BBB10CF10FF		
90°	200	260	190			47.00	BBB20CF20FF		
90°	250	350	225			76.00	BBB25CF20FF		
90°	300	400	255			108.00	BBB30CF20FF		
90°	350	450	294			165.00	BBB35CF20FF		
90°	400	500	324			218.00	BBB40CF20FF		
90°	450	550	355			289.00	BBB45CF20FF		
90°	500	600	389			373.00	BBB50CF20FF		
90°	600	700	455			569.00	BBB60CF20FF		
90°	700	800	520	730.00	BBB70CF10FF	746.00	BBB70CF20FF		
90°	800	900	590	1026.00	BBB80CF10FF	1003.00	BBB80CF20FF		
90°	900	1000	645			1751.00	BBB90CF20FF		
90°	1000	1100	710	2365.00	BBC10CF10FF	2303.00	BBC10CF20FF		

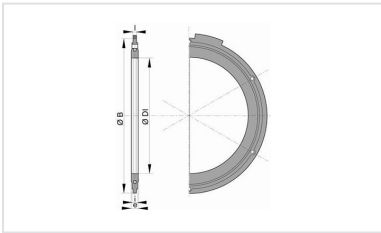
Field of use:

- Separate sewer system and combined sewer system
- Application: gravity flow and rising main sewerage systems
- Type of effluent: domestic wastewater and rainwater
- For networks with rising main under pressure
- For effluents between pH1 and pH13

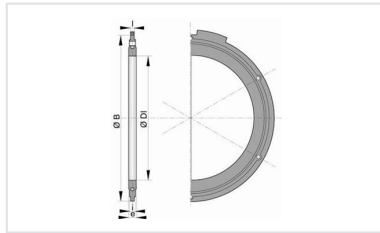
Main characteristics:

- External and internal coating: red epoxy powder 250µm (PECR)
- EN 598 / CE Marking
- Declaration of performances [DoP-INTEGRAL005EN](#)
- Designed according to the regulatory texts:
 - NF EN 476: general prescriptions for components used in the networks
 - NF EN 752: Conception of sewage projects
 - NF EN 1610: Reception of the works
 - CCTG: Fascicule 70 (sewage work)

Linked products



Flanged joint with hot galvanized steel bolts, nuts and washers for sewage



Flanged joint with hot galvanized steel bolts, nuts and washers

The information on this sketch is, to the best of our knowledge correct at the time of printing. However Saint-Gobain are constantly looking at ways of improving their products and services therefore reserve the right to change without prior notice, any of the data shown. Any orders placed will be subject to our Standard Conditions of Sale, available on request.