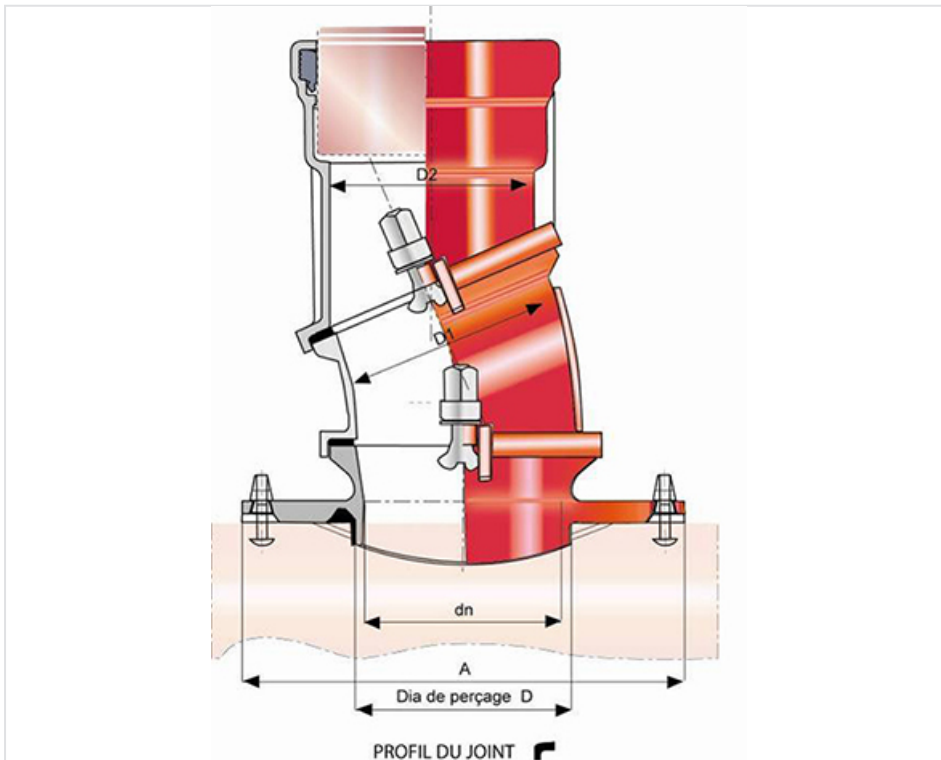


## Ductile iron Swivel Saddle 90° Gravitary to circular cutting on Iron pipe



DN connector	DN saddle branch	A (mm)	D (mm)	Mass (kg)	References
250 + 300 mm	125 mm	338	172.5 ± 1	18.38	TJB25AR0G
250 + 300 mm	150 mm	338	172.5 ± 1	21.40	TJB25AR0J
350 → 600 mm	125 mm	338	172.5 ± 1	19.00	TJB40AR0G
350 → 600 mm	150 mm	338	172.5 ± 1	20.60	TJB40AR0J
400 mm	200 mm	395	232.5 ± 1	27.00	TJB40AR0K
700 → 1200 mm	150 mm	338	172.5 ± 1	19.90	TJB70AR0J
700 → 800 mm	200 mm	395	232.5 ± 1	25.60	TJB70AR0K

Supplied with bolts set and laying instructions



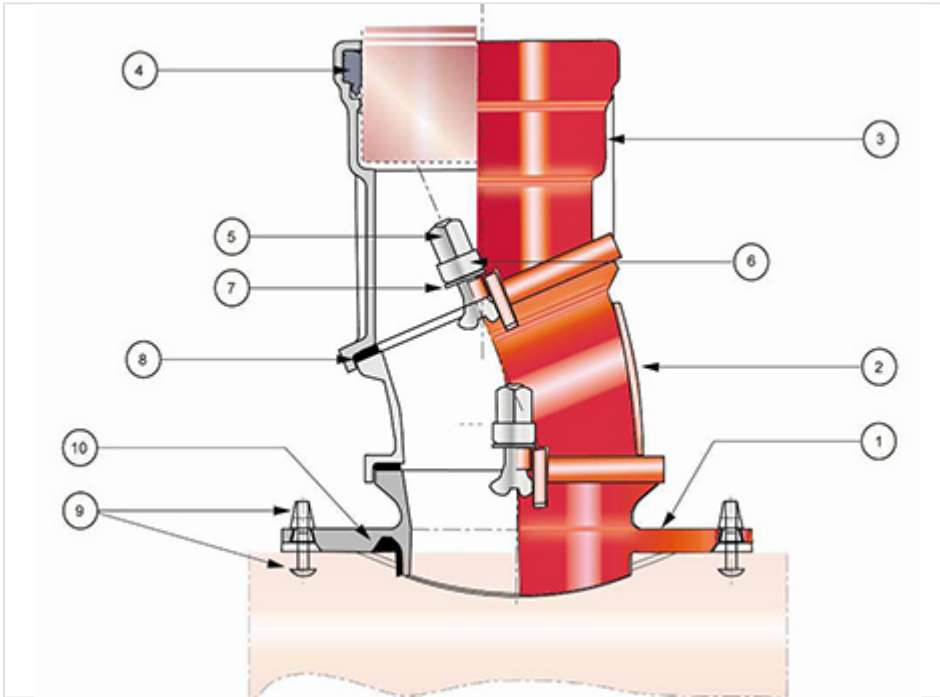
### Field of use:

- Separate sewer system and combined sewer system
- Application: gravity flow
- Type of effluent: domestic wastewater and rainwater
- Lastingly leak tight and impermeable
- For effluents between pH1 and pH13

### Main characteristics:

- External and internal coating: red epoxy powder 250µm (PECR)
- EN 598 / CE Marking
- Declaration of performances [DoP-INTEGRAL005EN](#)
- Mark NF
- Designed according to the regulatory texts:
  - NF EN 476: general prescriptions for components used in the networks
  - NF EN 752: Conception of sewage projects
  - NF EN 1610: Reception of the works
  - CCTG: Fascicule 70 (sewage work)

**Material and coating:**



Item	Designation	Material	Coating
1	Saddle	Ductile Iron	Red-brown Epoxy powder
2	Bend	Ductile Iron	Red-brown Epoxy powder
3	Branch	Ductile Iron	Red-brown Epoxy powder
4	IM gasket	Nitrile	
5	Bolt	Ductile Iron	Dacromet
6	Nut	Ductile Iron	Dacromet
7	Washer	Zinc coated steel	
8	Gasket	Nitrile	
9	Bolt Set		
10	Gasket	Nitrile	

*The information on this sketch is, to the best of our knowledge correct at the time of printing. However Saint-Gobain are constantly looking at ways of improving their products and services therefore reserve the right to change without prior notice, any of the data shown. Any orders placed will be subject to our Standard Conditions of Sale, available on request.*