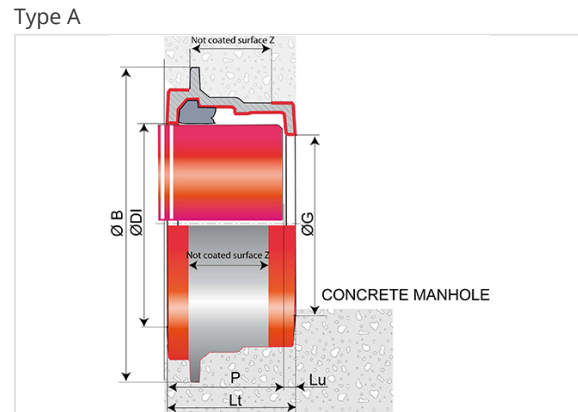
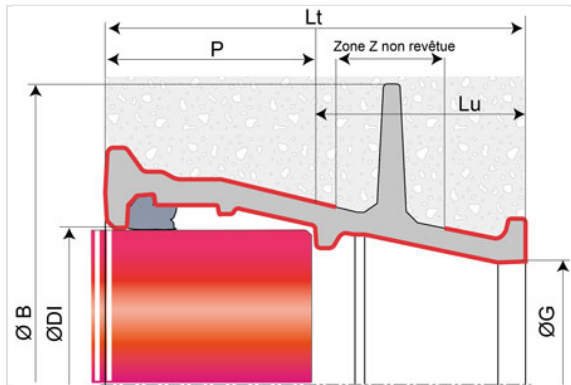


Manhole collar with Standard Joint DN150-2000 (for connection to concrete manhole)



DN (mm)	Type	ØDI (mm)	P (mm)	Lu (mm)	Lt (mm)	ØB (mm)	ØG (mm)	Z (mm)	Mass (kg)	References
150	A	173	90	10	100	256	154	65	5.01	TSB15MS
200	A	225	90	10	100	309	204	64.5	6.43	TSB20MS
250	A	277	100	10	110	362	255	74	8.66	TSB25MS
300	A	329	100	10	110	417	306	74	10.39	TSB30MS
350	A	381	100	10	110	473	356	74	13.10	TSB35MS
400	A	432	100	10	110	525	406	74	14.73	TSB40MS
450	A	481	102	10	112	579	465	62	25.00	TSB45MS
500	A	533	100	10	110	632	515	64	21.44	TSB50MS
600	A	636	110	10	120	738	615	66	26.70	TSB60MS
700	A	739.5	150	10	160	845	720	105	37.08	TSB70MS
800	A	843.5	150	10	160	950	820	106	53.00	TSB80MS
900	A	946.5	165	10	175	1055	925	118	63.21	TSB90MS
1000	A	1049.5	175	10	185	1160	1025	130	73.51	TSC10MS
1200	B	1256.6	195	220	415	1530	1200	150	421.00	TSC12MS
1400	A	1463.6	255	25	280	1755	1411	150	385.00	TSC14MS
1500	B	1570	280	75	355	1900	1477	150	568.00	TSC15MS
1600	A	1669.6	275	25	300	1975	1613	150	477.00	TSC16MS
1800	A	1876.6	258	62	320	2195	1827	150	612.00	TSC18MS
2000	A	2083.6	290	50	340	2425	2030	150	980.00	TSC20MS



Field of use:

- Separate sewer system and combined sewer system
- Application: gravity flow
- Type of effluent: domestic wastewater and rainwater
- Lastingly leak tight and impermeable
- For effluents between pH1 and pH13

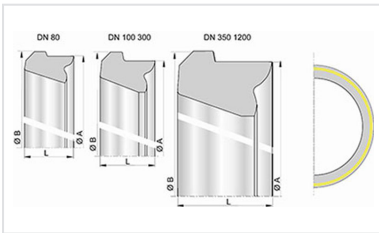
Main characteristics:

- External and internal coating: red epoxy powder 250µm (PECR)
- EN 598 / CE Marking
- Declaration of performances [DoP-INTEGRAL005EN](#)
- Mark NF
- Designed according to the regulatory texts:
 - NF EN 476: general prescriptions for components used in the networks
 - NF EN 752: Conception of sewage projects
 - NF EN 1610: Reception of the works
 - CCTG: Fascicule 70 (sewage work)
- External surface not coated for a better adhesion Ductile Iron-Concrete

Material and coating:

Designation	Material	Coatings	Packing
Body	Ductile Iron	Outside (except anchoring part in contact with the concrete: not coated) + Inside: 250µ Epoxy powder red-brown RAL 3009	Supplied in red-brown polyethylene bag
Standard Joint	Nitrile Rubber		

Linked products



Nitrile STD Gasket
DN80-2000

The information on this sketch is, to the best of our knowledge correct at the time of printing. However Saint-Gobain are constantly looking at ways of improving their products and services therefore reserve the right to change without prior notice, any of the data shown. Any orders placed will be subject to our Standard Conditions of Sale, available on request.