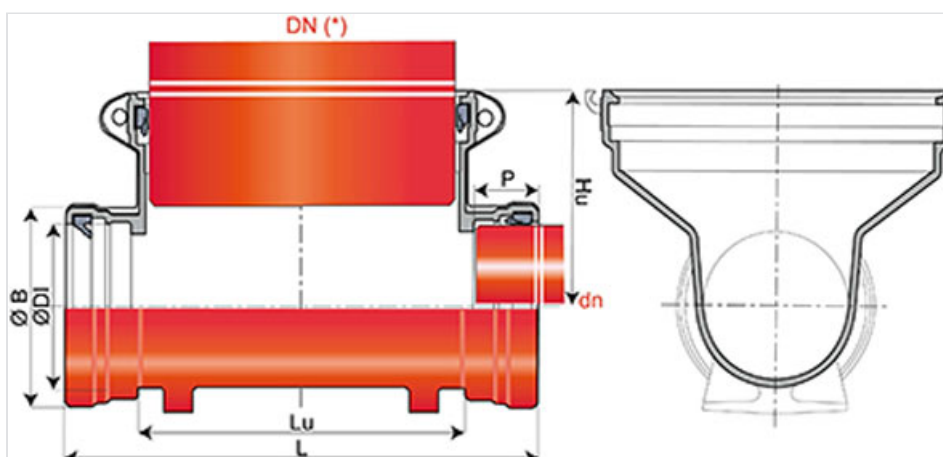


Cleaning Tee with IM Joint



(* Use INTEGRAL pipe or other material with DE 425,8 mini and 432,8 maxi

DN (mm)	Ødn (mm)	Lu (mm)	L (mm)	ØDI (mm)	ØB (mm)	P (mm)	Hu (mm)	Masse (kg)	References
400	150	514	694	175	219	90	289	63	TJB15PD0J-E00
400	200	475	655	226	273	90	289	67	TJB20PD0K-E00
400	250	521	721	283.5	317	100	283	75	TJB25PD0L-E00
400	300	455	675	337.5	386	110	283	80	TJB30PD0M-E00



Main characteristics:

- External and internal coating: red epoxy powder 250µm (PECR)
- EN 598 / CE Marking
- Declaration of performances [DoP-INTEGRAL005EN](#)
- Mark NF
- Designed according to the regulatory texts:
 - NF EN 476: general prescriptions for components used in the networks
 - NF EN 752: Conception of sewage projects
 - NF EN 1610: Reception of the works
 - CCTG: Fascicule 70 (sewage work)

- IM joints included

Field of use:

- For equipment only, this tee is mounted on gravity main and is used to insert cleaning and inspection equipment.
- Waste water

Linked products



IM Seal for gravity fittings

The information on this sketch is, to the best of our knowledge correct at the time of printing. However Saint-Gobain are constantly looking at ways of improving their products and services therefore reserve the right to change without prior notice, any of the data shown. Any orders placed will be subject to our Standard Conditions of Sale, available on request.