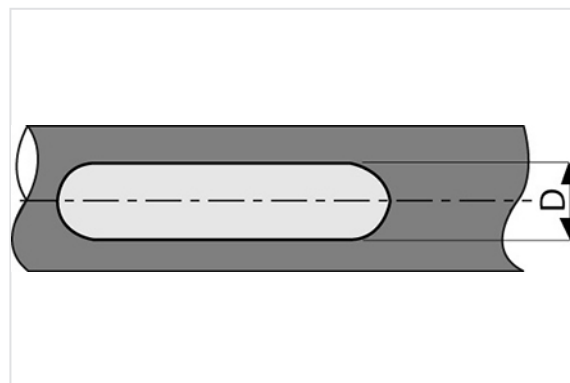
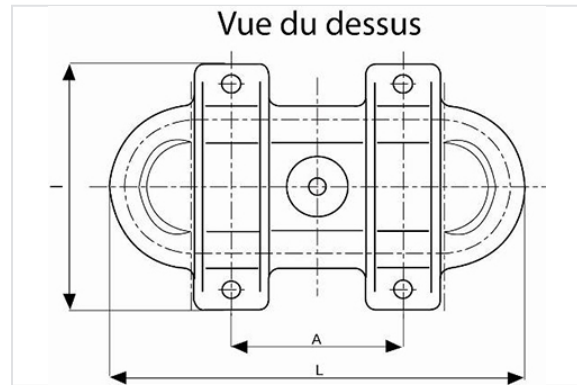
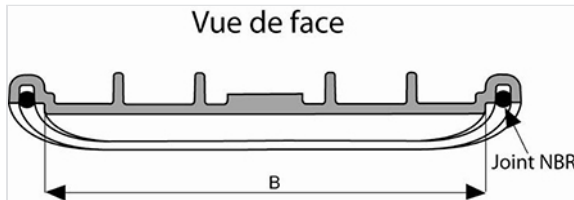


Access Trap



DN (mm)	L (mm)	I (mm)	A (mm)	B (mm)	C (mm)	D (mm)	outside Ø of joint (mm)	Mass (kg)	References
150	411	244	170	354	244	107	307.5	7.50	TXB15PA
200	446	280	170	392	280	142	344	9.20	TXB20PA
250	700	350	350	610	350	172	522	17.00	TXB25PA
300	740	400	350	650	400	212	561	20.00	TXB30PA
400	740	400	350	650	400	212	556	18.00	TXB40PA
500	740	400	350	650	400	212	556	17.80	TXB50PA
600	722	520	350	626	520	290	570	28.50	TXB60PA
700	722	520	350	626	520	290	570	29.50	TXB70PA

D = milling-cutter diameter



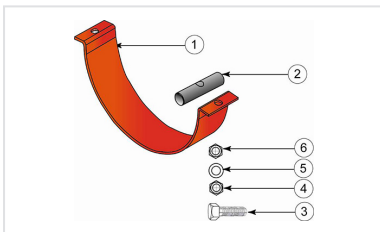
Main characteristics:

- External and internal coating: red epoxy powder 250µm (PECR)
- EN 598 / CE Marking
- Declaration of performances
- Straps in steel (zinc coated)
- Lastingly leak tight and impermeable

Field of use:

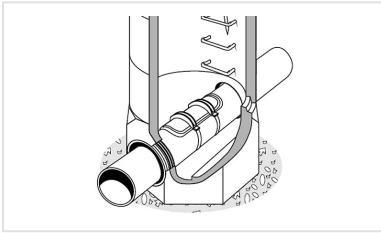
- Ductile iron device providing access to the pipe, ensures perfect leaktightness and also allows cleaning and inspection equipment to be inserted into the pipe
- Waste waters

Accessories



Fixing Stirrup for Saddle branch

Linked products



Laying recommendation for Access Trap

The information on this sketch is, to the best of our knowledge correct at the time of printing. However Saint-Gobain are constantly looking at ways of improving their products and services therefore reserve the right to change without prior notice, any of the data shown. Any orders placed will be subject to our Standard Conditions of Sale, available on request.