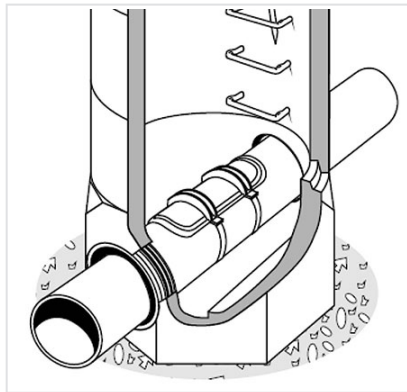
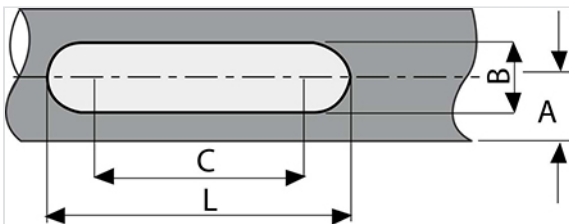


Laying recommendation for Access Trap

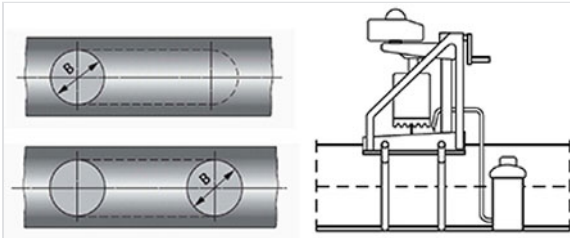


The access trap offers simple, economic and powerful solution for the inspection of the pipes. Tight under 2 bars internal/external, it belongs To the INTEGRAL system and adapts to the manhole.



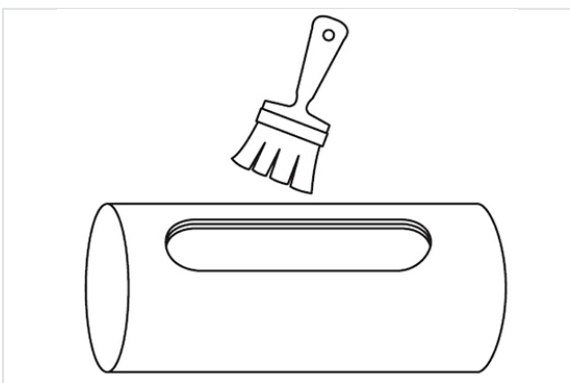
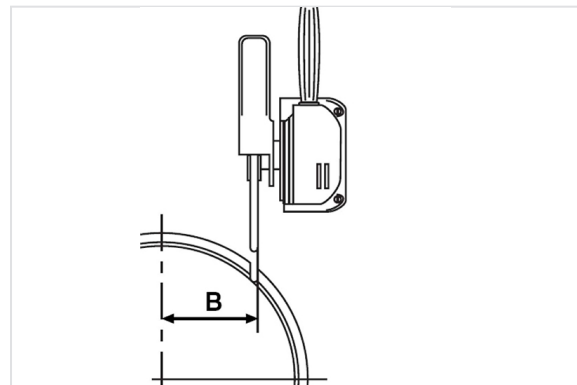
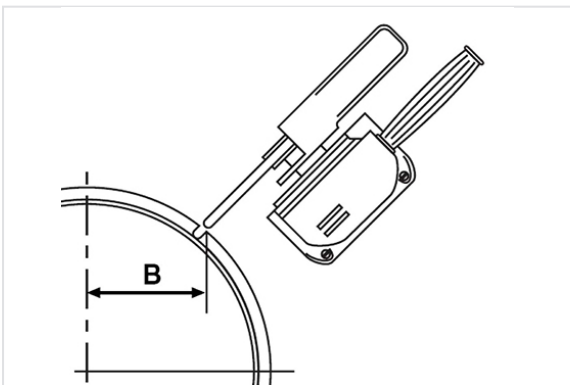
1- Trace a generator line L, control its alignment with a rule (pay attention to the parallelism with the external generators)

DN mm	A mm	B mm	C mm	L ± 2 mm
150	80	107±1	250	359
200	111	142±1	252	394
250	137	172±1	450	622
300	163	212±2	450	662
400	214	212±2	450	662
500	266	212±2	450	662
600	317	290±2	350	640
700	369	290±2	360	640



2- Core the 2 ends with a milling-cutter specific to ductile iron of diameter B depending on the diameter of the collector (easy way : respect the alignment of the 2 cores & lubricate with water)

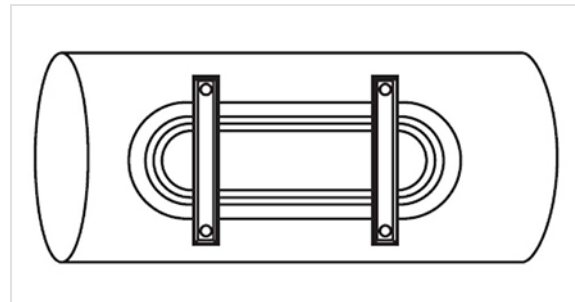
3- Cut out with the cutting machine the 2 generators of the opening in the barrel of the pipe.



a) Cut in a radial way the ductile iron up to the internal cement lining (in order to avoid the skid of the disc)

b) Finish the cut with the disc in vertical position in order to obtain sides parallel with the axis of opening of the access trap

c) Clean carefully the circumference of the opening



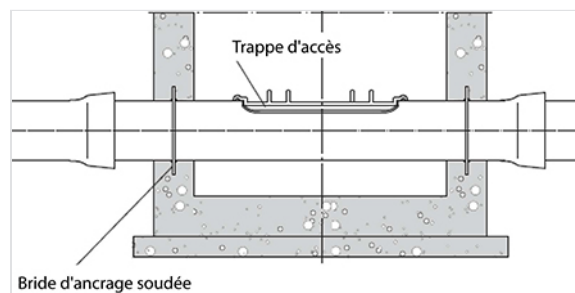
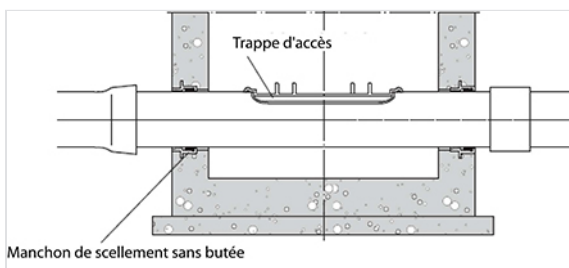
4- Repair the coating with a brush and an epoxy paint with fast drying

- a) Place the trap in the cut without the seal and mark the perimeter

5- Check the good positioning of the joint and fix the trap with 2 clamps

- a) Tighten gradually and alternatively the 4 bolts to obtain a perfect contact with the barrel of the pipe
- b) Put plastic plugs on the heads of the bolts

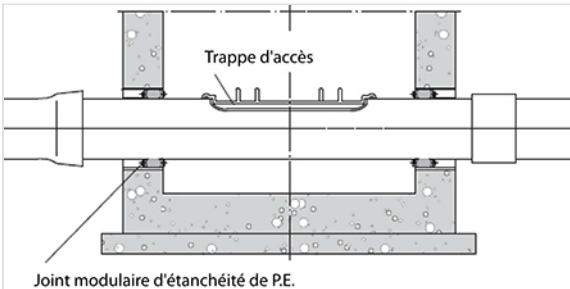
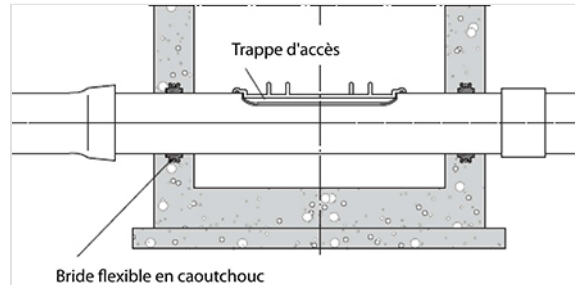
Field of application



These access traps are used in protected areas (reserves) or in drinking water recovery areas. How to install them ? There are several possibilities to install pipes with access traps in the chimneys:

1- Prefabricated chimney : chimney with connection coupling without block stops

2- Prefabricated chimney: pipe with welded puddle flange. This version makes it possible to run the pipe in the chimney before the installation



3- Chimney fabricated on site: the system of connection Frank or Kröner makes it possible to run the pipe on site. The sealing will be ensured by a flexible system of rubber flange fixed by clamps

4- Chimney fabricated on site with a gauge to keep space enough for assembling the pipes after the installation of the manhole: realizable with a system of modular sealing joint type LINK-SEAL

The information on this sketch is, to the best of our knowledge correct at the time of printing. However Saint-Gobain are constantly looking at ways of improving their products and services therefore reserve the right to change without prior notice, any of the data shown. Any orders placed will be subject to our Standard Conditions of Sale, available on request.