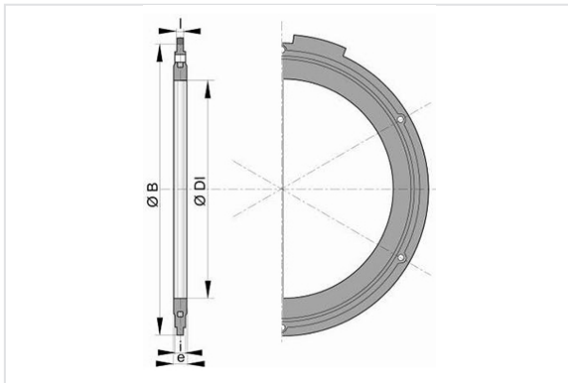
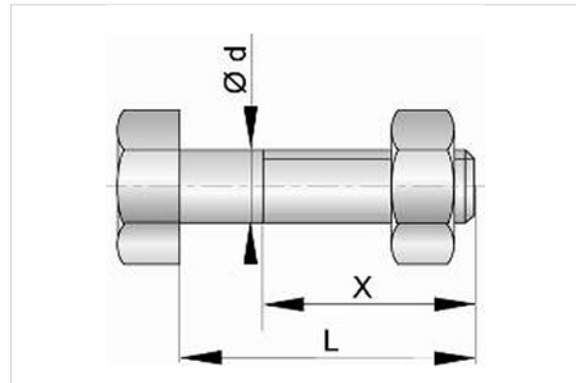


Flanged joint with hot galvanized steel bolts, nuts and washers for sewage

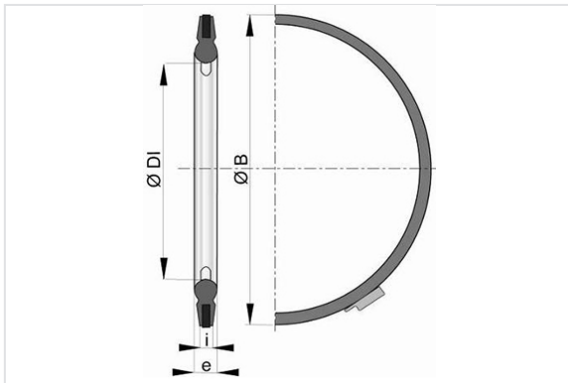
Gasket DN50-300 NBR



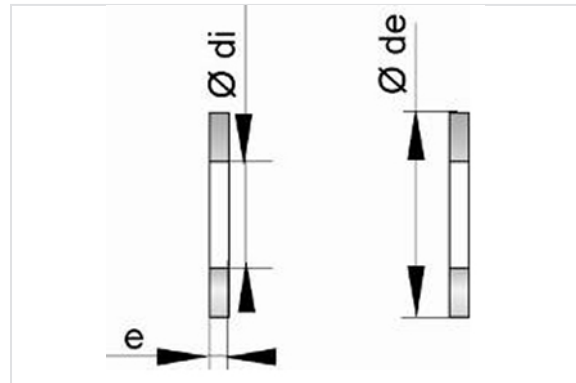
Bolt



Gasket with metallic inserts DN350-2000 EPDM



Washer

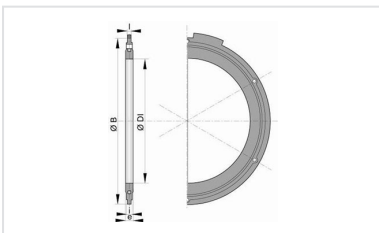


The flanged joint assembly has a gasket with metallic inserts, hot galvanised steel bolts (thickness mini 70 microns), nuts and washers.

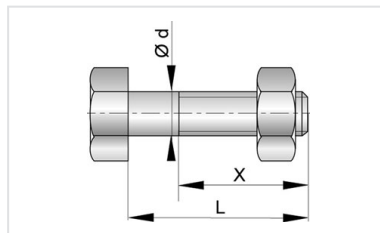
	PN 10	PN 16
DN	References	References
50 mm	JBA50GW1-E06	JBA50GW1-E06
80 mm	JBA80GW1-E06	JBA80GW1-E06
100 mm	JBB10GW1-E06	JBB10GW1-E06
125 mm	JBB12GW1-E06	JBB12GW1-E06
150 mm	JBB15GW1-E06	JBB15GW1-E06
200 mm	JBB20GW1-E06	JBB20GW1-E07

DN	PN 10 References	PN 16 References
250 mm	JBB25GW1-E06	JBB25GW1-E07
300 mm	JBB30GW1-E06	JBB30GW1-E07

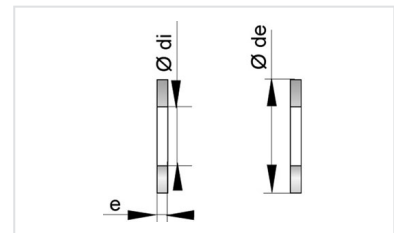
Linked products



Flanged Gasket DN50-2000



Hot Galvanized Steel Bolt
for Flanged Joint



Galvanised Steel Washers
for Bolts

The information on this sketch is, to the best of our knowledge correct at the time of printing. However Saint-Gobain are constantly looking at ways of improving their products and services therefore reserve the right to change without prior notice, any of the data shown. Any orders placed will be subject to our Standard Conditions of Sale, available on request.