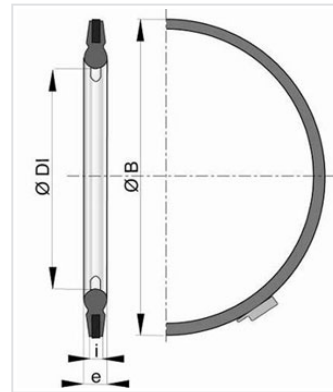
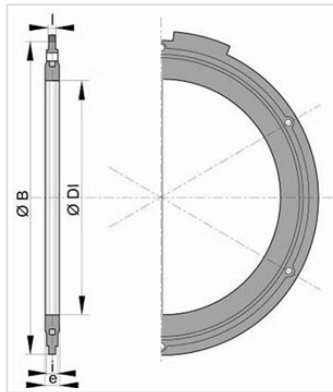


## Flanged Gasket DN50-2000



DN (mm)	ØB (mm)	ØDI (mm)	i (mm)	e (mm)	Mass (kg)	References
50	109	65	8	10	0.09	JBA50GW1
80	144	95	8	10	0.13	JBA80GW1
100	165	115	8	10	0.14	JBB10GW1
125	195	145	8	10	0.18	JBB12GW1
150	221	171	8	10	0.20	JBB15GW1
200	276	226	8	10	0.26	JBB20GW1
250	331	278	8	10	0.32	JBB25GW1
300	380	324	8	10	0.39	JBB30GW1

*The information on this sketch is, to the best of our knowledge correct at the time of printing. However Saint-Gobain are constantly looking at ways of improving their products and services therefore reserve the right to change without prior notice, any of the data shown. Any orders placed will be subject to our Standard Conditions of Sale, available on request.*