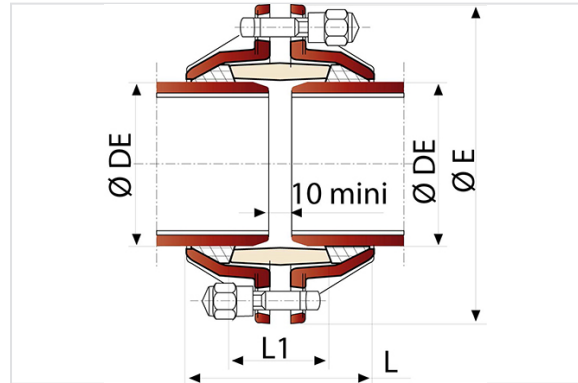
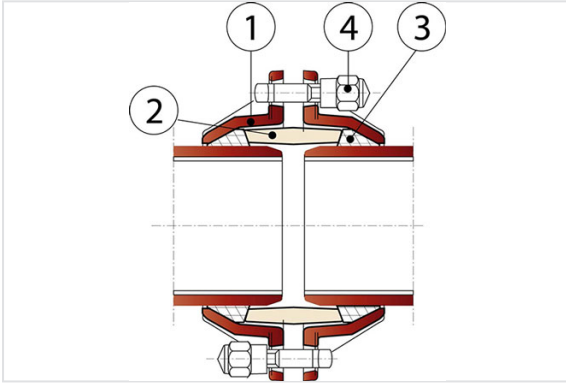


Sewage GGS coupling DN80-600



DN (mm)	PFA	ØDE mini (mm)	ØDE maxi (mm)	Approx. L (mm)	L1 (mm)	ØE (mm)	Mass (kg)	References
80	40 bar	97	100	127	60	213	4.90	TXA80MG
100	40 bar	117	120	133	65	233	6.60	TXB10MG
125	25 bar	143	146	140	70	259	7.56	TXB12MG
150	25 bar	168	172	145	75	287	8.80	TXB15MG
200	25 bar	220	223	153	80	342	12.78	TXB20MG
250	25 bar	272	275	164	90	403	18.14	TXB25MG
300	25 bar	323	327	170	95	457	22.92	TXB30MG
350	16 bar	375	379	183	100	511	29.00	TXB35MG
400	16 bar	426	430	185	100	564	34.77	TXB40MG
450	16 bar	477	481	192	105	617	39.74	TXB45MG
500	16 bar	529	533	193	105	671	47.80	TXB50MG
600	16 bar	631	636	200	110	777	61.25	TXB60MG

Materials and coatings



Item	Designation	Materials	Coatings
1	Mating ring	Ductile iron GS	Red Epoxy 250 µm
2	Ring	Ductile iron GS	Red Epoxy 250 µm
3	Gasket	Elastomer NBR	
4	Bolts DN40-500	Ductile iron GS	Galvanization + parkerization + black cataphoresis
	Bolts DN600	Steel class 6/8	Dacromet

Installation

Angular deflection:

- DN40-150 ± 2,5°
- DN200-300 ± 2°
- DN350-600 ± 3°

Maximum torque on bolts:

- DN40-200 8 m/daN
- DN250-600 12 m/daN

Spare parts

Joint

DN	References
80	
100	
125	JGB12BB
150	JGB15BB

DN	References
200	JGB20BB
250	JGB25BB
300	JGB30BB
350	JGB35BB
400	
450	
500	
600	

Bolts - Screwed nuts with key of 24

DN	Number	Iron bolt	References
40	2	18X61X25	JXM18HN61
50	2	18X61X25	JXM18HN61
60	2	18X61X25	JXM18HN61
80	2	18X61X25	JXM18HN61
100	4	18X61X25	JXM18HN61
125	4	18X61X25	JXM18HN61
150	4	18X61X25	JXM18HN61
200	64	18X61X25	JXM18HN61

Bolts - Screwed nuts with key of 27

DN	Number	Iron bolt	References
250	6	20X71X33.5	JXM20HN71
300	6	20X71X33.5	JXM20HN71
350	6	20X71X33.5	JXM20HN71
400	8	20X71X33.5	JXM20HN71

Bolts - Screwed nuts with key of 30

DN	Number	Iron bolt	References
450	8	HM 20 DE 110X55	JXM20NN110
500	10	HM 20 DE 110X55	JXM20NN110
600	10	HM 20 DE 120X60	JXM20HD120



LINK COUPLINGS, ADAPTORS, SLEEVES DN 80 - 600

06/06/2026
SILMN22XXX010

The information on this sketch is, to the best of our knowledge correct at the time of printing. However Saint-Gobain are constantly looking at ways of improving their products and services therefore reserve the right to change without prior notice, any of the data shown. Any orders placed will be subject to our Standard Conditions of Sale, available on request.