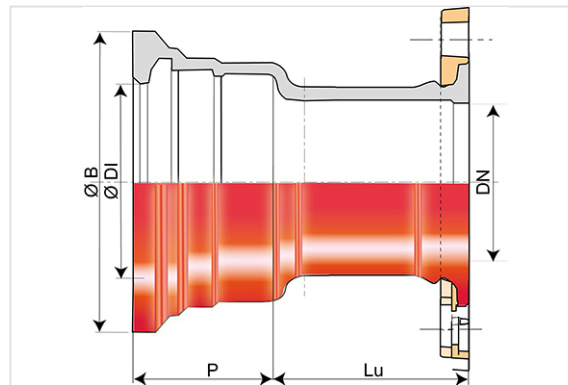


Flange Socket INTEGRAL with socket STANDARD (and Rotatable Flange or Fixed Flange)

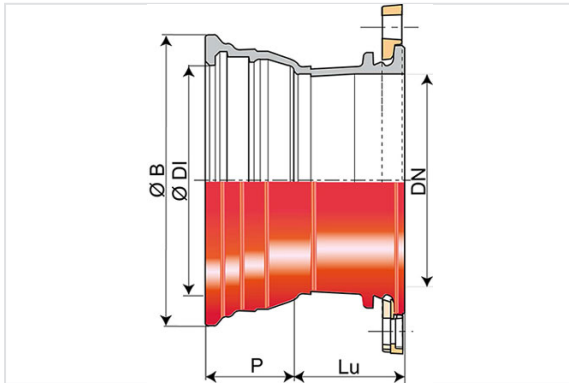
DN80-300



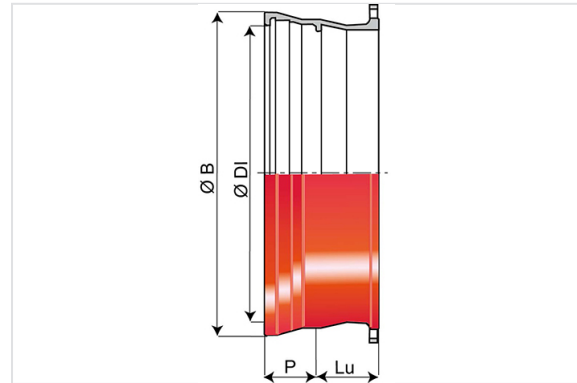
DN (mm)	Lu (mm)	P (mm)	ØDI (mm)	ØB (mm)	PN 10		PN 16	
					Mass (kg)	References	Mass (kg)	References
80	110	85	101	167.5	7.40	TSA80BE1	7.40	TSA80BE1
100	110	88	121	187.5	8.90	TSB10BE1	8.90	TSB10BE1
125	110	91	147	214.5	11.30	TSB12BE1	11.30	TSB12BE1
150	115	94	173	241	14.10	TSB15BE1	14.10	TSB15BE1
200	120	100	225	294	20.80	TSB20BE1	20.70	TSB20BE2
250	125	105	277	351	31.80	TSB25BE1	30.90	TSB25BE2
300	130	110	329	408	42.80	TSB30BE1	42.10	TSB30BE2
350	135	110	381.4	464.3	59.00	TSB35BE1	59.80	TSB35BE2
400	140	112	432.4	515.3	65.00	TSB40BE1	68.80	TSB40BE2
450	145	115.5	483.5	573	82.00	TSB45BE1	88.00	TSB45BE2
500	170	117.5	535.5	628	85.00	TSB50BE1	98.20	TSB50BE2
600	170	132.5	638.6	737	124.00	TSB60BE1	149.00	TSB60BE2
700	190	150	742.2	861	161.00	TSB70BE1	166.00	TSB70BE2
800	200	160	846.3	972	211.00	TSB80BE1	220.00	TSB80BE2
900	210	175	949.4	1080	258.00	TSB90BE1	268.00	TSB90BE2
1000	220	185	1052.5	1189	342.00	TSC10BE1	342.00	TSC10BE2

* Standard joint included

DN350-600



DN700-1000



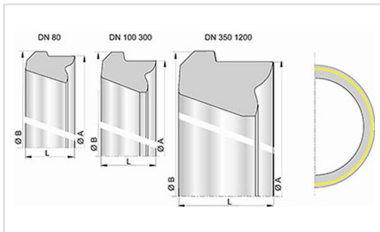
Field of use:

- Separate sewer system and combined sewer system
- Application: gravity flow and rising main sewerage systems
- Type of effluent: domestic wastewater and rainwater
- For networks with rising main under pressure
- For effluents between pH1 and pH13

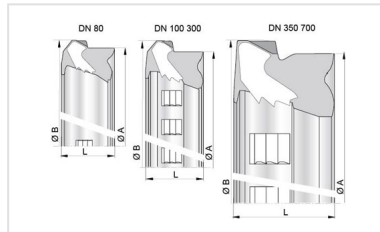
Main characteristics:

- External and internal coating: red epoxy powder 250µm (PECR)
- Type of joint: Standard
- Standard Gasket in Nitrile
- EN 598 / CE Marking
- Declaration of performances [DoP-INTEGRAL005EN](#)
- Mark NF
- Designed according to the regulatory texts:
 - NF EN 476: general prescriptions for components used in the networks
 - NF EN 752: Conception of sewage projects
 - NF EN 1610: Reception of the works
 - CCTG: Fascicule 70 (sewage work)

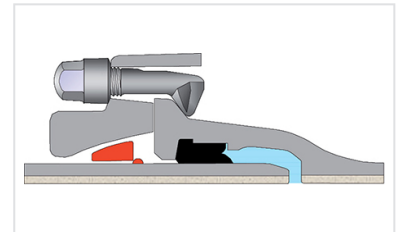
Linked products



**Nitrile STD Gasket
DN80-2000**



**Gasket ViLoK® (NBR STD
Vi) DN80-700**



**STD Ve joint for INTEGRAL
STD Fittings**

The information on this sketch is, to the best of our knowledge correct at the time of printing. However Saint-Gobain are constantly looking at ways of improving their products and services therefore reserve the right to change without prior notice, any of the data shown. Any orders placed will be subject to our Standard Conditions of Sale, available on request.