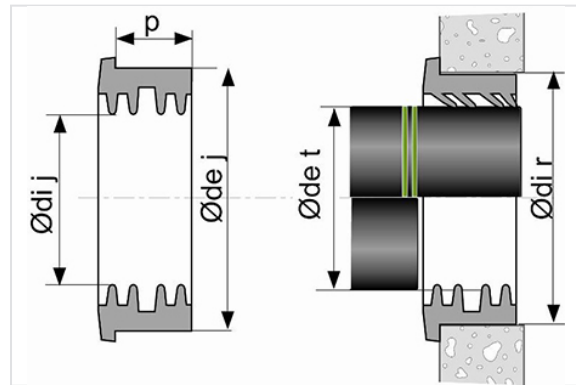
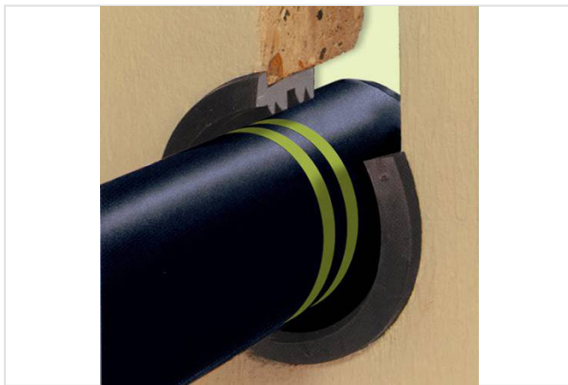


## Gasket for connection to concrete manhole covers DN350-800



DN (mm)	Ø outside de j (mm)	Ø inside di j (mm)	Anchura p (mm)	Ø ext. de t (mm)	Ø int. di r (mm)	Mass (kg)	References
350	435	371	50	376.8	420 ±2	1.90	PBB35R
400	472	426	50	427.7	456 ±2	2.10	PBB40R
450	532	486	50	478.6	510 ±2	2.40	PBB45R
500	590	538	50	530.5	564 ±1.5	2.15	PBB50R
600	690	638	50	633.3	671 ±2	3.00	PBB60R
700	796	744	50	736.6	771 ±2	3.40	PBB70R
800	916	864	50	840.4	874 ±2	4.00	PBB80R

For DN600, 700 and 800, we strongly recommend to carry out connection with rods (cuts of pipes) of 1 meter length. It is also recommended to use collars with standard joints in DN > 800.

### Field of use:

- Separate sewer system
- Application: gravity flow
- Type of effluent: rainwater
- Perfectly watertight

### Main characteristics:

- Joint in SBR
- Elastomer WC type according to EN 681-1
- Supplied in red-brown polyethylene bags

*The information on this sketch is, to the best of our knowledge correct at the time of printing. However Saint-Gobain are constantly looking at ways of improving their products and services therefore reserve the right to change without prior notice, any of the data shown. Any orders placed will be subject to our Standard Conditions of Sale, available on request.*