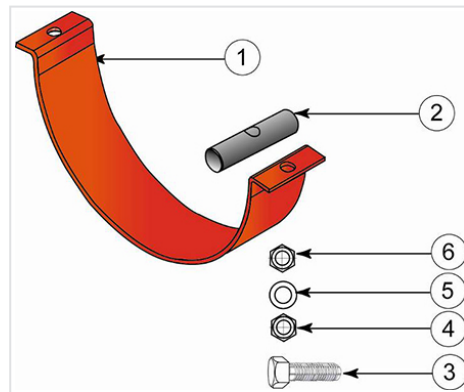
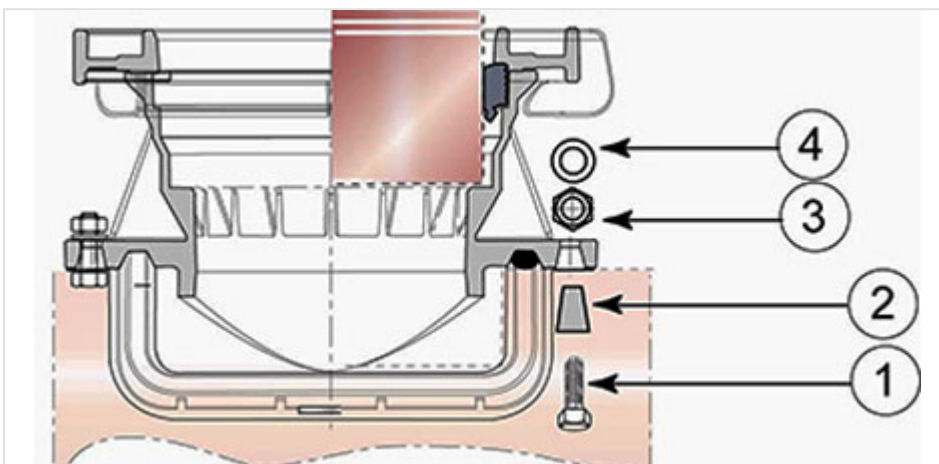


Fixing Stirrup for Saddle branch

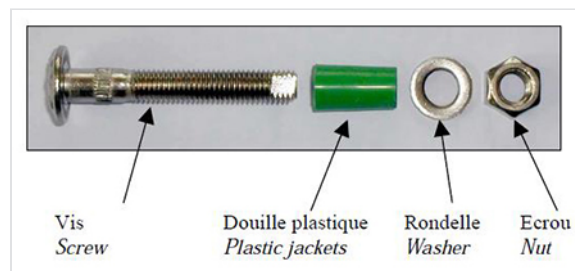


Item	Designation	Material
1	Stirrup	Galvanised steel (ISO 1461)+ RER
2	Cylindrical bracket	Galvanised steel C35 (NF A 47-401) (ISO 1461)
3	Screw HM 10 X 115	Galvanised steel class 6-8 (ISO 1461)
4	Nut HM M10	Galvanised steel class 6-8 (ISO 1461)
5	Washer L 10 N	Galvanised steel class 6-8 (ISO 1461)
6	Nut HM M10	Galvanised steel class 6-8 (ISO 1461)

Alternative with bolt set (SAP reference 143048)



Item	Designation	Material
1	Screw HM 10 X 115	Stainless steel X2 CrNiMoN 17-13-3 (EN 10088-3)
2	Plastic jacket	TPE (Elastomeric Thermo Plastic)
3	Nut HM M10	Stainless steel (X5CrNi 18-10), Dacromet 500
4	Washer M 10	Stainless steel



The information on this sketch is, to the best of our knowledge correct at the time of printing. However Saint-Gobain are constantly looking at ways of improving their products and services therefore reserve the right to change without prior notice, any of the data shown. Any orders placed will be subject to our Standard Conditions of Sale, available on request.