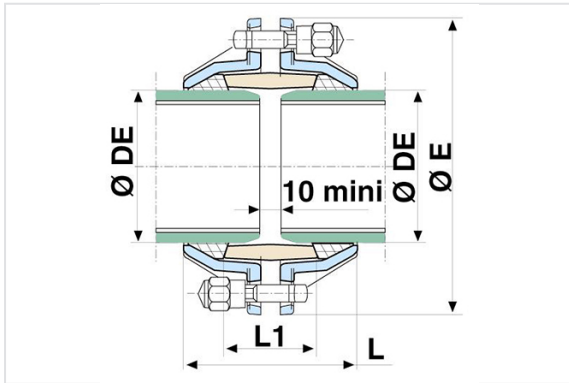


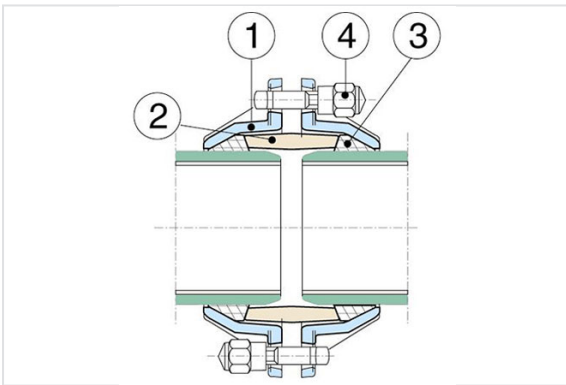
## LINK GS



DN (mm)	PFA	ØDE mini (mm)	ØDE maxi (mm)	L (mm)	ØE (mm)	L1 (mm)	Mass (kg)	References
40	40 bar	55	58	126	168	60	3.26	160280
50	40 bar	65	68	127	178	60	3.62	MCA50KAEH
60	40 bar	76	79	127	191	60	4.00	MCA60KAEH
80	40 bar	97	100	127	213	60	4.80	MCA80KAEH
100	40 bar	117	120	133	233	65	6.18	MCB10KAEH
125	25 bar	143	146	140	259	70	7.60	MCB12KADH
150	25 bar	168	172	145	287	75	9.60	MCB15KADH
200	25 bar	220	223	153	342	80	14.00	MCB20KADH
250	25 bar	272	275	164	403	90	18.10	MCB25KADH
300	25 bar	323	327	170	457	95	22.20	MCB30KADH
350	16 bar	375	379	183	511	100	28.30	MCB35KAAH
400	16 bar	426	430	185	564	100	33.40	MCB40KAAH
450	16 bar	477	481	192	617	105	37.90	MCB45KAAH
500	16 bar	529	533	193	671	105	45.60	MCB50KAAH
600	16 bar	631	636	200	777	110	58.60	MCB60KAAH



### Material and coatings



Item	Designation	Materials	Coatings
1	Mating ring	Ductile iron GS	Blue epoxy powder 250 microns average thickness with a minimum of 200 microns, conforming to EN 14901-1 (PECB)
2	Ring	Ductile iron GS	Blue epoxy powder 250 microns average thickness with a minimum of 200 microns, conforming to EN 14901-1 (PECB)
3	Gasket	Elastomer EPDM	
4	Bolts - DN40-400	Ductile iron GS	Dacromet 320 Grade B
	Bolts - DN500-600	Steel class 6/8	Zinc

## Installation

### Angular deflection

DN 40-150  $\pm 2,5^\circ$  DN 200-300  $\pm 2^\circ$  DN 350-600  $\pm 3^\circ$

### Maximum torque on bolts

DN 40-200 8 m/daN DN 250-600 12 m/daN

## Spare parts

### Bolts

DN	Number	References	Dimensions	Material	Size of key
40	2	JXM18HN61	18X61X25	Fonte GS / GS Iron / Fundición GS	24
50	2	JXM18HN61	18X61X25	Fonte GS / GS Iron / Fundición GS	24
60	2	JXM18HN61	18X61X25	Fonte GS / GS Iron / Fundición GS	24
80	2	JXM18HN61	18X61X25	Fonte GS / GS Iron / Fundición GS	24
100	4	JXM18HN61	18X61X25	Fonte GS / GS Iron / Fundición GS	24
125	4	JXM18HN61	18X61X25	Fonte GS / GS Iron / Fundición GS	24
150	4	JXM18HN61	18X61X25	Fonte GS / GS Iron / Fundición GS	24
200	4	JXM18HN61	18X61X25	Fonte GS / GS Iron / Fundición GS	24
250	2	JXM20HN71	20X71X33.5	Fonte GS / GS Iron / Fundición GS	27
300	2	JXM20HN71	20X71X33.5	Fonte GS / GS Iron / Fundición GS	27
350	2	JXM20HN71	20X71X33.5	Fonte GS / GS Iron / Fundición GS	27
400	2	JXM20HN71	20X71X33.5	Fonte GS / GS Iron / Fundición GS	27
450	2	JXM20NN110	HM 20 DE 110X55	Fonte GS / GS Iron / Fundición GS	30
500	2	JXM20NN110	HM 20 DE 110X55	Fonte GS / GS Iron / Fundición GS	30
600	2	JXM20HD120	HM 20 DE 120X60	Acier Dacromet / Steel Dacromet / Acero Dacromet	30

*The information on this sketch is, to the best of our knowledge correct at the time of printing. However Saint-Gobain are constantly looking at ways of improving their products and services therefore reserve the right to change without prior notice, any of the data shown. Any orders placed will be subject to our Standard Conditions of Sale, available on request.*