

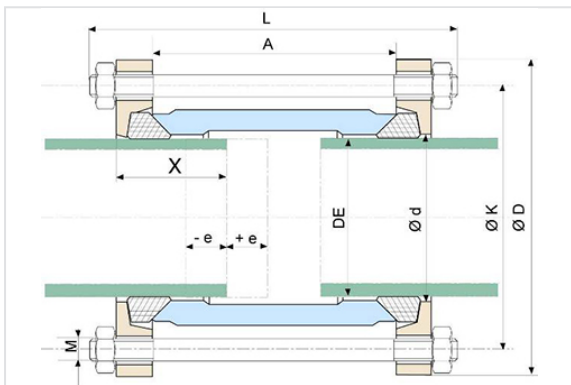
LINK GS PFA25 for ductile iron pipes



DN (mm)	ØDE (mm)	ØDE mini (mm)	ØDE maxi (mm)	L (mm)	D (mm)	A (mm)	X (mm)	Ød (mm)	Number of bolts	Bolts	Mass (kg)	References
50	66	64	67	170	155	96	40 -8/+8	70	4	M16x170	4.50	177078
60	77	75	78	190	165	96	40 -8/+8	86	4	M16x190	6.00	177077
80	98	96	99	190	185	96	40 -8/+8	101	4	M16x190	8.00	177076
100	118	115.5	119	210	220	96	40 -8/+8	123	4	M16x210	10.00	177075
125	144	141.5	145	210	240	96	40 -8/+8	149	4	M16x210	13.00	177074
150	170	177.5	171	210	270	96	40 -8/+8	174	4	M16x210	15.00	177073
200	222	219.5	223	210	315	96	40 -8/+8	226	6	M16x210	21.00	177072
250	274	269	276	230	375	116	50 -8/+8	278	6	M16x230	25.00	177071
300	326	321	328	230	425	116	50 -8/+8	330	6	M16x230	34.00	177070
350	378	373	380	250	485	134	50 -15/+15	382	8	M16x250	42.00	163980
400	429	424	431	250	535	134	50 -15/+15	433	8	M16x250	50.00	164000
450	480	475	482	250	595	134	50 -15/+15	484	8	M16x250	55.00	177457
500	532	527	534	250	635	154	55 -15/+15	536	10	M16x250	62.00	164027
600	635	629	638	290	760	174	60 -15/+15	641	12	M20x290	104.00	164044
700	738	732	741	290	865	174	70 -15/+15	744	12	M20x290	120.00	164058

DN (mm)	ØDE (mm)	ØDE mini (mm)	ØDE maxi (mm)	L (mm)	D (mm)	A (mm)	X (mm)	Ød (mm)	Number of bolts	Bolts	Mass (kg)	References
800	842	835	844	320	965	204	70 -20/+20	847	16	M20x320	150.00	160781
900	945	938	947	320	1075	204	80 -20/+20	950	16	M20x320	160.00	164079
1000	1048	1041	1050	340	1175	220	80 -20/+20	1053	16	M20x340	195.00	163790
1100	1151	1144	1153	430	1290	300	80 -20/+20	1156	20	M24x430	200.00	*
1200	1255	1247.5	1258	450	1405	300	100 -30/+30	1262	20	M24x450	245.00	163804
1400	1462	1454.5	1465	450	1620	300	110 -30/+30	1470	24	M27x450	468.00	163814
1500	1565	1557	1567.5	460	1715	315	120 -30/+30	1572	24	M27x460	440.00	163823
1600	1668	1660	1670.5	450	1830	315	120 -30/+30	1675	28	M27x450	450.00	163828
1800	1875	1864.5	1877	530	2050	380	140 -40/+40	1882	30	M30x530	665.00	177079
2000	2082	2072.5	2083	530	2260	380	140 -40/+40	2088	32	M30x530	740.00	177080

(*) contact us



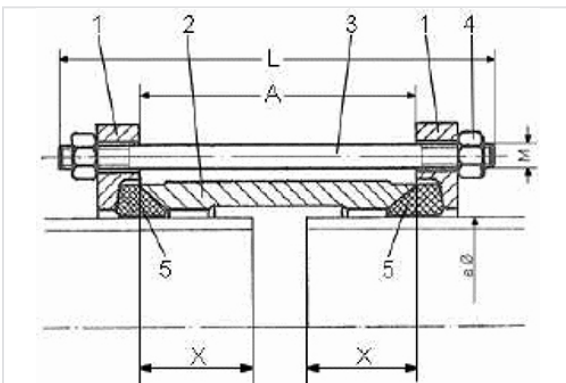
Installation

- DE margin for assembly pipe: see table Dimensions DE ± (margin for not ovalized pipe). Check that the pipe, to input in the Link, is not ovalized more than 3mm and that the DE dimension with ovalization is not out of the margin. If not it is necessary to proceed re-rounding pipe (see catalogue WATER MAINS for DUCTILE IRON PIPES and FITTINGS)
- Possible adjustment: dimension X ± e (50mm DN 300-2000)

- Angular deflection in degree + or - 2 degrees

Warning: this coupling will only be installed in a valve chamber. Do not install it in buried version

Assembly and start up



Description

The coupling type PS allows the assembly of two spigots

Transport

The transport of the pieces must be done professionally in order to avoid damages on the material.

Storing

The coupling must be protected from bad weather and pollution. During a long storage period a protection against UV is necessary.

Assembling in the pipe network

It is necessary to control that the pieces (pipes) to be connected are clean and not damaged.

Assembly

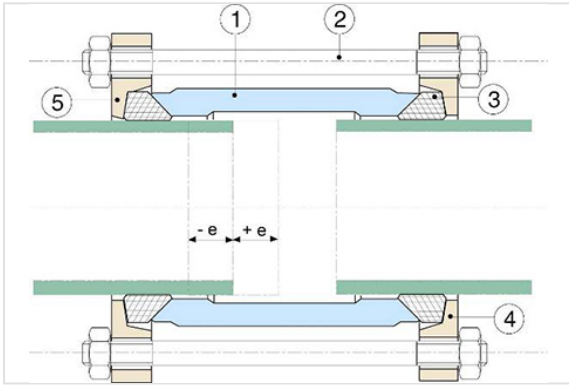
- To remove the two tightening rings and the tightening seals.
- It is necessary to write the measurement X on the spigot.
- The tightening flanges (1) and the tightening seals (5) slip on the pipes spigots.
- To position the coupling type PS (2) in the space between the two spigots by respecting distance X on the two sides.
- The assembly joint-pipe-joint will be perfectly centered compared to the two spigots to be connected.
- To bring closer the two tightening flanges (1) as well as the two tightening seals (5) towards the pipe of the coupling (2) by centering them.
- To tighten in cross of the tie rods so that centering is optimal to obtain homogeneous tightening.
- Tightening must be progressive to obtain the required tightening torque.

- The coupling is then ready for operation.

Measurement X for PS	
DN	Measurement X (mm)
100	40
125	40
150	40
200	40
250	50
300	50
350	50
400	50
500	55
600	60
700	60
800	70
900	70
1000	70
1200	100
1300	100
1400	100
1500	100
1600	100

Tightening torque	
Tie rods	Nm
M16	55 ±4
M20	110 ±10
M24	190 ±10
M27	280 ±15
M30	380 ±20

Material and coatings



Item	Description	Material	Coating
1	Body	Stainless EN 10025 S235JRG2	Blue epoxy powder 250 microns average thickness with a minimum of 200 microns, conforming to EN 14901-1 (PECB)
2	Rods, Washers	Stainless EN 10025 S235JRG2 or S335J2G3 Class 6/8	Zinc
3	Sealing Ring	Elastomer type EPDM	
4 and 5	Flange Ring	Stainless EN 10025 S235JRG2	Blue epoxy powder 250 microns average thickness with a minimum of 200 microns, conforming to EN 14901-1 (PECB)

The information on this sketch is, to the best of our knowledge correct at the time of printing. However Saint-Gobain are constantly looking at ways of improving their products and services therefore reserve the right to change without prior notice, any of the data shown. Any orders placed will be subject to our Standard Conditions of Sale, available on request.