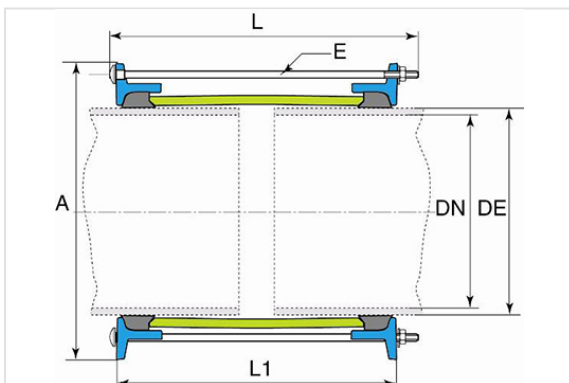


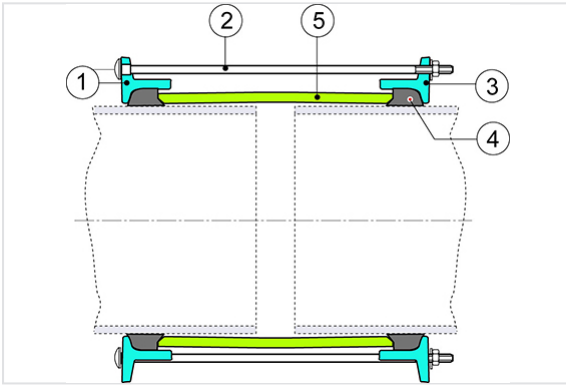
## LINK PFA16 for ductile iron pipes



DN (mm)	ØDE (mm)	ØDE mini (mm)	ØDE maxi (mm)	A (mm)	L (mm)	Number of bolts	Bolts (E)	Mass (kg)	References
350	378	372.5	380.5	469	184	8	M12x243	21.20	MCB35WAAR
400	429	423.5	431.5	520	184	8	M12x243	23.70	MCB40WAAR
450	480	476	482.9	571.5	184	10	M12x243	26.20	MCB45WAAR
500	532	527.5	535.5	624	184	10	M12x243	29.20	MCB50WAAR
600	635	630	638	726.5	184	10	M12x243	34.20	MCB60WAAR
700	738	733.5	741.5	830	184	12	M12x243	39.60	MCB70WAAR
800	842	835	843	931.5	184	12	M12x243	45.00	MCB80WAAR
900	945	939	947	1054	222	14	M16x276	88.30	MCB90WAAR
1000	1048	1041	1049	1156	222	14	M16x276	96.80	MCC10WAAR

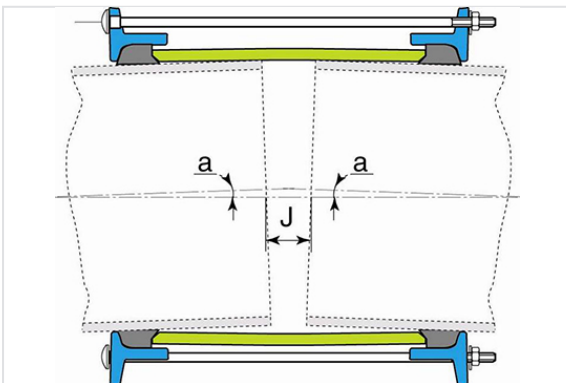


### Material and coatings



Item	Designation	Materials	Coatings
1 and 3	Flange	Steel E28 type	Black Rilsan 250 microns mini
2	Screws and bolts	Steel class 8.8	Sheraplex
4	Gasket	EPDM	
5	Distance sleeve	Steel E28 type	Black Rilsan 250 microns mini

### Installation



DN mm	J mini mm	J maxi mm	Angular deflection a degree
350	25	50	±1.5
400	25	50	±1.5
450	25	50	±1.5
500	25	50	±1.25
600	25	50	±1.25

DN mm	J mini mm	J maxi mm	Angular deflection a degree
700	25	50	±1
800	25	50	±0.75
900	38	76	±0.75
1000	38	76	±0.75

(\*) J maxi is given including maxi angular deflection (a) on the 2 pipes

Maximum torque on gland: M12: 55 to 65 Nm - M16: 95 to 115 Nm

**Warning:** This coupling will only be installed in a valve chamber. Do not install it in buried version

*The information on this sketch is, to the best of our knowledge correct at the time of printing. However Saint-Gobain are constantly looking at ways of improving their products and services therefore reserve the right to change without prior notice, any of the data shown. Any orders placed will be subject to our Standard Conditions of Sale, available on request.*